

**PNEUMATIC CONTROL VALVES  
PPV25I – ON-OFF (Complete stainless steel)  
(DN ½” – 1”)**

**(V25I globe valves series with PP series linear piston actuators)**

**DESCRIPTION**

The PPV25I on-off valves are single seated, two-way body constructed with in-line straight connections. The PPI pneumatic actuator is of the piston type. Their wide application ranges allows the use of this valve with the most common process fluids such as water, superheated water, steam, air, gas and other fluids.

**MAIN FEATURES**

- Single seated, two ways, direct or reverse action valve.
- Soft sealing as standard.
- Actuator housing 360° rotation (clockwise).



<b>OPTIONS:</b> Air filter regulator Normally open and double effect version. Inductive travel switch Pilot solenoid valves	<b>MAX. AIR SUPPLY PRESSURE:</b> 8 bar <b>AMBIENT TEMPERATURE:</b> -20°C ...+70°C
<b>USE:</b> Saturated and superheated steam. Hot and superheated water. Air, gases and other noncorrosive fluids.	<b>BONNET :</b> From -5°C to +220°C (standard) <b>STEM SEALING:</b> PTFE/GR V-Rings - up to 220°C (Standard bonnet)
<b>AVAILABLE MODELS:</b> PPV25I - Stainless steel	<b>PLUG DESIGN:</b> PT - On-off
<b>VALVE SIZES:</b> DN 1/2" to 1"	<b>PORT:</b> Full port as standard

**CONNECTIONS:** Threaded ISO or ANSI

**ACTUATORS:** PPI-63 ( Stainless steel )

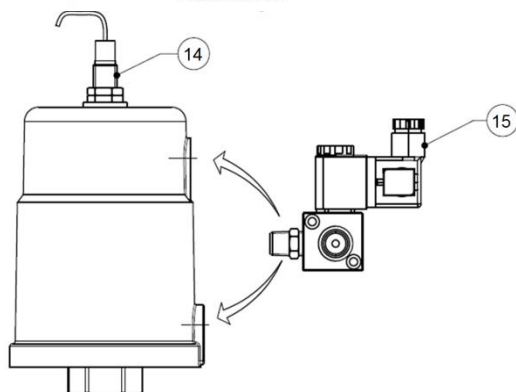
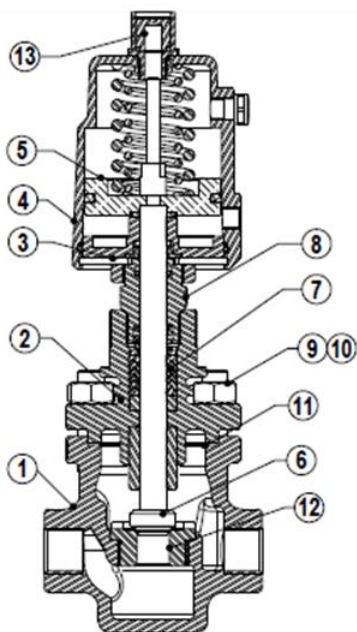
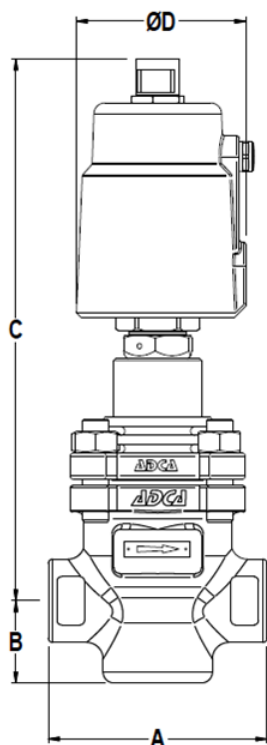
**ACTUATOR CONNECTIONS:** G1/8" NPT

**AIR SUPPLY:** 5 - 8 bar

VALVE BODY LIMITING CONDITIONS	
V25I - PN25 *	
ALLOWABLE PRESSURES	RELATED TEMP.
25 bar	-10 /50° C
21 bar	200 °C
19,8 bar	250 °C
18,5 bar	300 °C

Note: Maximum temperature limited to the valve packing selected. Valves with soft seat , maximum allowable temperature : 200°C  
 \* Rating according to EN 1092-1:2007

CE MARKING (PED - European Directive 97/23/EC)	
PN 25	Category
DN 1/2" to 1"	SEP - art. 3, paragraph3



MAX. PERMISSIBLE PRESS.DROP IN bar - Normally closed valve (fluid to open) - Reverse action actuator (air signal to open)			
ACTUATOR	SIZES		
	DN 1/2"	DN 3/4"	DN 1"
	Kvs 5,2	Kvs 7,3	Kvs 11,7
PPI-63	21	18	8
PPI-90	25	25	24

Kvs in m<sup>3</sup>/h , see data sheet IS PV10.00 E ;  
For conversion Kvs = Cv(US) x 0,855

DIMENSIONS ( mm )					
DN	A	B	C	Ø D	WEIGHT Kgs
1/2"	100	37,5	250	75	3,9
3/4"	100	37,5	250	75	3,9
1"	100	37,5	250	75	4,9

MATERIALS		
POS.	DESIGNATION	MATERIAL PPV25I
1	Valve body	CF8M / 1.4408
2	Bonnet	CF8M / 1.4408
3	Actuator flange	CF8 / 1.4308
4	Actuator cover	CF8 / 1.4308
5	Piston	Aluminium
6	* Valve plug	1.4401 / PTFE-GR
7	* Packing	PTFE / GR
8	Gland nut	AISI 316 / 1.4401
9	Studs	A4 - 70
10	Nuts	A4 - 70
11	Gasket	St.Steel / Graphite
12	Seat	AISI 316 / 1.4401
13	Indication stem	Plastic
14	** Travel switch	Metal
15	** SV32C valve	Aluminium alloy

\* Available spare parts.  
\*\* Optional.

### TRAVEL SWITCH

The travel switch provides an electrical signal that indicates either the open or closed position of the valve. This signal is given by a non-contact electronic inductive proximity sensor.



**ORDERING CODES PPV25I**

VALVE CODES		PPV	.25I				.X.	
<b>Group Designation</b>								
Pneumatic on-off valve		PPV						
<b>Valve Model</b>								
ASTMA216 WCB body, stainless steel trim			.25I					
<b>Valve Plug</b>								
PT (on-off) - Soft (PTFE/GR)				9				
PT (on-off) - Metal AISI316 / 1.4401				10				
<b>Pipe Connection</b>								
Threaded BSP ISO 7/1 Rp					A			
Threaded NPT ANSI B1.20.1					C			
<b>Size</b>								
DN 1/2"						15		
DN 3/4"						20		
DN 1"						25		
<b>Fluid Direction</b>								
Normally closed valve, fluid enter above the seat							A	
Normally closed valve, fluid enter below the seat							B	
<b>Actuator</b>								(1)
<b>Extras (3)</b>								E

**ACTUATOR CODES ( pneumatic )**

		PI.			
<b>Group Designation</b>					
Piston linear actuator		PI.			
<b>Actuator Size</b>					
Piston pneumatic actuator PPI 63			.63		
Piston pneumatic actuator PPI 90			.90		
<b>Actuator Type</b>					
Direct action (air to close)				.D	
Reverse action (air to open)				.R	
<b>Actuator Construction</b>					
Stainless steel					(2)

→ To be introduced on ".X.", if supplied in combination with the valve.

- (1)- Indicate actuator type.
- (2)- Omitted if the standard actuator is selected.
- (3)- To be used only when a non-standard combination valve is supplied