

## PNEUMATIC CONTROL VALVES PPV25 – ON-OFF

(V25 globe valves series with PPI series linear piston actuators)

### DESCRIPTION

The PPV25 on-off valves are single seated, two-way body constructed with in-line straight connections. The PPI pneumatic actuators are of the piston type. Their wide application ranges allows the use of this valve with the most common process fluids such as water, superheated water, steam, air, gas and other fluids.

### MAIN FEATURES

- Single seated, two ways, direct or reverse action valve.
- Soft sealing as standard.
- Actuator housing 360° rotation (clockwise).



**OPTIONS:** Air filter regulator  
Stainless steel construction.  
Normally open and double effect version.  
Inductive travel switch  
Pilot solenoid valves

**USE:** Saturated and superheated steam.  
Hot and superheated water.  
Air, gases and other noncorrosive fluids.

### AVAILABLE

**MODELS:** PPV25G - Nodular iron  
PPV25I - Stainless steel

**VALVE SIZES:** DN15 to DN50

**CONNECTIONS:** Flanged EN1092-2 PN16 (PPV25G)  
Flanged EN1092-1 PN16 (PPV25I)

**ACTUATORS:** PPI-63 , PPI-90 (Stainless steel)

**AIR SUPPLY:** 5 - 8 bar

**ACTUATOR CONNECTIONS:** PPI-63 G1/8" NPT; PPI-90 G1/4" NPT

FLOW RATE COEFFICIENTS							
Kvs	SIZES						
	DN15	DN20	DN25	DN32	DN40	DN50	
	5,2	7,3	11,7	18	27	43	

VALVE BODY LIMITING CONDITIONS			
PPV25G		PPV25I	
Press.	Temp.	Press.	Temp.
16 bar	-10 / 120°C	16 bar	-10 / 100°C
15,5 bar	150°C	14,5 bar	150°C
14,7 bar	200°C	13,4 bar	200°C
13,9 bar	250°C	12,7 bar	250°C
12,8 bar	300°C	11,8 bar	300°C

Note: Maximum temperature limited to the valve packing selected.  
Valves with soft seat , maximum allowable temperature : 200°C

### MAX. AIR SUPPLY

**PRESSURE:** 8 bar

**AMBIENT TEMPERATURE:** -20°C ...+70°C

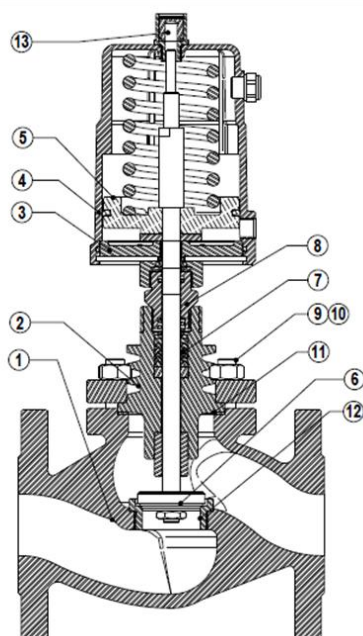
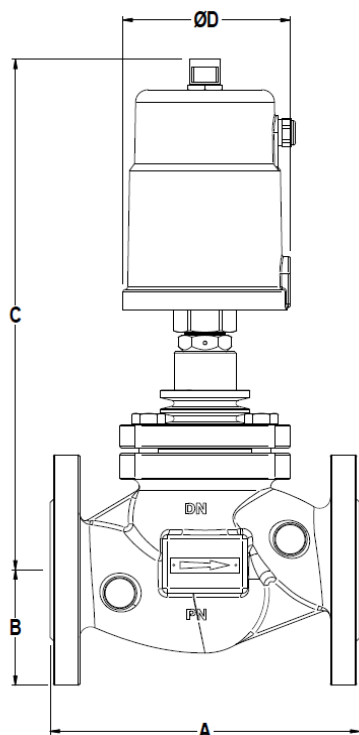
**BONNET :** From -5°C to +220°C (standard)

**STEM SEALING:** PTFE/GR V-Rings - up to 220°C (Standard bonnet)

**PLUG DESIGN:** PT - On-off

**PORT:** Full port

CE MARKING (PED - European Directive 97/23/EC)	
PN 16	Category
DN15 to DN50	SEP - art. 3, paragraph3



MAX. PERMISSIBLE PRESS.DROP IN bar							
Normally closed valve (fluid to open)							
Reverse action actuator (air signal to open)							
ACT. Type	AIR PRESSURE	SIZES					
		DN15	DN20	DN25	DN32	DN40	DN50
PPI-63	5 - 8 bar	18	18	8	4	3	-
PPI-90	5 - 8 bar	-	-	24	18	13	9

Note: Waterhammer free design.

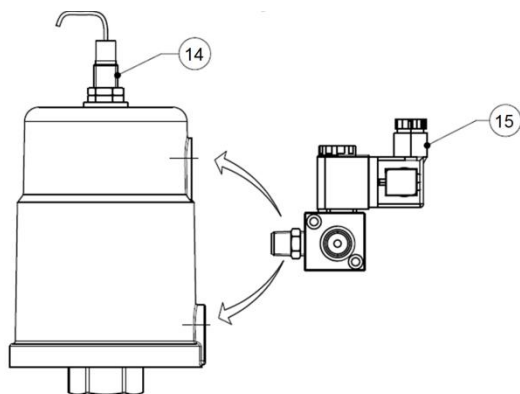
MAX. PERMISSIBLE PRESS.DROP IN bar							
Normally closed valve (fluid to close)							
Reverse action actuator (air signal to open)							
ACT. Type	AIR PRESSURE	SIZES					
		DN15	DN20	DN25	DN32	DN40	DN50
PPI-63	5 - 8 bar	16	16	16	-	-	-
PPI-63	6 - 8 bar	16	16	16	16	-	-
PPI-63	7 - 8 bar	16	16	16	16	16	10
PPI-90	5 - 8 bar	-	-	-	16	-	-
PPI-90	6 - 8 bar	-	-	-	16	16	-
PPI-90	7 - 8 bar	-	-	-	16	16	16

Note: not recommended when controlling liquids at high speed due to waterhammer occurrence.

DIMENSIONS (mm)								
DN	A	B	Actuator PPI-63		Actuator PPI-90		WHT. Kgs w/PPI63	WHT. Kgs w/PPI90
			C	Ø D	C	Ø D		
15	130	48	250	75	300	110	3,7	5,2
20	150	53	250	75	300	110	4,5	6
25	160	58	250	75	300	110	5,5	7
32	180	70	270	75	325	110	7	8,5
40	200	75	280	75	330	110	9,7	11,2
50	230	83	290	75	340	110	11,7	13,2

MATERIALS			
POS.	DESIGNATION	MATERIAL PPV25G	MATERIAL PPV25I
1	Valve body	GJS-400-15 / 0.7040	CF8M / 1.4408
2	Bonnet	CF8M / 1.4408	CF8M / 1.4408
3	Actuator flange	CF8 / 1.4308	CF8 / 1.4308
4	Actuator cover	CF8 / 1.4308	CF8 / 1.4308
5	Piston	Aluminium	Aluminium
6	* Valve plug	1,4401 / PTFE/GR	1.4401 / PTFE-GR
7	* Packing	PTFE / GR	PTFE / GR
8	Gland nut	AISI 316 / 1.4401	AISI 316 / 1.4401
9	Studs	34CrNiMo6 / 1.6582	A4 - 70
10	Nuts	Steel 8.8	A4 - 70
11	Gasket	St.Steel / Graphite	St.Steel / Graphite
12	Seat	AISI 316 / 1.4401	AISI 316 / 1.4401
13	Indication stem	Plastic	Plastic
14	** Travel switch	Metal	Metal
15	** SV32C valve	Aluminium alloy	Aluminium alloy

\* Available spare parts.


**TRAVEL SWITCH**

The travel switch provides an electrical signal that indicates either the open or closed position of the valve. This signal is given by a non-contact electronic inductive proximity sensor.

**ORDERING CODES PPV25**

VALVE CODES		PPV					.X.	
<b>Group Designation</b>								
Pneumatic on-off valve		PPV						
<b>Valve Model</b>								
GJS-400-15 body, stainless steel trim			.25G					
ASTM A216 WCB body, stainless steel trim			.25I					
<b>Valve Plug</b>								
PT (on-off) - Soft (PTFE/GR)				9				
PT (on-off) - Metal AISI316 / 1.4401				10				
<b>Pipe Connection</b>								
Flanged EN1092 PN16					L			
<b>Size</b>								
DN 15						15		
DN 20						20		
...								
<b>Fluid Direction</b>								
Normally closed valve, fluid enter above the seat							A	
Normally closed valve, fluid enter below the seat							B	
<b>Actuator</b>								(1)
<b>Extras (3)</b>								E

**ACTUATOR CODES ( pneumatic )**

ACTUATOR CODES ( pneumatic )		PI.			
<b>Group Designation</b>					
Piston linear actuator		PI.			
<b>Actuator Size</b>					
Piston pneumatic actuator PPI 63			.63		
Piston pneumatic actuator PPI 90			.90		
<b>Actuator Type</b>					
Direct action (air to close)				.D	
Reverse action (air to open)				.R	
<b>Actuator Construction</b>					
Stainless steel					(2)

→ To be introduced on ".X.", if supplied in combination with the valve.

- (1)- Indicate actuator type.
- (2)- Omitted if the standard actuator is selected.
- (3)- To be used only when a non-standard combination valve is supplied