

## TEMPERATURE SENSORS TRPT1

### DESCRIPTION

The TRPT1 Pt100 resistance temperature sensors are specially designed for general industrial use. The sensing element is an RTD three wire device according to EN 60751 Class A.

The sensor consists of a probe, a connection head and measurement insert. The probe is made in austenitic stainless steel and the connection head is made of aluminium. The supply lines to the measurement insert are insulated from each other and from the probe tube with a ceramic insulator.

The sensor can be connected directly to a temperature indicator or controller that has a three wire Pt100 input.

### MAIN FEATURES

Head type B-KNE

Three wire sensing element

Fastest response time

Easy to install

**OPTIONS:**

- Special designs under request.
- Transmitter assembly 4-20mA output
- ATEX approved version
- Clamping connection hygienic sensor
- Higher operating limits
- Special design for air-temperature measurements

**USE:** Measurements in pipelines and containers

### AVAILABLE

**MODELS:** TRPT1 Simple sensor  
TRPT1T Sensor and transmitter

**PIPE CONN.:** 1/2"

**CONNECTIONS:** Male thread ISO7/1 Rp (BS21)

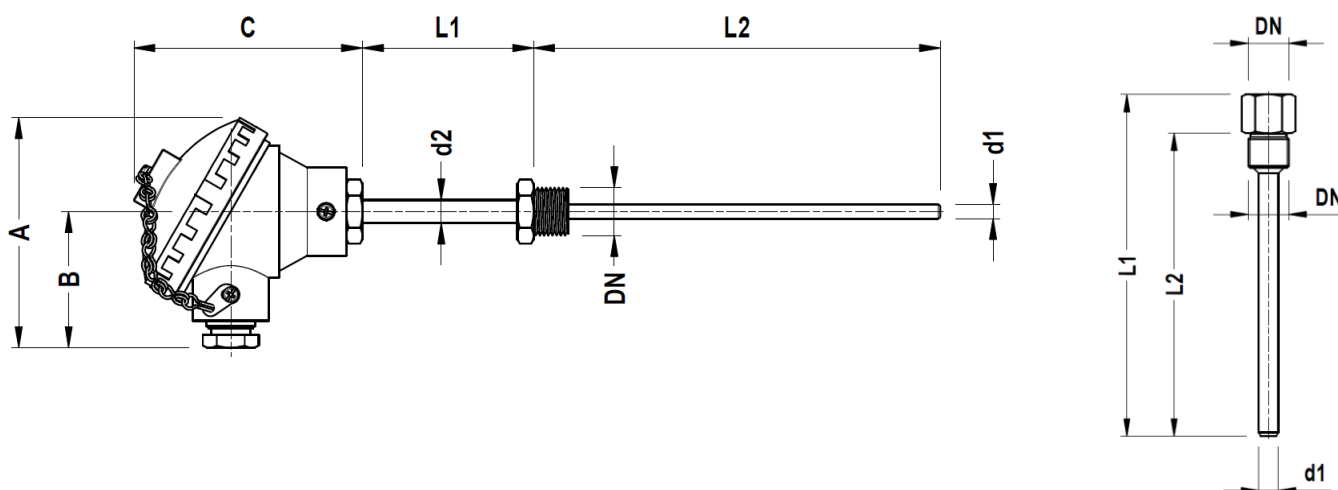
**INSTALLATION:** In any position



### APPLICATION LIMITS

Operating temperatures Class A	-10 to 300°C
Maximum operating conditions	36,5 bar @ 400°C
Ambient temperature	-20 to +80°C

TECHNICAL DATA		
Type	TRPT1	TRPT1T
Enclosure	KNE	KNE
Enclosure protection acc. to EN 60529: 1991/A1:20	IP66	IP66
Electrical connection	M20X1,5	M20X1,5
Available standard ranges	-10 to +300°C	-10 to +300°C other ranges programable
Output	Pt100 to EN 60751 - Class A	Loop powered 4 - 20 mA
Supply	/	10 to 30 Vdc
Maximum loop resistance	/	681 Ohm at 24 Vdc 954 Ohm at 30 Vdc
Transmitter - Thermal drift measurement deviation	/	Input: 0,06°C /10°C Output: 0,02% of span /10°C
Maximum values for connection of the current loop circuit ( connections + and - )	/	Uo = 30 Vdc Pi = 800 mW



DIMENSIONS (mm)														
Temperature sensor										Thermowell				
MODEL	A	B	C	L1	L2	DN	d1	d2	Wgt. Kg	DN	L1	L2	d1	Wgt. Kg
TRPT1-100	99	59	99	74	115	1/2"	6	10	0,47	1/2"	129	109	10	0,11
TRPT1-150	99	59	99	74	165	1/2"	6	10	0,48	1/2"	179	159	10	0,13

MATERIALS		
POS.	DESIGNATION	MATERIAL
1	Head	Aluminium alloy
2	Probe	AISI316L / 1.4404
3	Process connection	AISI316 / 1.4401
4	Thermowell (Pocket)	AISI316 / 1.4401

