

“ADCATROL” TEMPERATURE REGULATORS
SELF ACTING - NON BALANCED SIMPLE SEAT
TR25S forged steel valves & T series thermostats


DESCRIPTION

The series TR25 valves are designed for direct acting temperature control systems where the valve closes on temperature rising. They are single seat type in order to guarantee an excellent tightness and are to be coupled with the thermostats model T.205 and T.405. The liquid filling in the thermostat expands with a rise in the temperature thus operating the valve.

The valves are used for controlling the temperature in central heating systems, district heating systems and industrial plants.

Connections are female screwed.

MAIN FEATURES

Single seated, two way, direct action valve.

Leakage less than 0,05% of full Kv

Built-in strainer.

OPTIONS :

Valves for cooling applications.

USE:

Saturated and superheated steam.

Hot and superheated water.

AVAILABLE MODELS:

TR25S - Steel construction valve body

SIZES:

DN 1/2" - DN 1"

CONNECTIONS:

Female screwed ISO7/1Rp(BS 21) .

CONTROL MODE:

Proportional

THERMOSTATS:

T.205 - 200N (max. closing force)

T.405 - 400N (max. closing force)

THERMOSTAT RANGES:

T.205 - 0-60 ; 30-90 and 60-120°C

T.405 - 0-120 ; 40-160 °C

CAPILLARY LENGTHS:

3 m as standard

HOW TO SELECT:

Never size the valve according to the pipe diameter in which it has to be fitted but according to the required actual flow of steam or water. Refer to valve calculation data sheet or consult the factory.

VALVE LIMITING CONDITIONS:

Body design conditions: PN40

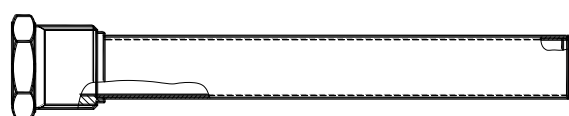
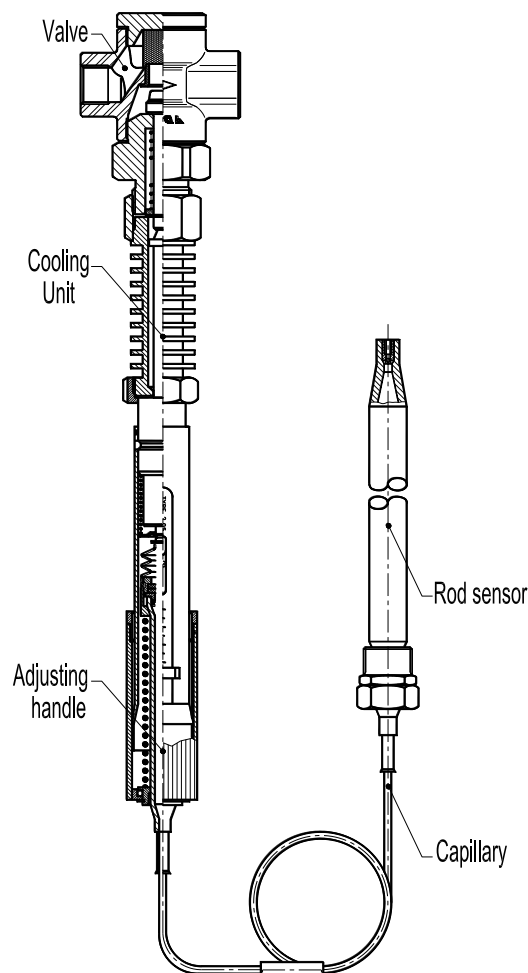
40 bar at 120°C

24 bar at 350 °C

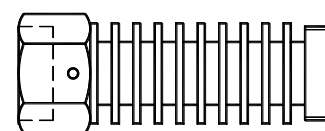
Min. working temperature: -10°C

COOLING UNITS:

Cooling unit protects the stuffing box of the thermostat. Type K1 is recommended at valve temperatures between 150 and 250°C.



Sensor pocket PK



Cooling unit K1

INSTALLATION:

Horizontal installation with the thermostat in the vertical position, in order to reduce wear. In case of valve temperatures up to 150°C, the thermostat may be fitted below or above the valve. In case of valve temperatures between 150 and 250°C a cooling unit type K1 has to be applied with connection downwards. An “Y” strainer should be provided upstream the valve. See IMI, installation and maintenance instructions.

SPECIFICATIONS				
Type	Conn. DN	Opening Ø (mm)	Kvs m ³ /h	Valve stroke
TR25-15/4	15	4	0,2	6
TR25-15/6	15	6	0,45	6
TR25-15/9	15	9	0,95	6
TR25-15/12	15	12	1,7	6
TR25-15	15	15	2,75	6
TR25-20/9	20	9	0,95	6,5
TR25-20/15	20	15	2,75	6,5
TR25-20/20	20	20	5	6,5
TR25-25/20	25	20	5	7

MAX.PERMISSIBLE DIF.PRESSURES		
With T.205 Thermostat		
Press. bar	valve Size	Seat Ø(mm)
21	15	4 and 6
13	15	9
9,3	15	12
5,3	15	15
5,3	20	15
2,9	20	20
2,9	25	20

MAX.PERMISSIBLE DIF.PRESSURES		
With T.405 Thermostat		
Press. bar	valve Size	Seat Ø(mm)
40	15	4 and 6
38	15	9
24	15	12
15	15	15
15	20	15
9	20	20
9	25	20

PROPORTIONAL BAND

The proportional band is the temperature change required for the valve to move from fully open to fully closed. It depends on the valve stroke and on the thermostat movement per °C, and is calculated as follows:

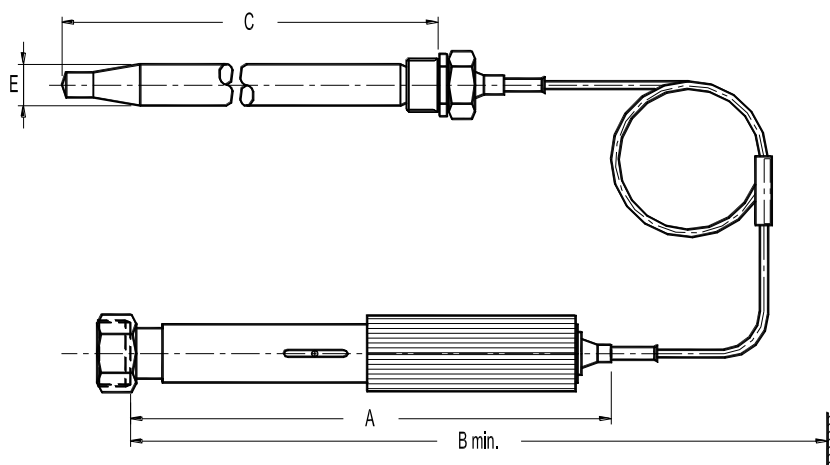
$$\text{Proportional band: } \frac{\text{Valve stroke (mm)}}{\text{Thermostat mov. (mm/°C)}}$$

Thermostat movement in mm per °C:

T.205 and T.405: 0,5 mm / °C

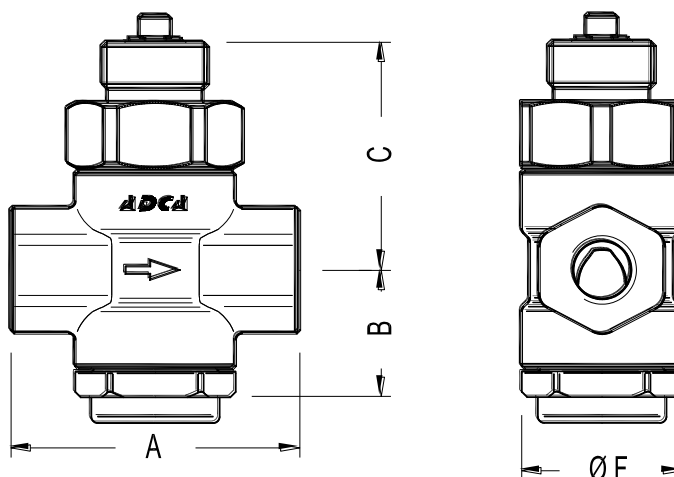
A proportional band in the range 8-13°C is suitable for most applications. A smaller proportional band is not ideal where heat load varies rapidly.

THERMOSTAT DIMENSIONS (mm)					
TYPE	A	B	C	ØE	Wgt Kg
T.205	305	405	210	22	1,8
T.405	385	525	390	22	2,6



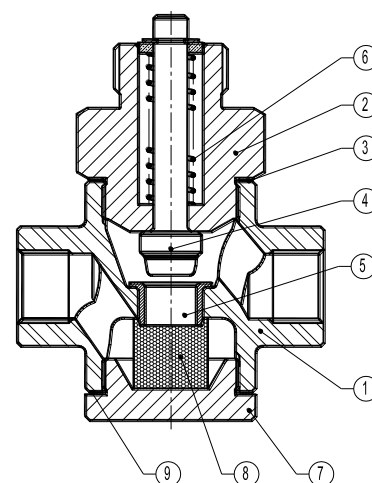
VALVE DIMENSIONS (mm)					
SIZE DN	A	B	C	ØF	WGT. Kg
1/2"	90	40	70	50	1,2
3/4"	90	40	70	50	1,2
* 3/4"	100	45	75	55	1,6
1"	100	45	75	55	1,6

* Only model TR25-20/20



MATERIALS		
POS.	DESIGNATION	MATERIAL
1	Body	P250GH / 1.0460
2	Bonnet	CK45 / 1.1191
3	* Gasket	St.St./Graphite
4	* Valve plug	AISI 316 / 1.4401
5	Seat	AISI 316 / 1.4401
6	* Spring	AISI 302 / 1.4300
7	Cap	CK45 / 1.1191
8	* Strainer screen	AISI 304 / 1.4301
9	* Cap gasket	St.St./Graphite

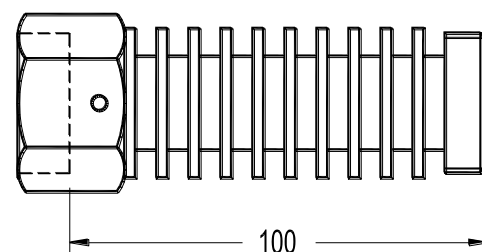
*Available spare parts



COOLING UNITS K1

The cooling units are used in connection with control valves and thermostats to protect the stuffing box. At valve temperatures between 150°C and 250°C a cooling unit of type K1 connected downwards should be applied.

For higher temperatures as well as for all hot oil systems please consult.



SENSOR POCKETS PK

Sensor pockets of stainless steel can be supplied to all TR series self-acting thermostats with rod sensors. They are used where it is impossible to empty the system or the tank.

Use of sensor pockets implies delay of heat transfer to the rod sensors and thus a longer reaction time for the controllers. This is to some extent counteracted by filling up the sensor pockets with paste or oil.

POCKET DIMENSIONS (mm)					
TYPE	D	H	L	S	R
PK2	25	9	218	36	1"
PK4	25	10	390	45	11/4"

INSTALLATION

The installation site for the sensor pocket is arbitrary when paste is applied. When oil is used, the sensor pocket must point somewhat downwards.

MATERIAL

Stainless steel 1.4436

LIMITING CONDITIONS

40 bar at 120°C
24 bar at 350°C

