

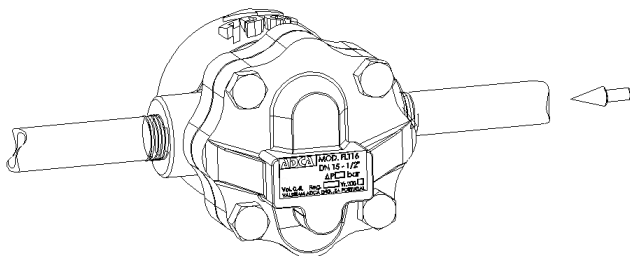
INSTALLATION AND MAINTENANCE INSTRUCTIONS FLOAT & THERMOSTATIC STEAM TRAPS

INSTALLATION

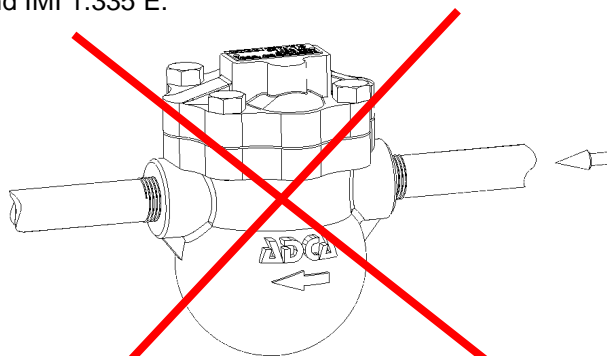
1. Before installing remove plastic covers placed on flanges or connection ends. The equipment has an arrow or Inlet/Outlet designations. Be sure that it will be installed on the appropriate direction.
2. Install the steam trap in the point of the system, where the condensate tends to collect.

It must be installed with the float lever in horizontal plane, so that it rises and falls vertically.

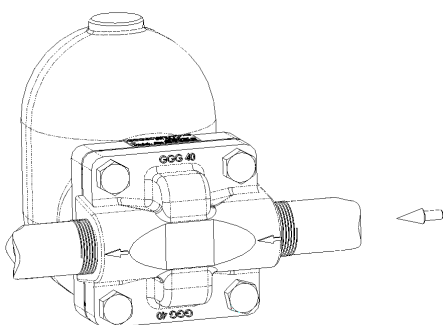
For further maintenance information refer to IMI 1.332 E and IMI 1.335 E.



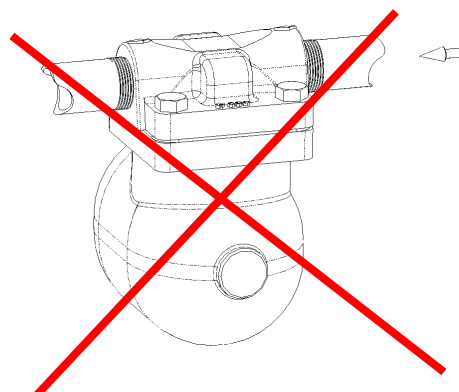
Correct Installation



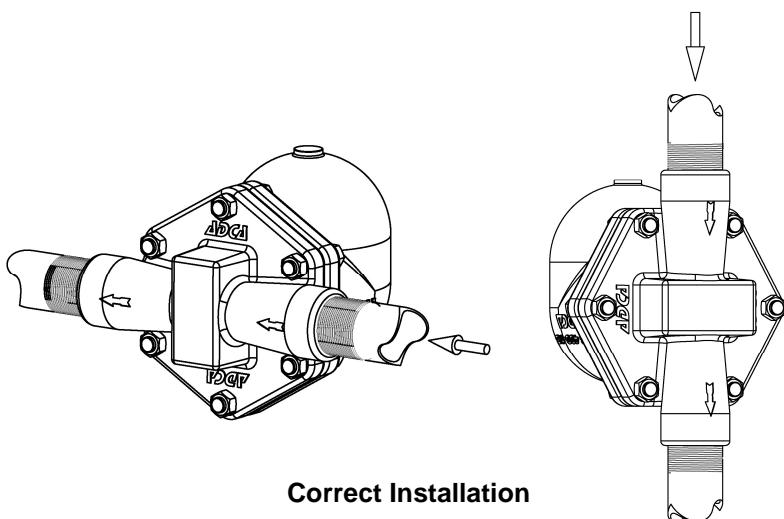
Wrong Installation



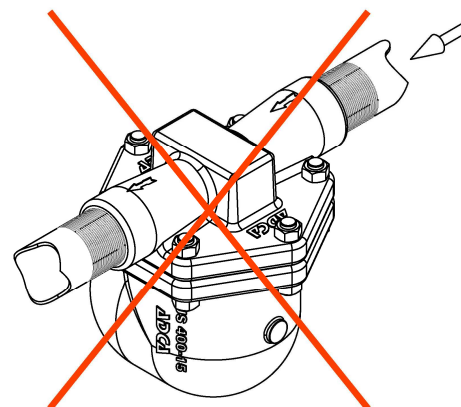
Correct Installation



Wrong Installation



Correct Installation



Wrong Installation

LOSS OF WARRANTY: Total or partial disregard of above instructions involves loss of any right to warranty.