



INSTALLATION AND MAINTENANCE INSTRUCTIONS FLT22SS FLOAT & THERMOSTATIC STEAM TRAPS

GENERAL

1. These instructions must be carefully read before any work involving products supplied by VALSTEAM ADCA ENGINEERING S.A. is undertaken.
2. The installation procedure is a critical stage in a life of a float trap and care should be taken to avoid damage to the float trap or equipment.

Warning !

- At start up , the presence of small particles in the water (dirt,scale,weld splatters,etc) may cause an unperfect closure of the seat . If this occur, proceed to an accurate cleaning.
- Do not touch the equipment without appropriate protection during working operation because it may conduct heat if the used fluid is at high temperature.
- Before starting maintenance be sure that the equipment is not pressurized or hot .
- The equipments must be used within the working temperature and pressure limits laid down for them, otherwise they may fail (refer to nameplate and/or IS- Information Sheet).
- Do not remove the nameplate attached to the equipment.Serial number and other useful information is stamped on it.

INSTALLATION

1. Before to install remove plastic covers placed on flanges or connection ends. The equipment has an arrow or Inlet/Outlet designations.Be sure that it will be installed on the appropriate direction.
 2. Install the steam trap in the point of the system, where the condensate tends to collect.
- It must be installed with the float lever in horizontal plane, so that it rises and falls vertically.
An ADCA strainer should be installed upstream of the trap.

Limiting conditions FLT22SS DN15-DN25:

PMA :Max.allowable pressure	40 bar
TMA: Max.allowable temperature	400 °C
PMO: Max.operating pressure	32 bar
TMO: Max.operating temperature	250 °C

Limiting conditions FLT22SS DN40-DN50 :

PMA :Max.allowable pressure	25 bar
TMA: Max.allowable temperature	400 °C
PMO: Max.operating pressure	21 bar
TMO: Max.operating temperature	250 °C

Max.differential pressure

FLT 22SS-4.5	- 4.5 bar
FLT 22SS -10	- 10 bar
FLT 22SS -14	- 14 bar
FLT 22SS -21	- 21 bar

Max.differential pressure

FLT 22SS-4.5	- 4.5 bar
FLT 22SS -10	- 10 bar
FLT 22SS -14	- 14 bar
FLT 22SS -21	- 21 bar

MAINTENANCE

1. We recommend that the float steam traps are serviced as necessary. Steam traps should be checked periodically (at least yearly), to verify that they are operating correctly and to clean the internal parts and screen (if any).
2. When reassembling make sure that all gasket faces are clean and always use a new gasket. Tighten cover bolts uniformly in a diagonal sequence.
3. For further information refer to the relevant FLT22 brochure or consult our Sales Office.

CE Marking :This product have been designed for use on water and steam wich are in Group 2 of the European Pressure Equipment Directive 97/23/EC and it comply with those requirements.
The product carry the CE mark when falling in category 1 and above.

GROUP 2 GASES CATEGORIES

MODEL	SIZES	Category
FLT 22	DN15-25	SEP
FLT 22	DN40-50	1



LOSS OF GUARANTEE : Total or partial disregard of above instructions involves loss of any right to guarantee.

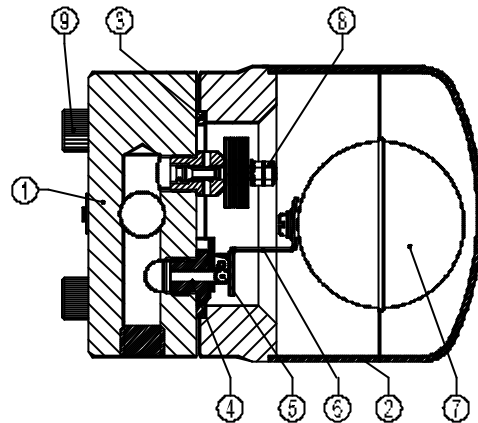
PARTS LIST FOR FLT 22SS- STEAM TRAPS DN 1/2"- 1", DN15-DN25

Code	Designation	SizeTrap	Pos.Nr.	Qty.
A.92.3402.015	Valve,seat,float&gasket D.P.4,5bar	DN1/2"-1"	3,4,5,6,7	1Set
A.92.3403.015	Valve,seat,float&gasket D.P.10 bar	DN1/2"-1"	3,4,5,6,7	1Set
A.92.3404.015	Valve,seat,float&gasket D.P.14 bar	DN1/2"-1"	3,4,5,6,7	1Set
A.92.3405.015	Valve,seat,float&gasket D.P.21 bar	DN1/2"-1"	3,4,5,6,7	1Set
A.92.3402.115	Float & gasket	DN1/2"-1"	3,7	1Set
A.92.3402.215	Air vent & gasket	DN1/2"-1"	3,8	1Set

Recommended tightening torques FLT22SS DN 1/2"-1", DN15-DN25

Pos.Nr.	Size	Nm
4	1/2"-1"	50-55
8	1/2"-1"	50-55
9	1/2"-1"	40-45

Remarks: Tighten cover bolts uniformly.


PARTS LIST FOR FLT 22SS STEAM TRAPS DN 1 1/2"-2", DN40-DN50

Code	Designation	SizeTrap	Pos.Nr.	Qty.
A.92.3602.040	Valve,seat,float&gasket D.P.4,5bar	DN11/2"	3,4,5,6,7	1Set
A.92.3603.040	Valve,seat,float&gasket D.P.10 bar	DN11/2"	3,4,5,6,7	1Set
A.92.3604.040	Valve,seat,float&gasket D.P.14/21 bar	DN11/2"	3,4,5,6,7	1Set
A.92.3602.050	Valve,seat,float&gasket D.P.4,5bar	DN 2"	3,4,5,6,7	1Set
A.92.3603.050	Valve,seat,float&gasket D.P.10 bar	DN 2"	3,4,5,6,7	1Set
A.92.3604.050	Valve,seat,float&gasket D.P.14/21 bar	DN 2"	3,4,5,6,7	1Set
A.92.3602.140	Float & gasket	DN11/2"-2"	3,7	1Set
A.92.3602.240	Air vent& gasket	DN11/2"-2"	3,8	1Set

Recommended tightening torques FLT22SS DN 1 1/2"-2", DN40-DN50

Pos.Nr.	Size	Nm
8	1 1/2"-2"	50-55
9	1 1/2"-2"	80-85

Remarks: Tighten cover bolts uniformly.

