

INSTALLATION AND MAINTENANCE INSTRUCTIONS SIGHT GLASSES (SW12 – DW12 – DW12G – DW16SS – DW40)

GENERAL

- These instructions must be carefully read before any work involving products supplied by VALSTEAM ADCA ENGINEERING S.A. is undertaken.
- The installation procedure is a critical stage in a life of a sight glass and care should be taken to avoid damage of the equipment.



- Do not touch the equipment without appropriate protection during working operation because it may conduct heat if the used fluid is at high temperature.
- Before starting maintenance be sure that the equipment is not pressurized or hot.
- Avoid spraying of hot sight glass with cold fluid, or failure could result.
- The equipments must be used within the working temperature and pressure limits laid down for them, otherwise they may fail (refer to nameplate and/or IS- Information Sheet).
- For temperatures over 300 °C and steam application you must protect glasses with lamellae of mica.
- Replace borosilicate glasses when are exposed to temperature superior to 280 °C for a total of 300h.
- Do not remove the nameplate attached to the equipment. Serial number and other useful information is stamped on it.

INSTALLATION



- Before to install remove plastic covers placed on flanges or connection ends. The equipment has an arrow or Inlet/Outlet designations. Be sure that it will be installed on the appropriate direction.
- The SW and DW sight glasses can be installed in any position on the outlet side of a steam trap.
- Open slowly the upstream interception valve to avoid water – hammer.

MAINTENANCE

- The ADCA sight glasses do not require any particular maintenance. Cleaning or changing of the glass may become necessary from time to time. The cleaning intervals depend on the degree of contamination of the fluid. Examine the glass to ascertain the extend of any damage or service wear.
- When reassembling makes sure that all gasket faces are clean and always use a new gasket. Tighten cover bolts uniformly in a diagonal sequence.
- For further information refer to the relevant IS (Information Sheet) or consult our Sales Office.



GROUP 2 (STEAM and WATER)		
MODEL	SIZES	CATEGORY
SW12	DN 15-25	SEP
DW12	DN 32-50	SEP
DW12G	DN 15-50	SEP
DW12G	DN 65-150	1
DW16SS	DN 15-25	SEP
DW40	DN 15-25	SEP
	DN 32-50	1

Window Material	Borosilicate Glass	Tempered Glass
Max. Operating Temp.	300 °C	120 °C
Min. Operating Temp.	-10 °C	-10 °C

RATINGS	
Sight Glass	PN
SW12	16
DW12	16
DW12G	16
DW16SS	16
DW40	40

CE Marking:

This product has been designed for use on water and steam which are in Group 2 of the European Pressure Equipment Directive 97/23/EC and it complies with those requirements. The product carries the CE mark when falling in category 1 and above.

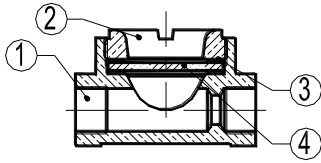
PARTS LIST FOR SIGHT GLASS:

CODE	DESIGNATION	MODEL	SIZE DN	POS.NR.	QTY.
A.96.5100.015	Borosilicate glass & gaskets	SW12-DW16SS	1/2"-1"	3, 4	1 set
A.96.5150.032	Borosilicate glass & gaskets	DW12-DW12G	1 1/4" - 1 1/2"	3, 4	1 set
A.96.5150.050	Borosilicate glass & gaskets	DW12-DW12G	2"	3, 4	1 set
A.96.5150.015	Borosilicate glass & gaskets	DW12G	15 - 25	3, 4	1 set
A.96.5150.032	Borosilicate glass & gaskets	DW12G	32 - 40	3, 4	1 set
A.96.5150.050	Borosilicate glass & gaskets	DW12G	50	3, 4	1 set
A.96.5150.065	Borosilicate glass & gaskets	DW12G	65 - 80	3, 4	1 set
A.96.5150.100	Borosilicate glass & gaskets	DW12G	100	3, 4	1 set
A.96.5150.125	Borosilicate glass & gaskets	DW12G	125	3, 4	1 set
A.96.5150.150	Borosilicate glass & gaskets	DW12G	150	3, 4	1 set
A.96.7100.015	Borosilicate glass & gaskets	DW40	1/2"-3/4"	3, 4	1 set
A.96.7100.025	Borosilicate glass & gaskets	DW40	1"	3, 4	1 set
A.96.7100.032	Borosilicate glass & gaskets	DW40	1 1/4"-1 1/2"	3, 4	1 set
A.96.7100.050	Borosilicate glass & gaskets	DW40	2"	3, 4	1 set

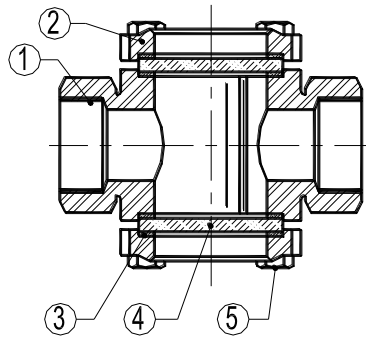
Recommended tightening torques:

Model	POS.NR.	SIZE	Nm
		DN	
SW12	2	1/2"-1"	120±5
DW12	5	1 1/4"	25
DW12	5	1 1/2"-2"	40
DW12G	5	15 - 20 - 25	15
DW12G	5	32 - 40 - 50	20
DW12G	5	65 - 80 - 100	25
DW16SS	2	1/2"-1"	120±5
DW40	2	1/2"-1"	110±5
	5	1 1/4"-2"	120±5

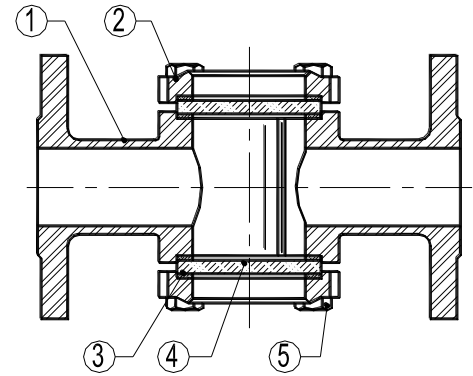
Remarks: Tighten cover bolts uniformly.



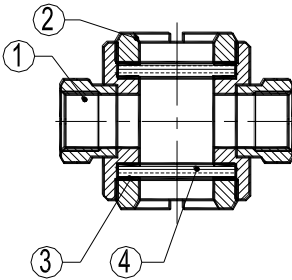
SW12



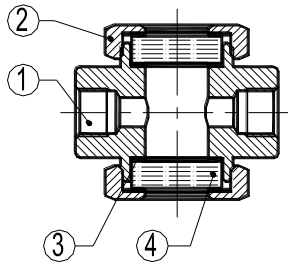
DW12



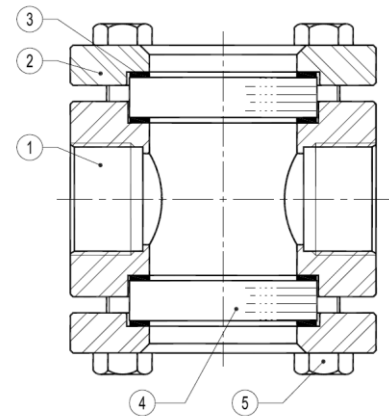
DW12G



DW16SS



DW40 - DN 1/2''-1''



DW40 - DN 1 1/4''-2''



ATTENTION

- LOSS OF WARRANTY: Total or partial disregard of above instructions involves loss of any right to warranty.