

INSTALLATION AND MAINTENANCE INSTRUCTIONS SANITARY PRESSURE REDUCING VALVE P-160

GENERAL

- These instructions must be carefully read before any work involving products supplied by VALSTEAM ADCA ENGINEERING S.A. is undertaken.
- The installation procedure is a critical stage in a life of a valve and care should be taken to avoid damage to the valve or equipment.
- Reducing valves are designed to give accurate control of down-stream pressures. They give their maximum performance only when the equipment associated with them is correctly sized and installed in accordance with our recommendations.

Note:

- Current regional safety regulations should be take in to account and followed, while doing the installation and maintenance work.
- Handling, installation and maintenance work must be carried out by trained personnel. A supervisor must follow and check all activities.
- For the problems that cannot be solve with the help of this instructions, please contact the supplier or the manufacturer.
- The manufacturer reserves the right to change the design and material of this product without notice.

CE Marking: This product has been designed for use on water and other liquids which are in Group 2 of the PED-European Pressure Equipment Directive 97/23/EC and it complies with those requirements.

CE MARKING (PED - European Directive 97/23/EC)	
PN 16	Category
DN 3/4" to 2"	SEP - art. 3, paragraph3



ATTENTION

- If malfunction of any other equipment or system operation failure may result in a dangerous overpressure, over temperature or even vacuum condition, a safety device must be included in the system to prevent such situations.
- At start up, the presence of small particles in the fluid (dirt, scale, weld splatters, etc) may cause an imperfect closure of the seat. If this occurs, proceed to an accurate cleaning.
- Do not touch the equipment without appropriate protection during working operation because it may conduct heat if the used fluid is at high temperature.
- Before starting maintenance be sure that the equipment is not pressurized or hot.
- The equipments must be used within the working temperature and pressure limits laid down for them, otherwise they may fail (refer to nameplate and/or IS- Information Sheet).
- Manual handling of products may present a risk of injury. You are advised to assess the risks taking into account the task, the individual, the load and the working environment.
- Before starting work ensure that you have suitable tools and/or consumables available. Use only genuine ADCA replacement parts.
- Do not remove the nameplate attached to the equipment. Serial number and other useful information is stamped on it.
- Do not apply the valve for oxygen service, if it hasn't been specifically manufacture for that purpose.
- During the assembly work, apply protective measures against dirt.

- The equipment should be carefully handled, to prevent any damage on the machined surfaces.
- Damaged diaphragms can result in a dangerous media leak through the vent hole. To avoid this, valves should be requested with appropriate connection in order to allow the connection of a pipe to a safe place.
- Valves with the relieving option should not be used for dangerous fluids applications, unless a proper line is connected to the valve to discharge the fluid to a safe place.
- Correct installation of the equipment is full responsibility of the contractor
- Valves are designed to be applied in places protected from exposure to weather.
- We recommend special constructions or protective measures for applications on the outside or in adverse environments like corrosion-promoting conditions (sea water, chemical vapors, etc).
- Avoid painting the bonnet thread (if applicable).

CLEANING AND PACKING

- This equipment is packed by proper machine with a special film used by food industry.
- These equipments are degreased and cleaned ultrasonically.

TRANSPORT AND STORAGE



ATTENTION

- Valves must be stored with the adjusting spring relaxed.
- Handling and lifting of materials should be made with adequate equipments.
- The valves and equipments should be protected from impacts and forces during transportation and storage.
- The manufacturer doesn't assume the responsibility of damaged equipments due to inappropriate handling during the transportation and storage.

INSTALLATION



ATTENTION

- Account for over pressure conditions, according with the local laws or standards.
- Valve mountings such as actuators, handwheels, hoods must not be used with other purpose than the one they were built for (e.g. climbing aids or as connecting points for lifting gear)
- For the problems that cannot be solve with the help of this instructions, please contact the supplier or the manufacturer.

Installation area requirements:

- The installation area should have easy access and provide enough space for maintenance and removing operations.
- The pipework before and after the pressure reducing valve, must be sized in order to avoid that the max flow speed recommended, for the fluid in question, is exceeded.
- In order to allow installation and maintenance work without emptying the system, stop valves should be installed upstream and downstream of the pressure reducing valve.
- **If the system cannot be stopped for maintenance it is recommended that isolating valves are installed upstream and downstream of the pressure reducing valve together with a by-pass manual regulating**

valve. The process can be then controlled manually during the pressure reducing valve maintenance. The by-pass must be kept close during the normal operation.

- To control the pressure, manometers shall be installed upstream and downstream of the valve.

Procedure:

- Prior to install check that the product is suitable for the intended application: materials and pressure/temperature ratings.
- Before installing remove plastic covers placed on flanges or connection ends. The equipment has an arrow or Inlet/Outlet designations. Be sure that it will be installed on the appropriate direction.
- Take care with jointing material to ensure that none may be permitted to block or enter the valve.
- In case of using Teflon tape (for screwed connections), avoid rolling it till the edge, because it can get cut and migrate to the valve interior, blocking or causing a defective sealing.
- Reducing valves are recommended to be fitted with the centre line of the valve in a vertical position to ensure that the best results are obtained.
- The valve is designed for sanitary service and it is assumed that the fluid is clean and filtrated. If not, a protection strainer should be used upstream of the valve.
- Do not over-tighten clamps because that can damage the gasket.
- External stresses that may be induced by the system due to pipe expansion, etc, can affect this product. The necessary precautions are recommended during the systems design and equipment assembly.
- The reducing valve pipework should be properly supported and free from strain and it should not be subjected to undue surges of pressure. For steam installations we strongly recommend that the reducing valve is positioned where condensation is unable to collect or that, alternatively, separators and steam traps are fitted so that the pipework drains correctly. The start-up condition should be considered.

START UP



ATTENTION

- Current regional safety regulations should be take in to account and followed.
- Protective insulation and warning notice may be required.
- Until the start up of an existing or a new plant, the following must be checked:
 - All works are completed.
 - The valve is correctly installed.
 - All the necessary safety devices have been installed.
- **At start up, the presence of small particles in the fluid (dirt, scale, weld splatters, joint particles, remains of Teflon tape, etc) may cause an imperfect closure of the seat. If this occurs, proceed to an accurate cleaning.**
- **Protection varnishes from pipes and flanges, fats, leftover paint, graphite, etc, should also be carefully clean, because they can be dissolved in the fluids (like steam) blocking the regulation elements after the first service stop.**
- During operation high flow noises can be heard.

Procedure:

1. All stop valves should be close.
2. Regulation spring must be relaxed. If not, release tension by turning the adjustment screw counter-clockwise.
3. Open downstream stop valve.
4. Open slowly the upstream stop valve, in order to avoid water hammer damaging, until the input pressure reaches its limit.
5. Adjust the regulation spring by turning the adjustment screw clockwise, while observing the output pressure gauge, until the reduced pressure is reached. (There must be some medium consumption on the outlet side during this process).

6. Secure the adjustment screw with the locknut.
7. When the system is stable a readjustment of the regulation spring may be needed.
8. The valve is ready.

Periodical checking:

- 24 hours after the start up, it is recommended to check pipe connections for leaks and retighten the connections if necessary.

MAINTENANCE

- We recommend the pressure reducing valves to be serviced as necessary. Pressure reducing valves should be checked periodically (at least yearly), to verify if they are operating correctly and to clean the internal parts and screen (if any).
- When reassembling make sure that all gasket faces are clean and always use a new gasket.
- Lubrication must be avoided for oxygen service. When it's necessary, only the lubricants recommended by the manufacture should be use.
- Maintenance should proceed as follows:
 1. Isolation valves should be closed and the pressure and temperature must be atmospheric.
 2. Remove sanitary clamps or other type of connection used.
 3. Execute the maintenance work.
 4. Replace and tighten the clamps, (don't forget to substitute the gasket).
 5. Consider the start up conditions.

LIMITING CONDITIONS	
Valve model	P-160
Body design conditions	PN 16
Max.upstream pressure	8 bar
Max.downstream pressure	5 bar
Min.downstream pressure	0,8 bar
Max.design temperature *	150 °C

*Other on request.

TROUBLESHOOTING

ATTENTION

- If the malfunctions cannot be solved with the help of the following chart, please consult the manufacture.
- Some of these faults may only occur in some models.



TROUBLE SHOOTING CHART

FAULT	POSSIBLE REASON	SOLUTION
Leakage from spring chamber bleed hole	Broken diaphragm or Broken piston o-rings	Replace diaphragm or o-rings
Reduced pressure not maintained as flow varies. Safety valve blows when flow ceases.	Piston stuck due to: 1 – Dirt around piston and piston rings; 2 – Damaged o-rings; 3 – Scored piston liner.	Clean and re-assemble. Check the system strainers and clean. Replace piston rings Replace Free and if necessary replace worn parts.
Reduced pressure not maintained when flow approaches maximum, but is correct at low-flow and no-flow conditions.	Regulator undersized.	Replace with a larger valve or consider fitting another valve in parallel (assuming that the pipework is sized for larger capacities).
	Pressure differential across the regulator too small.	None, unless inlet or reduced pressure can be adjusted to give increased differential.
	Downstream pipework and fittings undersized.	None, unless change the pipework.
	Upstream pressure not being maintained.	None, this is a basic system fault.
Reduced pressure correct on large flow and no-flow conditions but is erratic on small flows.	Valve is oversized.	Replace with smaller valve. Use two regulators in parallel.
Reduced pressure builds up on no-flow conditions but otherwise operates as required.	Main valve lid withdrawn or stuck in guides.	Free and grind main valve lid into Seat. Change valve (if soft).
	Condensate accumulating in valve.	Fit a steam trap to the inlet pipe.
Large reduced pressure fluctuations under all flow conditions.	Inlet pipe and/or fittings are undersized.	If undersized replace pipework and/or fittings.
	Inlet flange gasket restricting flow to the valve.	Rectify gasket.
	Relay port from main valve inlet to pilot valve to pilot valve is partially blocked.	Clear blockage.
	Valve oversized.	Fit a smaller valve.
Reduced pressure oscillates for a short period when starting up after a system shut-down.	Condensate accumulating in the regulator.	Fit steam traps to inlet and outlet pipes.

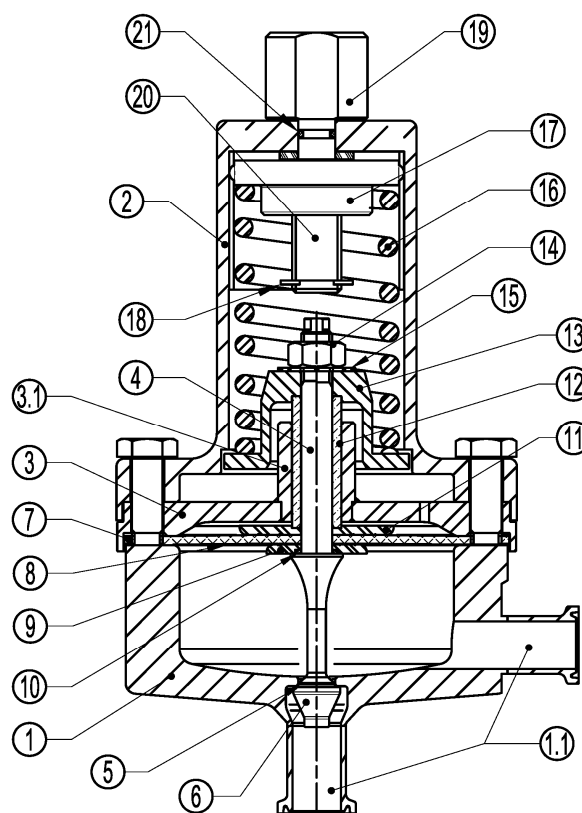
SPARE PARTS

PARTS		
POS.	DESIGNATION	MATERIAL
1	Valve body	AISI316L / 1.4404
1.1	Ferrule	Stainless steel
2	Cover	AISI316 / 1.4401 ; CF8M / 1.4408
3	Centering plate	AISI316 / 1.4401
3.1	Stem guide box	Stainless steel
4	*Valve stem	AISI316L/1.4404; EPDM-PTFE **
5	*Soft plug	EPDM-PTFE **
6	*Valve plug	AISI316 / 1.4401
7	* Upper diaphragm	EPDM;VITON**
8	* Low er diaphragm	PTFE
9	Diaphragm plate	AISI316L / 1.4404
10	* O-ring	EPDM
11	Diaphragm plate	AISI316L / 1.4404
12	Stem guide	AISI316 / 1.4401
13	Spring plate	AISI316 / 1.4401
14	Nut	St.Steel A2 - 70
15	Washer	AISI316 / 1.4401
16	* Adjustment spring	AISI 302 / 1.4300
17	Top spring plate	AISI316 / 1.4401
18	Retaining ring	St.Steel A2 - 70
19	Regulating nut	AISI316L / 1.4404
20	Adjustment screw	AISI304 / 1.4301
21	O-ring	EPDM

* Available spare parts.

**Others according to the fluid

Remarks: All valves has a serial number. In case of non-standard valves this number must be supplied if spare parts are ordered.


ATTENTION

- Information regarding any hazards and precautions to be considered because of contaminating fluids and residues or mechanical damage that may represent a health, safety or environmental risk, must be provided in writing by the distributors and costumers when returning products to Valsteam ADCA engineering.
- Health and safety data sheets regarding substances identified as hazardous or potentially hazardous must be provided with the information mention above.


ATTENTION

- **LOSS OF WARRANTY:** Total or partial disregard of above instructions involves loss of any right to warranty.