

INSTALLATION AND MAINTENANCE INSTRUCTIONS RP45 - PRESSURE REDUCING VALVES

GENERAL

- These instructions must be carefully read before any work involving products supplied by VALSTEAM ADCA ENGINEERING S.A. is undertaken.
- The installation procedure is a critical stage in the valve life time and care should be taken to avoid damage to the valve or equipment.
- Reducing valves are designed to give accurate control of down-stream pressures. They give their maximum performance only when the equipment associated with them is correctly sized and installed in accordance with our recommendations.

Warning!

- At start up, the presence of small particles in the fluid (dirt, scale, weld splatters, etc) may cause an imperfect closure of the seat. If this occurs, proceed to an accurate cleaning.
- Do not touch the equipment without appropriate protection during working operation because it may conduct heat if the used fluid is at high temperature.
- Before starting maintenance be sure that the equipment is not pressurized or hot.
- The equipments must be used within the working temperature and pressure limits laid down for them, otherwise they may fail (refer to nameplate and/or IS- Information Sheet).
- Do not remove the nameplate attached to the equipment. Serial number and other useful information stamped on it.
- This valve is not suitable for oxygen service.

INSTALLATION



- Before to installation remove plastic covers placed on flanges or connection ends. The equipment has an arrow or Inlet/Outlet designations. Be sure that it will be installed on the appropriate direction.
- Take care with jointing material to ensure that none may be permitted to block or enter the valve.
- Reducing valves are recommended to be fitted with the centre line of the valve in a vertical position to ensure that the best results are obtained.
- An ADCA pipeline strainer should be installed upstream of the valve to protect from dirt which could damage the valve or cause mal-functioning.
- The reducing valve pipework should be properly supported and free from strain and it should not be subjected to undue surges of pressure.

For steam installations we strongly recommend that the reducing valve is positioned where condensation is unable to collect or that, alternatively, separators and steam traps are fitted so that the pipework drains correctly. The startup condition should be considered.

- A balance pipe must be connected downstream at least 1 meter from valve. See IS.RP45.01.
- RP45 is designed primarily for steam, compressed air and non inflammable gases. It has limited use for neutral liquids since the plug close in the same direction of the fluid flow, which can produce vibrations and water hammer when used at less than 20% of capacity. To avoid this, valve can be installed with the fluid direction against the plug under certain conditions. Please consult the factory.

At service conditions where the temperature is more than 100°C it is necessary to protect the diaphragm against overheating by using a seal pot.

Never size the valve according to the pipe diameter in which it has to be fitted but according to the required actual flow .Pipe sizing must also respect the maximum recommended flow velocities according to the medium.

- **Service conditions less than 100°C:** with gases the valve is ready to work. In case of liquids the actuator must be filled completely with liquid, so, the vent screw (12) should be open till the water flow without bubbles.

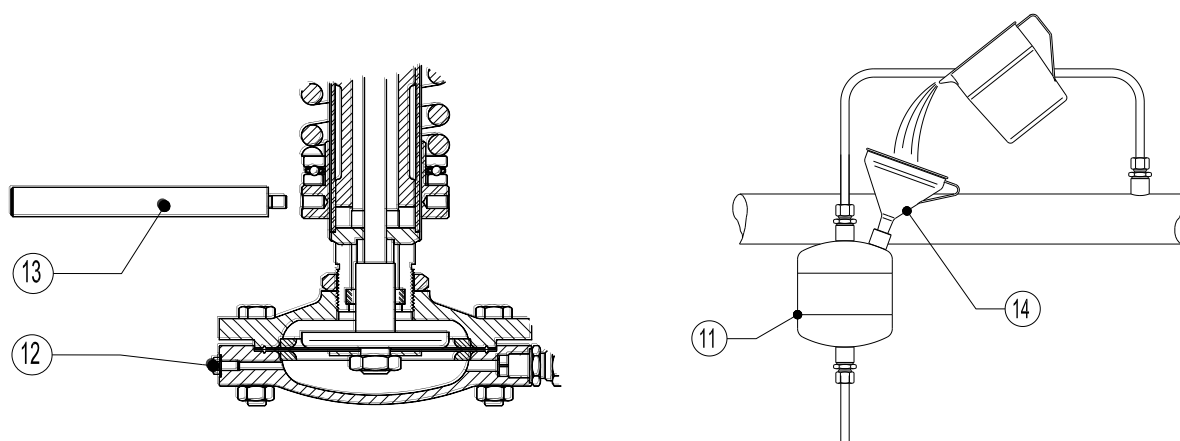
The valve can be installed with the diaphragm pointing upwards or downwards.

- **Service conditions more than 100°C:** Fill the seal pot (11) using a funnel (14) until the water emerges from the actuator vent (12) without bubbles. Close the actuator vent screw (12) and proceed filling the pot until the water reaches the top and close it with the plug. The valve is now ready to work.

The valve must be installed with the diaphragm pointing downwards.

Downstream pressure should be adjusted with the key (13). Compressing the spring, spring force increase and downstream pressure increase. Relaxing the spring, spring force decrease and downstream pressure decrease.

The valve closes when the downstream pressure rises.



Installation area requirements:

- The installation area should have easy access and provide enough space for maintenance and removing operations.
- The installation area should have the necessary firing system to prevent damage of the equipment due to over temperature/pressure cause by fire.

START UP



ATTENTION

- Current regional safety regulations should be take in to account and followed.
- Protective insulation and warning notice may be required.
- Until the start up of an existing or a new plant, the following must be checked:
 - All works are completed.
 - The valve is correctly installed.
 - All the necessary safety devices have been installed.
- **At start up, the presence of small particles in the fluid (dirt, scale, weld splatters, joint particles, remains of Teflon tape, etc) may cause an imperfect closure of the seat. If this occurs, proceed to an accurate cleaning.**
- **Protection varnishes from pipes and flanges, fats, leftover paint, graphite, etc, should also be carefully clean, because they can be dissolved in the fluids (like steam) blocking the regulation elements after the first service stop.**
- During operation high flow noises can be heard.

Procedure:

1. All stop valves should be close.
2. Regulation spring must be relaxed. If not, release tension by turning the adjustment screw counter-clockwise.
3. Open downstream stop valve.
4. Open slowly the upstream stop valve, in order to avoid water hammer damaging, until the input pressure reaches its limit.
5. Adjust the regulation spring by turning the adjustment screw clockwise, while observing the output pressure gauge, until the reduced pressure is reached. (There must be some medium consumption on the outlet side during this process).
6. When the system is stable a readjustment of the regulation spring may be needed.
7. The valve is ready.

Periodical checking:

24 hours after the start up, it is recommended to check pipe connections for leaks and retighten the connections if necessary.

MAINTENANCE

- We recommend that the pressure reducing valves are serviced as necessary. Pressure reducing valves should be checked periodically (at least yearly), to verify that they are operating correctly and to clean the internal parts and screen (if any).
- When reassembling make sure that all gasket faces are clean and always use a new gasket. Tighten cover bolts uniformly in a diagonal sequence.
- Valves in store for long periods should have their adjusting spring relaxed.
- For further information refer to the relevant RP brochure or consult our Sales Office.

Replacement of actuator diaphragm:

In reference to the fig.1 proceed as follow:

1. Isolate the valve and make sure the system is depressurized.
2. Drain the actuator and condensate vessel through the actuator vent screw (9), if applicable.
3. Relax the valve regulation spring, turning the key anti-clockwise.
4. Remove the actuator from the valve by unscrewing the nut (8) and turning the actuator anti-clockwise.
5. Remove the screws and nuts (7).
6. Remove the bottom cover (1).
7. Untighten the nut (6), remove the washer (5) and replace the diaphragm (4).
8. Refit all the items in reverse order (tighten the actuator bolts evenly).
9. Fill the condensate vessel again as the above instructions, if applicable

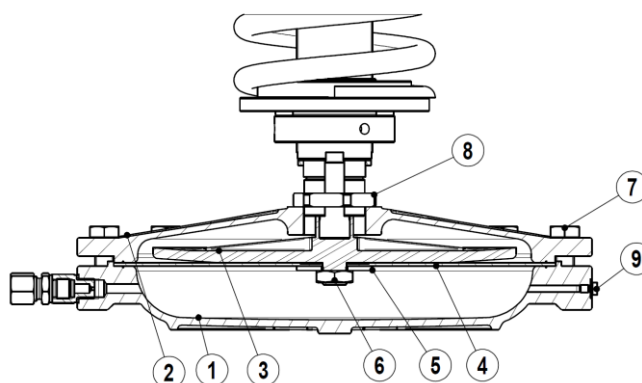


Fig. 1 – Actuator



CE MARKING (PED - European Directive)			
PN 16	PN 25	PN 40	Category
DN15 to DN50	DN15 to DN32	DN15 to DN 25	SEP
DN65 to DN100	DN40 to DN50	DN32 to DN50	1 (CE Marked)
---	DN 65 to DN100	---	1 (CE Marked)

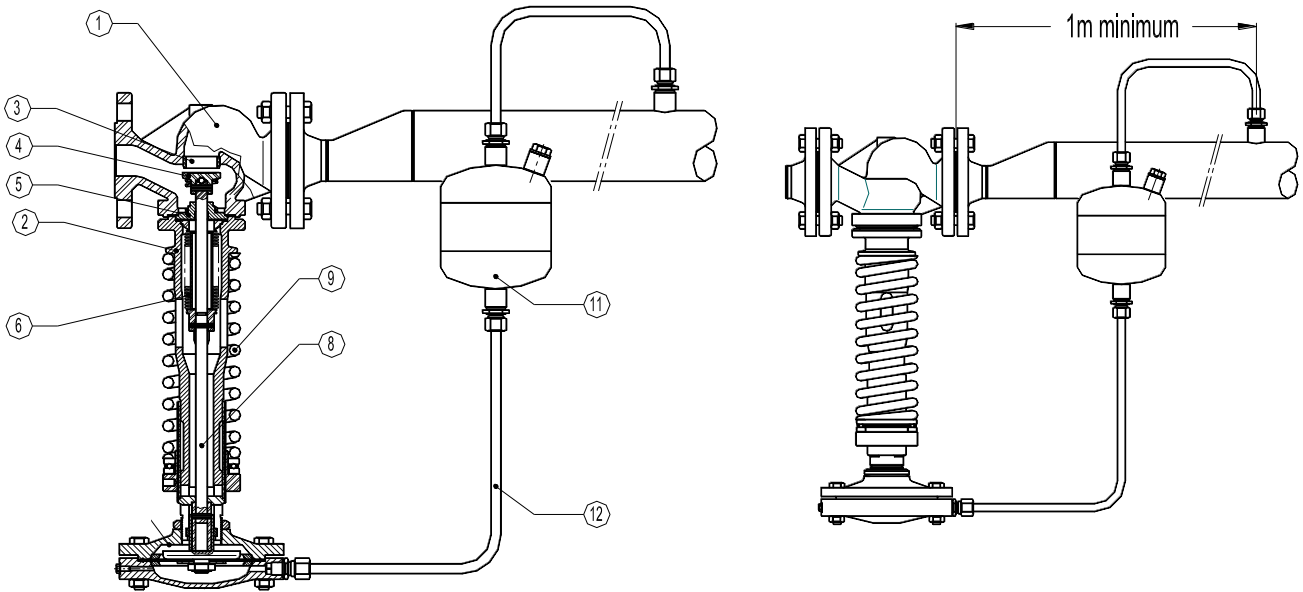
LIMITING CONDITIONS	RP45	
	PN16	PN 40
Maximum upstream pressure (steam)	13 bar	25 bar
Maximum downstream pressure	13 bar	13 bar
Minimum downstream pressure	0,15 bar	0,15 bar
Maximum operating temperature	250 °C	250 °C
Maximum reducing ratio	25 : 1	25 : 1
Maximum cold hydraulic test:	24 bar	25 bar
Max.hydraulic factory valve body test	24 bar	60 bar

USEFUL NOTES ON VALVE AND PIPE SIZING - If the flow is unknown it is possible to estimate it based on pipe size or equipment heat requirement - please consult.

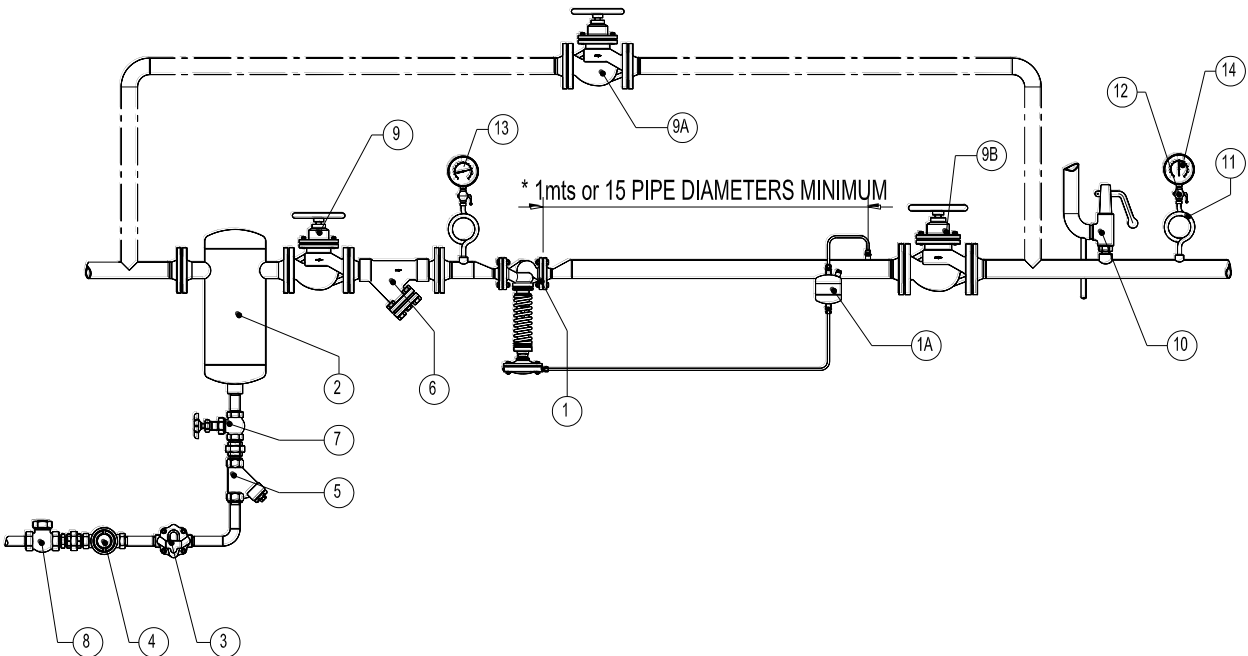
PARTS LIST FOR RP45 PRESSURE REDUCING VALVES:

CODE	DESIGNATION	VALVE SIZE DN	POS.NR.	QTY.
VR.9530.015	Stainless steel bellows	DN15-DN25	6	1
VR.9530.032	Stainless steel bellows	DN32-DN40	6	1
VR.9530.050	Stainless steel bellows	DN50-DN65	6	1
VR.9530.080	Stainless steel bellows	DN80	6	1
VR.9530.100	Stainless steel bellows	DN100	6	1
VR.9455.060	Regulating spring nr 60	DN15-DN40	9	1
VR.9455.061	Regulating spring nr 61	DN50-DN65	9	1
VR.9455.062	Regulating spring nr 62	DN80	9	1
VR.9455.063	Regulating spring nr 63	DN100	9	1
VR.9455.064	Regulating spring nr 64	DN50-DN65	9	1
VR.9455.065	Regulating spring nr 65	DN80	9	1
VR.9455.066	Regulating spring nr 66	DN15-DN40	9	1
VR.9455.067	Regulating spring nr 67	DN50-DN65	9	1
VR.9455.068	Regulating spring nr 68	DN80	9	1
VR.9455.069	Regulating spring nr 69	DN100	9	1

CODE	DESIGNATION	ACTUATOR	POS.NR.	QTY.
VR.9550.001	Diaphragm	A1 / A11	--	1
VR.9550.002	Diaphragm	A2 / A21	--	1
VR.9550.003	Diaphragm	A3	--	1
VR.9550.004	Diaphragm	A4	--	1



TYPICAL INSTALLATION



MATERIALS RP45		
POS.	DESIGNATION	MODEL
1	Pressure reducing valve	RP45
1A	Water seal pot	Steel
2	Humidity separator	S25
3	Steam trap	FLT series
4	Sight glass	SW12
5	Strainer	IS16
6	Strainer	IS16F
7	Stop valve	Globe type
8	Check valve	Globe type
9	Stop valve	Globe or gate type
9A*	By-pass valve	Globe type
9B	Stop valve	Globe or gate type
10	Safety valve	----
11	Coil	----
12	Gauge cock	----
13	Upstream pressure gauge	----
14	Downstream pressure gauge	----

Remarks:

* By-pass is optional. In case the by-pass is not allowed than stop valve 9B should be placed after pressure gauge 14 allowing the isolation of safety valve.

PN, classes and materials according to the operating pressures.

The balance pipe connection is recommended to enter downstream pipe at a minimum of 1 meter from the valve.

Information sheet are available (IS - RP45) and typical assembling drawing.

Special assembling designs may be produced on request.


ATTENTION

- **LOSS OF WARRANTY:** Total or partial disregard of above instructions involves loss of any right to warranty.