

AIR ELIMINATORS FOR WATER SYSTEMS AE32 (Carbon Steel)

DESCRIPTION

The AE32 carbon steel air eliminator removes air from hot and superheated water systems and is also suitable for all liquids compatible with the construction, providing that their specific gravity is not less than 0,75Kg/dm³.

This ball float type automatic air eliminator can be used in combination with other air elimination and separation systems or directly applied at high points in the piping.

Connections are female screwed or flanged for horizontal or vertical installation.

MAIN FEATURES

Corrosion-resistant working parts.

Replaceable internal parts.

OPTIONS: Internal strainer (only on horizontal models).

USE: Cold, hot and superheated water systems.

AVAILABLE MODELS:

AE 32-17

SIZES: DN 1", DN 25.

CONNECTIONS: Female screwed ISO 7/1Rp(BS21).

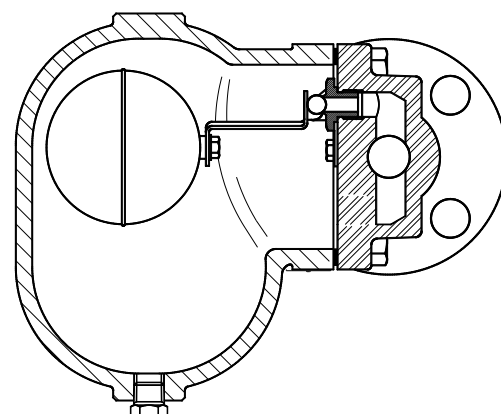
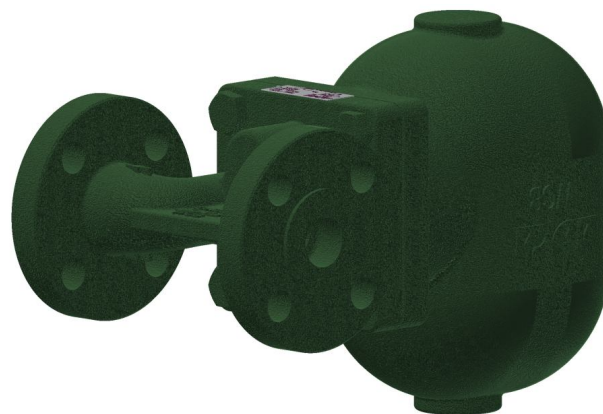
Flanged EN 1092 -1or ANSI.

Special flanges upon request.

INSTALLATION

Horizontal or vertical installation (on request). It must be installed with the float lever in horizontal plane, so that it rises and falls vertically. It should be installed at the points in the plant where the air tends to collect.

The drain should be piped to a safe position.



APPLICATION LIMITS	
Min. Liquid specific weight	0,75 Kg/dm ³
Maximum working dif. pressure-AE32-17	17 bar

CE MARKING (PED - European Directive 97/23/EC)	
PN 40	Category
DN25 - DN1"	1 (CE Marked)

BODY LIMITING CONDITIONS		
FLANGED PN40 / ANSI 300*	FLANGED ANSI 150 **	RELATED TEMP.
ALLOW. PRES.	ALLOW. PRES.	
37,1 bar	15,4 bar	100 °C
33,3 bar	13,8 bar	200 °C
30,4 bar	12,1 bar	250 °C
27,6 bar	10,2 bar	300 °C

PMO - Max. operating pressure 32 bar

TMO - Max. operating temperature 200 °C

* According to EN1092-1:2007 ; ** Acc. to EN1759-1:2004

Body limiting conditions PN40 or below, depending on the type of connection adopted. Rating PN40 for thread, SW and BW.

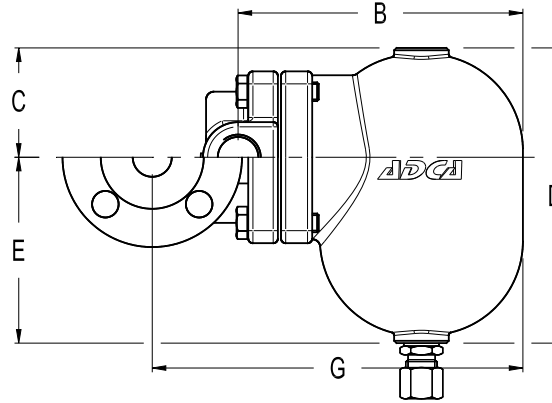
FLOW RATE CAPACITY IN N l/min.										
MODEL	SIZE	DIFFERENTIAL PRESSURE (bar)								
		0,5	1	2	4	6	8	10	13	17
AE32-17	1" - 25	75	120	240	420	535	720	870	1200	1380

Capacities at a standard atmospheric pressure of 1bar and 20°C.

If the temperature differs from 15°C, the discharge capacity can be corrected by multiplying it by: $\frac{288}{273 + T}$, where T is the actual temperature in °C.

DIMENSIONS (mm)																								
Screwed							EN PN 16 / 40			EN PN 16 / 40 *			ANSI 150			ANSI 150 *			ANSI 300			ANSI 300 *		
SIZE DN	A	B	C	D	E	WT. Kgs	F	G	WT. Kgs	F	B	WT. Kgs	F	G	WT. Kgs	F	B	WT. Kgs	F	G	WT. Kgs	F	B	WT. Kgs
25-1"	120	195	80	190	110	9	160	248	11,3	230	195	12	160	248	11	230	195	11,2	160	248	11,3	230	195	12,8

* Alternative



MATERIALS		
POS.Nr.	DESIGNATION	MATERIAL
1	Body	GP240GH / 1.0619
2	Cover	GP240GH / 1.0619
3	*Gasket	Stainless st. / Graphite
4	*Seat	AISI 410 / 1.4006
5	*Valve	AISI 410 / 1.4006
6	*Lever	AISI 304 / 1.4301
7	*Float	AISI 304 / 1.4301
8	Compression fitting	Fe / Zn 12 - ISO 2081
9	Bolts	Steel 8.8

* Available spare parts.

