

VACUUM BREAKER VB 21

DESCRIPTION

The VB21 vacuum breakers are simple and reliable devices that automatically relieve or “break” an unwanted vacuum condition, restoring the atmospheric pressure.

This device is particularly suitable for steam heated units of small and medium volume as heat exchangers, heating coils, calorifiers, jacketed kettles, steam boilers, etc.

Connections are female screwed.

USE: Saturated and superheated steam

AVAILABLE

MODELS: VB21; VB21M

SIZES: ½” x 1/8”

CONNECTIONS: System, vertical connection ½”
Air inlet, horizontal connection 1/8”
VB21-Female screwed ISO 7-1 Rp (BS21)
VB21M-Male screwed ISO 7-1 R (BS21)

INSTALLATION: Vertical installation angled connection.
See IMI, installation and maintenance instructions.

LIMITING

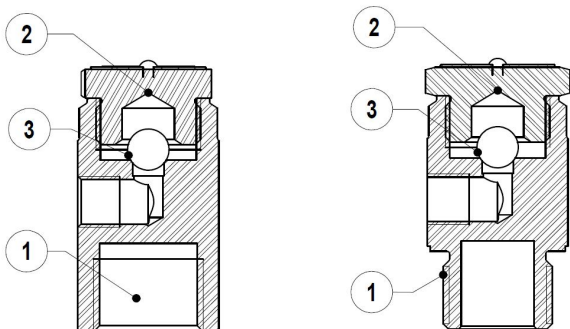
CONDITIONS: 13 bar at 400 °C
21 bar at 220 °C



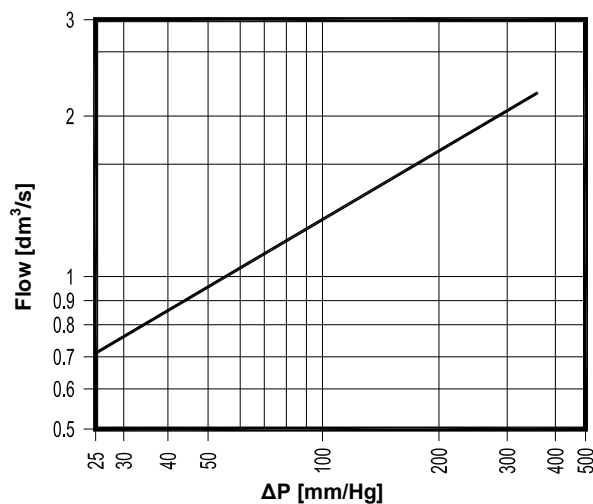
VB21



VB21M



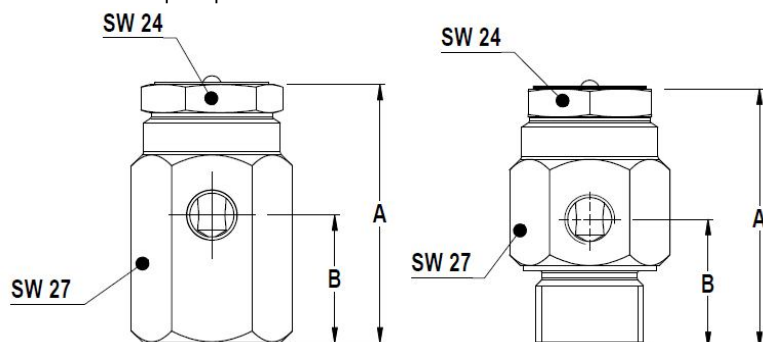
CAPACITY CHART



ΔP required to open vacuum breaker: 4,6mm/Hg.

MATERIALS		
POS.Nr.	DESIGNATION	MATERIAL
1	Body	AISI303 / 1.4305
2	Cover	AISI303 / 1.4305
3	* Ball valve	Stainless steel

* Available spare parts.



DIMENSIONS (mm)

MODEL	A	B	WGT. Kgs
VB21	50	25	0,17
VB21M	50	25	0,13