

DOUBLE WINDOW SIGHT GLASS DW40S (Carbon steel)

DESCRIPTION

For monitoring the right operation of a steam trap to avoid leakage of live steam and consequently big energy losses, a sight glass is recommended to be installed downstream of the steam trap.

Double window DW sight glass, has been designed for this particular application.

Connections are female screwed or flanged.

OPTIONS: Mica shield discs for steam use

USE: Condensate pipes downstream steam traps.

AVAILABLE MODELS: DW 40 S

SIZES: DN ½" to DN 2"; DN 15 to DN 50

CONNECTIONS: Female screwed ISO 7/1Rp(BS21).
NPT (ANSI B1.20.1)
Flanged EN 1092-1 or ANSI

INSTALLATION: Horizontal or vertical installation.
See IMI, installation and maintenance instructions.



DN1/2" - 1"



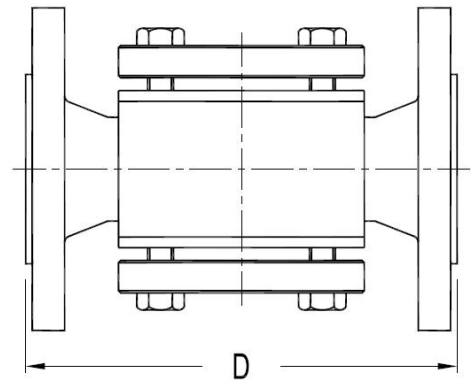
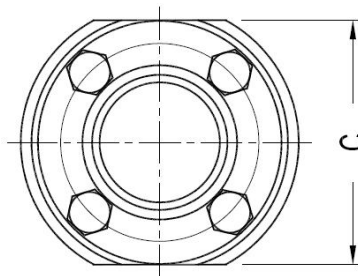
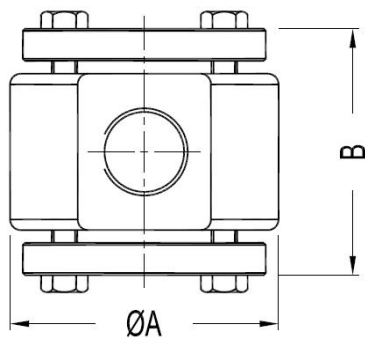
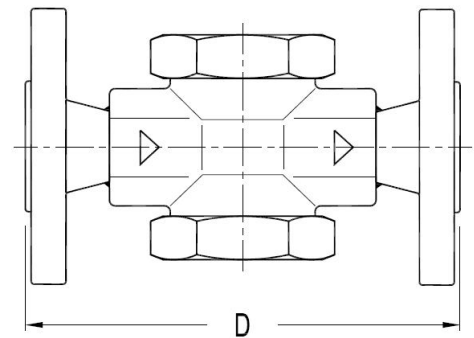
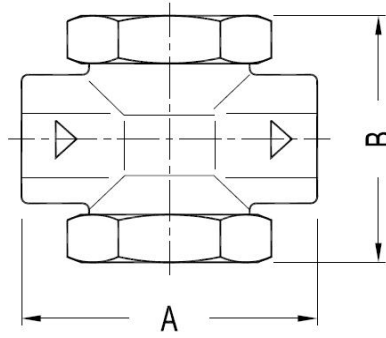
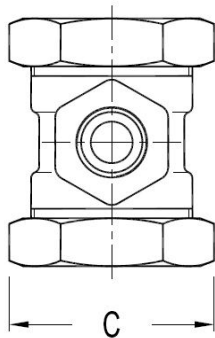
DN1 1/4" - 2"



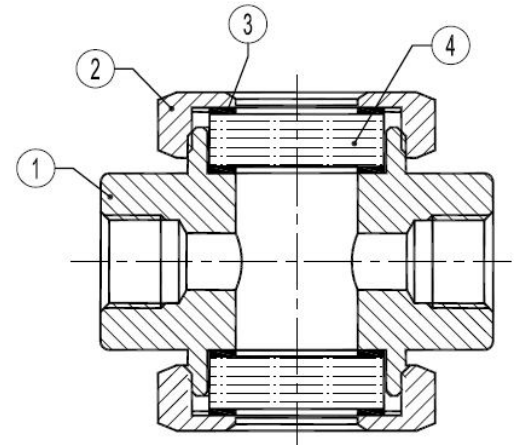
LIMITING CONDITIONS			
DW40S - PN40		DW40S - PN25	
ALLOWABLE PRESSURES	RELATED TEMP.	ALLOWABLE PRESSURES	RELATED TEMP.
40 bar	-10 / 50°C	25 bar	-10 / 50°C
37,1 bar	100 °C	23,2 bar	100 °C
35,2 bar	150 °C	22 bar	150 °C
33,3 bar	200 °C	20,8	200 °C
28,7 bar	280 °C	17,9	280 °C

For steam use mica shield discs

CE MARKING (PED - European Directive 97/23/EC)	
PN25 / PN40	Category
DN 15-32	SEP - art. 3, paragraph3
DN 40-50	1 (CE Marked)



DIMENSIONS (mm)-Screwed					EN 1092-1 Flanges	
SIZE DN	A	B	C	WGT. Kgs	D	WGT. Kgs
15	90	80	60	1,25	150	2,8
20	90	80	60	1,25	150	3,4
25	100	87	65	2,1	160	4,7
32	130	115	114	6,2	180	9,5
40	130	115	114	6,5	200	10,5
50	130	125	114	7,5	230	12,5



MATERIALS			
POS.	DESIGNATION	DN15 - DN25	DN32 - DN50
1	Body	P250GH / 1.0460	S355J2G3 / 1.0570 P250GH / 1.0460
2	Glass nut / flange	P250GH / 1.0460	S355J2G3 / 1.0570
3	*Gasket	St.Steel / Graphite	St. Steel / Graphite
4	*Window glass	Tempered borosilicate glass	Tempered borosilicate glass
5	Bolts	/	Steel 8.8

* Available spare parts

