

DOUBLE WINDOW SIGHT GLASS DW40SS (Stainless steel)

DESCRIPTION

For monitoring the right operation of a steam trap to avoid leakage of live steam and consequently big energy losses, a sight glass is recommended to be installed downstream of the steam trap.

Double window DW sight glass, has been designed for this particular application.

Connections are female screwed or flanged.

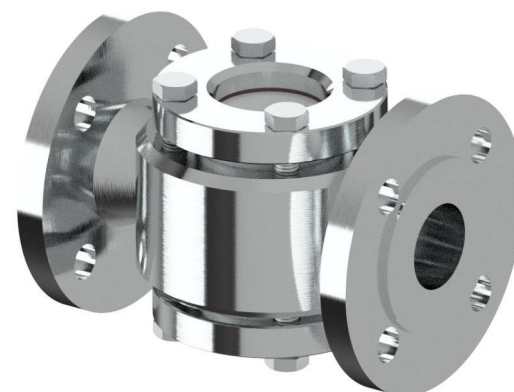
- OPTIONS:** Mica shield discs for steam use
- USE:** Condensate pipes downstream steam traps.
- AVAILABLE MODELS:** DW 40 SS
- SIZES:** DN ½" to DN 2"; DN 15 to DN 50
- CONNECTIONS:** Female screwed ISO 7/1Rp(BS21).
NPT (ANSI B1.20.1)
Flanged EN 1092-1 or ANSI
- INSTALLATION:** Horizontal or vertical installation.
See IMI, installation and maintenance instructions.



DN1/2" - 1"



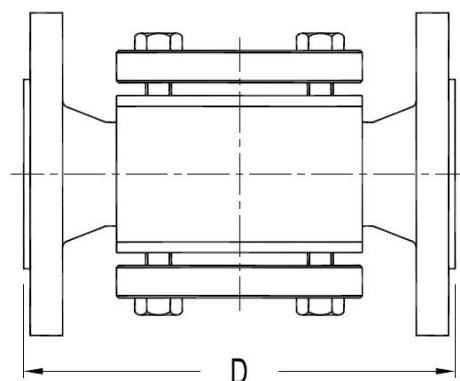
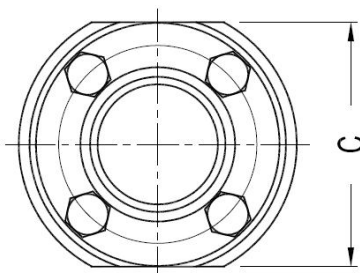
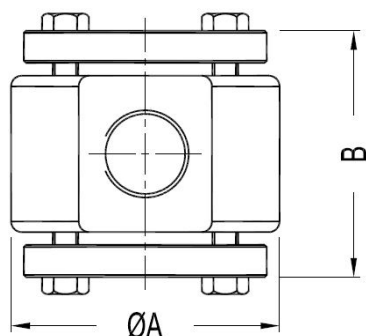
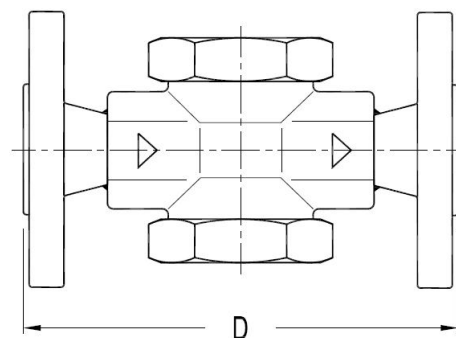
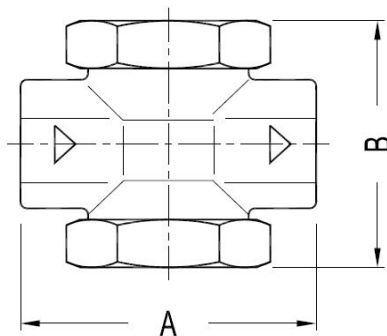
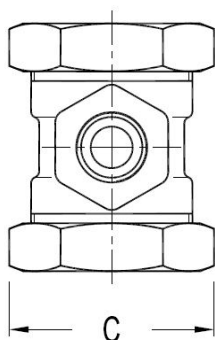
DN1 1/4" - 2"



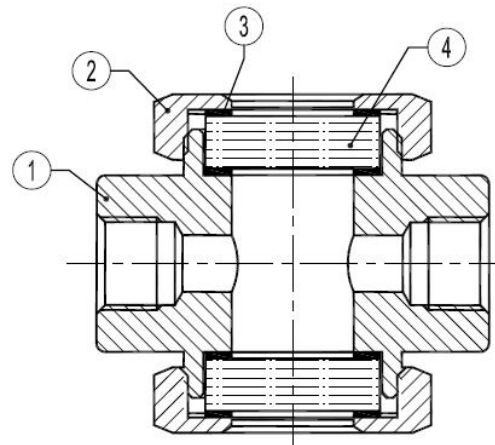
LIMITING CONDITIONS			
DW40SS - PN40		DW40SS - PN25	
ALLOWABLE PRESSURES	RELATED TEMP.	ALLOWABLE PRESSURES	RELATED TEMP.
40 bar	-10 / 100°C	25 bar	-10 / 100°C
36,3 bar	150 °C	22,7 bar	150 °C
33,7 bar	200 °C	21 bar	200 °C
30,5 bar	280 °C	19,02	280 °C

For steam use mica shield discs

CE MARKING (PED - European Directive 97/23/EC)	
PN25 / PN40	Category
DN 15-32	SEP - art. 3, paragraph3
DN 40-50	1 (CE Marked)



DIMENSIONS (mm)-Screwed				EN 1092-1 Flanges		
SIZE DN	A	B	C	WGT. Kgs	D	WGT. Kgs
15	90	80	60	1,25	150	2,8
20	90	80	60	1,25	150	3,4
25	100	87	65	2,1	160	4,7
32	130	115	114	6,2	180	9,5
40	130	115	114	6,5	200	10,5
50	130	125	114	7,5	230	12,5



MATERIALS			
POS.	DESIGNATION	DN15 - DN25	DN32 - DN50
1	Body	AISI 316 / 1.4401	AISI 316 / 1.4401
2	Glass nut / flange	AISI 316 / 1.4401	AISI 316 / 1.4401
3	*Gasket	St.Steel / Graphite	St. Steel / Graphite
4	*Window glass	Tempered borosilicate glass	Tempered borosilicate glass
5	Bolts	/	Stainless steel A-2

* Available spare parts

