

DOUBLE WINDOW SIGHT GLASS DW12 (Bronze)

DESCRIPTION

For monitoring the right operation of a steam trap to avoid leakage of live steam and consequently big energy losses, a sight glass is recommended to be installed downstream of the steam trap.

Double window DW sight glass, has been designed for this particular application.

Connections are female screwed.

OPTIONS: Mica shield discs for steam use

USE: Condensate pipes downstream steam traps.

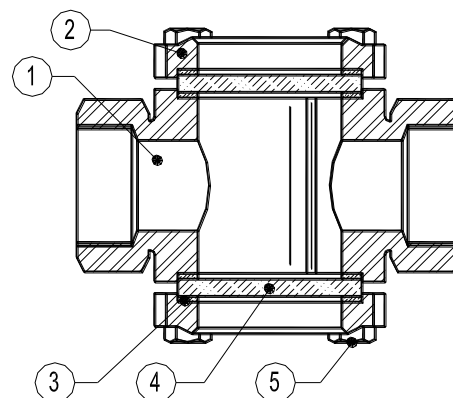
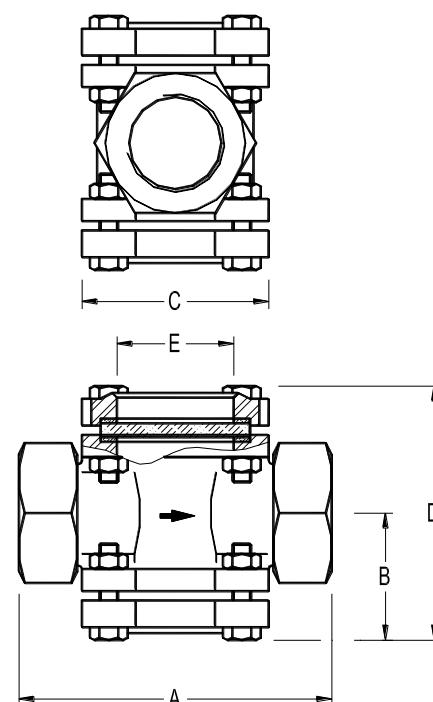
AVAILABLE

MODELS: DW 12

SIZES: DN 1 1/4" to DN 2"

CONNECTIONS: Female screwed ISO 7/1Rp(BS21).

INSTALLATION: Horizontal or vertical installation.
See IMI, installation and maintenance instructions.



LIMITING CONDITIONS	
ALLOWABLE PRESSURES	RELATED TEMPERATURE
16 bar	-10 /120° C
14,4 bar	150 °C
13,4 bar	180 °C
12,8 bar	200 °C

DIMENSIONS (mm)						
SIZE DN	A	B	C	D	E	WGT. Kgs
1 1/4"	125	55	83	109	50	2,5
1 1/2"	135	57	83	113	50	2,8
2"	170	70	104	139	60	5

MATERIALS		
POS.Nr.	DESIGNATION	MATERIAL
1	Body	Bronze B62 / ASTM B148-97
2	Glass nut	Bronze B62 / ASTM B148-97
3	* Gasket	St. Steel / Graphite
4	* Window glass	Tempered borosilicate glass
5	Bolts	Steel 8.8

*Available spare parts.