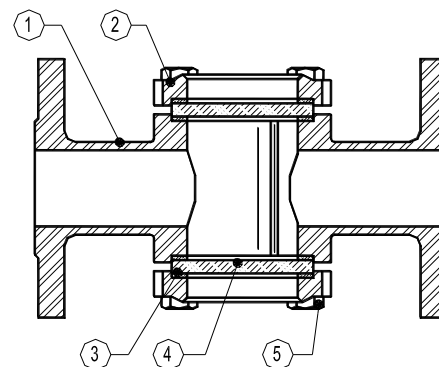
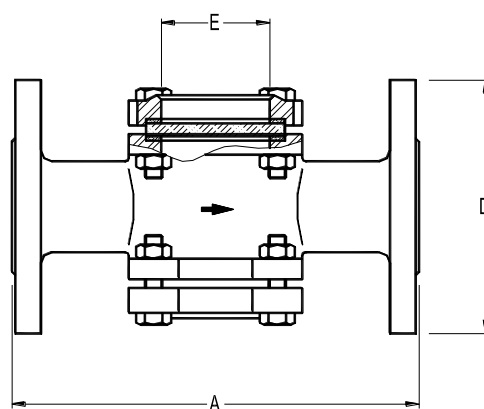


WINDOW SIGHT GLASS DW12G – DW12SS

DESCRIPTION

For monitoring the right operation of a steam trap to avoid leakage of live steam and consequently big energy losses, a sight glass is recommended to be installed downstream the steam trap. Double window DW sight glass, has been designed for this particular application. Connections are flanged.

- OPTIONS:** Mica shield discs
- USE:** Condensate pipes downstream steam traps.
- AVAILABLE MODELS:** DW12G – PN16 Cast iron
DW12SS – PN25 Stainless steel
- SIZES:** DN15 to DN150
- CONNECTIONS:** Flanged EN 1092-1/-2 PN16-PN25
- INSTALLATION:** Horizontal or vertical installation.
See IMI installation and maintenance instructions.



LIMITING CONDITIONS DW12G		LIMITING CONDITIONS DW12SS	
ALLOWABLE PRESSURES	RELATED TEMP.	ALLOWABLE PRESSURES	RELATED TEMP.
16 bar	-10 /120° C	25 bar	-10 /37° C
14,4 bar	150 °C	18 bar	93 °C
12,8	200 °C	16 bar	148 °C
11,8	230 °C	14 bar	204 °C
10,5	280 °C	11 bar	280 °C

For steam use mica shield discs

DIMENSIONS (mm)					
SIZE DN	A	B	C	Weight (kgs)	
				DW12G	DW12SS
15	130	95	44	3	3
20	150	105	44	3,5	4
25	160	115	44	4	5
32	180	140	50	6	6,5
40	200	150	50	6,5	7,3
50	230	165	60	9	10,5
65	290	185	90	17	17
80	310	200	90	18	20
100	350	220	110	23	26,5
125	400	250	142	50	52
150	480	285	160	63	68

CE MARKING (PED-European Directive 97/23/EC)			
PN 16	Category	PN 25	Category
DN15 to DN50	SEP - art. 3, paragraph3	DN15 to DN40	SEP - art. 3, paragraph3
DN65 to DN150	1 (CE Marked)	DN50 to DN125	1 (CE Marked)
-	-	DN150	2 (CE Marked)

MATERIALS			
POS.	DESIGNATION	MATERIAL DW12G	MATERIAL DW12SS
1	Body	GJL-250 / 0.6025	CF8M / 1.4408
2	Cover	GJL-250 / 0.6025	CF8M / 1.4408
3	* Gasket	Graphite	Graphite
4	* Window	Borosilicate glass	Borosilicate glass
5	Bolts	Steel 8.8	A2-70

* Available spare parts.