

WAFER BALL VALVES MWS1

DESCRIPTION

MWS1 wafer ball valves are isolating valves designed for use on steam, condensate and other gases and liquids compatible with the construction.

The valve is not designed as a control valve and should be used only as an isolating valve, fully open or fully closed.

Connections are flanged wafer.



MAIN FEATURES

Full bore floating ball design.

Bidirectional.

Anti blow out proof stem.

Antistatic device.

ISO 5211 mounting.

OPTIONS: Different sealing materials.
Lever extension for insulation.

USE: Steam, gases and liquids compatible with the construction.

AVAILABLE MODELS: MWS1 – Cast steel.

RATING: PN16

SIZES: DN15 to DN 150

CONNECTIONS: Flanged EN1092-1 PN16.

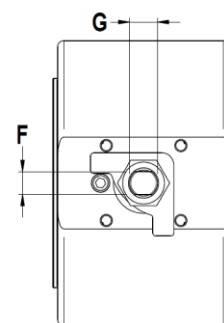
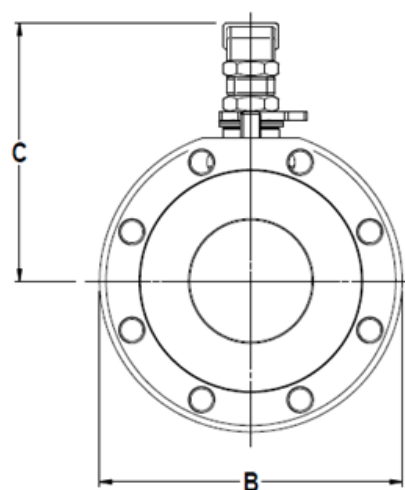
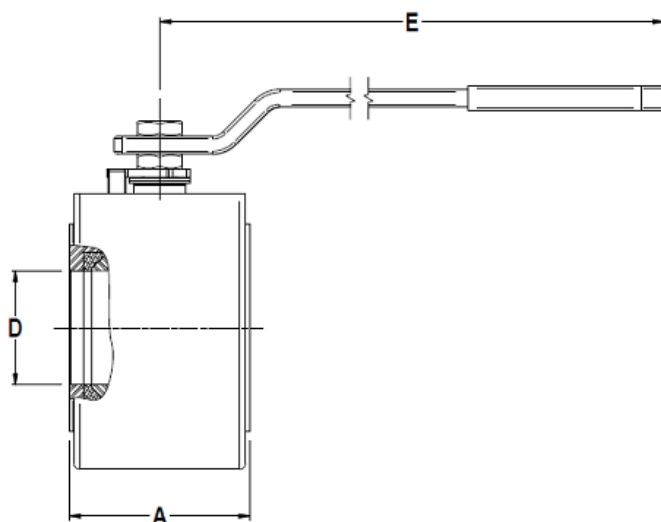
INSTALLATION: See IMI, installation and maintenance instructions.

LIMITING CONDITIONS MWS1	
ALLOWABLE PRESSURES	RELATED TEMPERATURE
16 bar	-10 /60° C
14,8 bar	100 °C
14 bar	150 °C
7 bar	220 °C

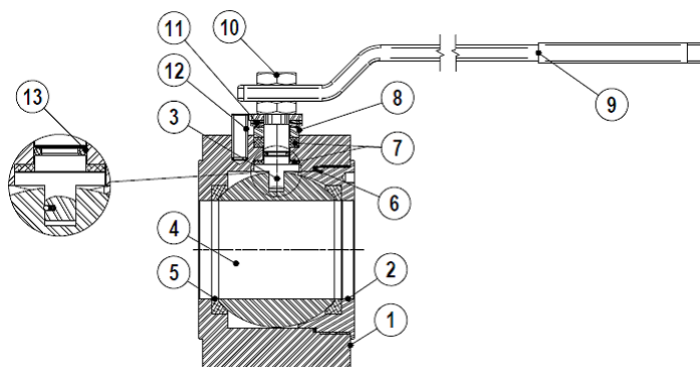
CE MARKING (PED - European Directive 97/23/EC)	
PN 16	Category
DN15 to DN50	SEP - art. 3, paragraph3
DN65 to DN150	1 (CE Marked)

DIMENSIONS (mm)									
SIZE DN	A	B	C	D	E	F	G	ISO 5211	WGT. Kgs
15	35	88	78	14	150	/	/	NA	1,5
20	42	98	87	19	185	7,5	M12	F04	2
25	46	108	91	25	185	7,5	M12	F04	2,7
32	55	128	106	32	280	9	M14	F05	3,8
40	66	138	111	38	280	9	M14	F05	6,5
50	72	148	120	48	280	9	M14	F05	8
65	98	168	157	65	380	14	M22	F07	15
80	120	188	161	76	380	14	M22	F07	20
100	140	220	181	95	480	18	M30	F07	30
125	177	250	205	119	480	18	M30	F10	47
150	210	280	220	145	480	18	M30	F10	69

NA - Not available.



MATERIALS		
POS.	DESIGNATION	MATERIAL MW1S
1	Body	ASTM A-105 / 1.0432
2	Body cap	ASTM A-105 / 1.0432
3	Stem	AISI 316 / 1.4401
4	Ball	AISI 304 / 1.4301
5	*Seat	PTFE /GR
6	*Body gasket	PTFE/GR
7	*Stem gasket	PTFE/GR
8	Gland	AISI 304 / 1.4301
9	Lever	Zinc plated carbon st.
10	Gland nut	Steel 8.8 zinc plated
11	Washer springs	Spring steel
12	Stop pin	Zinc plated carbon st.
13	Stem o-ring	Viton



* Available spare parts.