

LEVEL GAUGE LGC135I

DESCRIPTION

The LGC level gauge valve was specially conceived to supervise the functioning and visualization of liquid level in pressure operated condensate pumps, reservoirs and other equipment whenever compatible with operation boundaries.

May be supplied either with glass or without.

MAIN FEATURES

Stainless steel construction

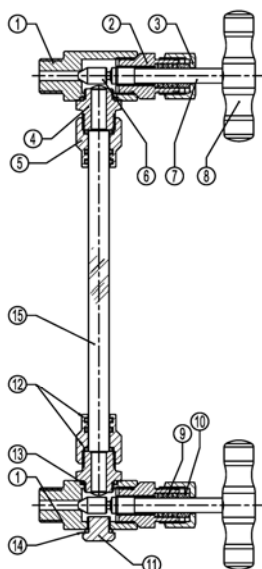
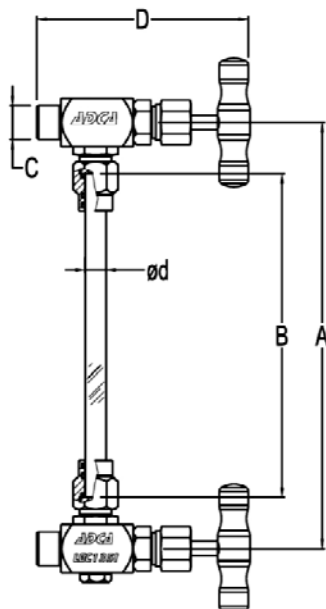
AVAILABLE

MODELS: LGC 135I

CONNECTIONS : DN 1/2"

LIMITING CONDITIONS :

Working pressure: 12 bar at 200°C



DIMENSIONS (mm)						
SIZE DN	A	B	C	D	d	WGT. Kgs
1/2"x13	*	*	1/2"	135	13	1,4

* Dimension B is obtained by deducting 66 to A

MATERIALS		
POS.	DESIGNATION	MATERIAL
1	Valve body	AISI316 / 1.4401
2	Bonnet	AISI316 / 1.4401
3	Packing nut	AISI316 / 1.4401
4	Socket	AISI316 / 1.4401
5	Glass union	AISI316 / 1.4401
6	*O-ring	Viton
7	Valve stem	AISI316 / 1.4401
8	Handwheel	AISI316 / 1.4401
9	*Packing	PTFE/Graphite
10	Gland	AISI316 / 1.4401
11	Lower plug	AISI316 / 1.4401
12	*O-rings	Viton
13	*O-ring	Viton
14	*O-ring	Viton
15	*Tube glass	Borosilicate

* Available spare parts.