

WATER SEAL POT POT

DESCRIPTION

ADCA POT's are specially designed to protect the actuator diaphragms of RP45 pressure regulators when the media temperature exceeds the maximum operating allowed temperature of the actuator and diaphragm.

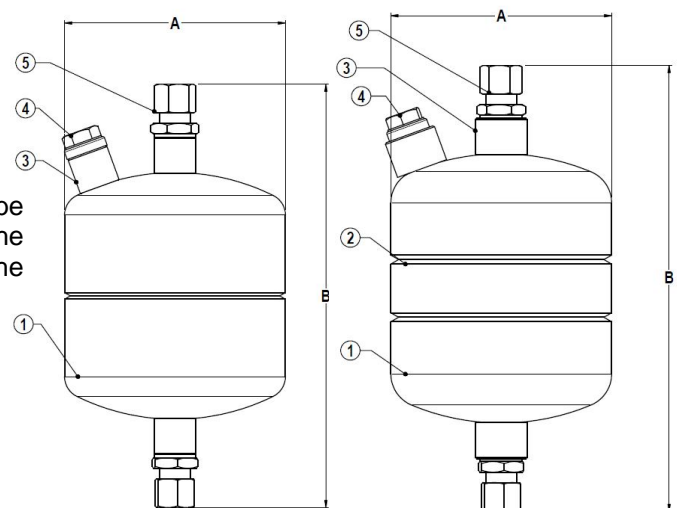
OPTIONS: Bigger sizes for special applications or when there is quick pressure or flow rate fluctuation.
Different connection sizes and materials under request against extra price.

USE: In conjunction with RP45 series pressure reducing valves

AVAILABLE MODELS: POT-4S - PN16 steel construction
POT-4SS – PN16 stainless steel
POT-41S – PN40 carbon steel

SIZES AND CONNECTIONS 3/8" Female screwed ISO7/1 Rp (BS21)
(Compression fittings – 3/8" x 10)

INSTALLATION: Connection to the steam pipe must be always depressurized when filling the vessel with water, in order to avoid the risk of scalding. See RP45 IMI.



POT-4S

POT-41S

CE MARKING - GROUP 2 GASES CAT.		
RATING	SIZE	CAT.
PN16-PN40	DN 3/8"	SEP

LIMITING CONDITIONS **								
Model	Press. bar	Temp. °C	Model	Press. bar	Temp. °C	Rating	Press. bar	Temp. °C
POT-4S PN16	16	50	POT-4SS PN16	16	50	POT-41S PN40	40	50
	14	100		16	100		37	100
	13 *	195		13 *	195		31 *	239
	12	250		12	250		27	300

DIMENSIONS (mm)				
MODEL	A	B	VOL. Lts.	WGT Kg
POT-4S	114	224	1,3	1,9
POT-4SS	114	226	1,3	1,9
POT-41S	114	232	1,3	2,8

*PMO-Max.operating pressure for saturated steam. Minimum operating temp.: -10°C.

Design code: AD-Merkblatt; ** Rating according to EN1092:2007.

MATERIALS				
POS.	DESIGNATION	POT-4S	POT-4SS	POT-41S
1	Heads	S235JRG2 / 1.0038	ASTM A403 WP316L	EN10028-2 / P265GH / 1.0425
2	Pipe	/	ASTM A312TP316L	EN10216-2 / P235GH / 1.0325
3	Sockets	ASTM A105 / 1.0432	AISI316 / 1.4401	S355J2G3 / 1.0570
4	Plug	ASTM A105 / 1.0432	AISI316 / 1.4401	ASTM A105 / 1.0432
5	Compression fitting	Fe/Zn - ISO 2081 - Cl.L	316Ti / 1.4571 - Cl.S	Fe/Zn - ISO 2081 - Cl.L