

DIAPHRAGM SENSING PRESSURE REDUCING VALVE PRV 30SS DN 1" – 1 1/4"; DN25 – DN32

DESCRIPTION

The ADCA PRV30 series **direct acting, spring-loaded diaphragm sensing, balanced valve** pressure reducing valves, are designed for use on compressed air, water and other gases or liquids compatible with the materials of construction .

They are suitable for pressure reducing stations at the point of use on laundry machines, dyeing, food industries, sterilizers, etc.

MAIN FEATURES

Compact design.
Balanced valve.


OPTIONS:

Different soft valves for water and gases.
Relieving-Internal relief valve to allow reduce outlet pressure in a no-flow condition.
Outlet 1/4" gauge connection on body.
Regulating screw with top cap.

PN40
PN63
USE:

Compressed air, water and other gases and liquids compatible with the construction.

AVAILABLE MODELS:

PRV30/SS – Stainless steel.

SIZES:

DN 1" and DN 1 1/4"
DN 25 and DN 32

CONNECTIONS:

Female screwed ISO7/1Rp(BS 21) or NPT.
Flanged EN1092-1 PN40-PN63.
Special flanges upon request.

INSTALLATION:

Horizontal installation.
An "Y" strainer should be provided upstream the valve.
See IMI, installation and maintenance instructions.

ORDER
REQUIREMENTS :

Type of fluid
Maximum operating temperature
Inlet pressure and required outlet pressure
Capacity (maximum and minimum).

CAPACITIES		
Valve Size	25	32
KVs (m3/h)	6,5	7,2

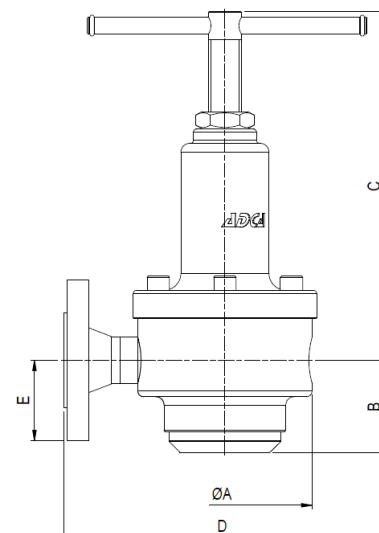
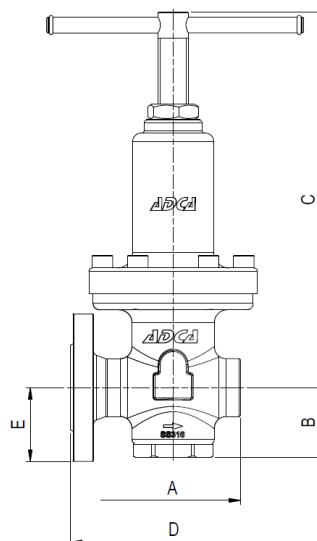
LIMITING CONDITIONS	
Valve model	PRV30SS
Body design conditions	PN 63
Max.upstream pressure	50 bar
Max.downstream pressure	15 bar
Min.downstream pressure	0,2 bar
Max.design temperature *	80 °C
Max.recommended reducing ratio	40:1

*Other on request.

CE MARKING (PED - European Directive 97/23/EC)	
PN 16 - PN 63	Category
DN 25 to 32	SEP - art. 3, paragraph3

DIMENSIONS (mm) - CASTED VERSION							
Screwed				Fig. PN16/40			
SIZE DN	A	B	C	WGT. Kgs	D*	E	WGT. Kgs
1"-25	105	60	295	6,3	160	57,5	8,5

* Different lenghts on request.



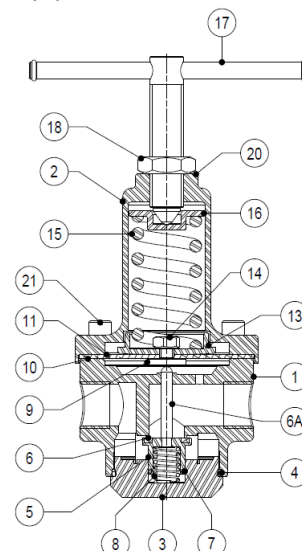
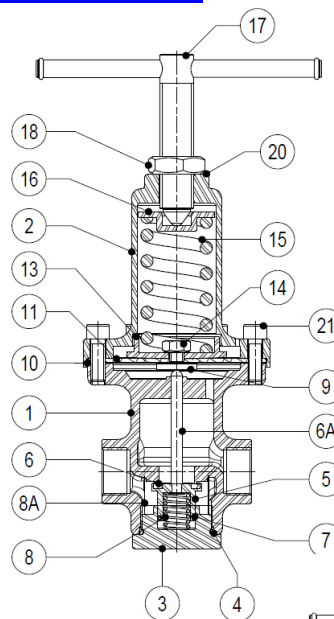
DIMENSION (mm) - BARSTOCK VERSION																
Screwed				Fig. PN16/40			Fig. PN63/100			ANSI 150 lbs			ANSI 300 lbs			
SIZE DN	A	B	C	Kg	D*	E	Kg	D*	E	Kg	D*	E	Kg	D*	E	Kg
1"-25	125	66	250	7,5	230	58	11	230	70	13	230	54	10,5	230	62	11,5
1 1/4"-32	125	66	250	7,5	260	70	11	260	78	14	260	59	11	260	67	12

* Different lenghts on request.

MATERIALS		
POS.	DESIGNATION	MATERIAL
1	VALVE BODY	AISI316 / 1.4401 ; CF8M / 1.4408
2	TOP COVER	CF8M / 1.4408
3	SEAT COVER	AISI316 / 1.4401
4	* O-RING	NBR
5	* PISTON VALVE	AISI316 / 1.4401
6	* VALVE HEAD	NBR-EPDM-PTFE, etc
6A	PUSHROD	AISI316 / 1.4401
7	* O-RING	NBR-EPDM-PTFE, etc
8	* VALVE SPRING	AISI302 / 1.4300
8A	* STRAINER SCREEN	AISI304 / 1.4301
9	PUSHER DISC	AISI304 / 1.4301
10	* DIAPHRAGM	PTFE
11	* DIAPHRAGM	**NBR
13	SPRING PLATE	AISI304 / 1.4301
14	NUT	ST.STEEL A2-70
15	* ADJUSTMENT SPRING	SPRING STEEL
16	TOP SPRING PLATE	BRASS
17	ADJUSTMENT SCREW	AISI304 / 1.4301
18	LOCKNUT	ST.STEEL A2-70
20	SPRING IDENT. PLATE	ALUMINIUM
21	BOLTS	ST.STEEL A2-70

* Available spare parts. ** Stainless steel on request .

Remarks: All valves have a serial number. In case of non-standard valves this number must be supplied if spare parts are ordered.





ORDERING CODES PRV30SS										
Valve Model	R30	.	1	W	N	C	R	.	.	15
PRV30SS - Diaphragm sensing	R30									
Outlet spring range										
Nº1 - 0,2 to 1,5 bar			1							
Nº2 - 0,3 to 3 bar			2							
Nº3 - 0,8 to 8 bar			3							
Nº4 - 1,5 to 15 bar			4							
Aplication										
Water				W						
Gases				G						
Oxygen (Degreased)				O						
Seal material										
NBR					N					
EPDM					E					
PTFE					T					
FPM/VITON					V					
Maximum inlet pressure										
30 bar						C				
50 bar a)						D				
Diaphragm material										
Stainless steel (Non-relieving)							S			
Rubber/PTFE (Relieving or non-relieving)							R			
Gauge port 1/4"										
Without gauge ports								(1)		
Gauge port on the left side (Related to the flow direction)								4		
Gauge port on the right side (Related to the flow direction)								3		
Gauge ports on both sides								2		
Relieving										
Non-relieving									(1)	
Relieving (Only for non-dangerous gases)									R	
Pipe connection										
Threaded BSP ISO 7/1 Rp										A
Threaded NPT ANSI B1.20.1										C
Socket weld SW ANSI B16.11										H
Butt weld BW ANSI B16.25										I
Flanged EN1092-1 PN40										N
Flanged EN1092-1 PN63										O
Flanged ANSI B16.5 150#										U
Flanged ANSI B16.5 300#										V
Flanged ANSI B16.5 600#										W
Size										
DN 1" or DN 25										25
DN 1 1/4" or DN 32										32
.....										
Special valves / Extras b)										E

(1) Omitted if a standard valve is requested

a) The 50 bar inlet available only with spring Nº4

b) Full description or additional codes have to be added in case of non-standard combination.