

DIAPHRAGM SENSING PRESSURE REDUCING VALVE PRV 30SS DN 1 1/2" – 2"; DN40 – DN50

DESCRIPTION

The ADCA PRV30 series **direct acting, spring-loaded diaphragm sensing, balanced valve** pressure reducing valves, are designed for use on compressed air, water and other gases or liquids compatible with the materials of construction .

They are suitable for pressure reducing stations at the point of use on laundry machines, dyeing, food industries, sterilizers, etc.

MAIN FEATURES

Compact design.
Balanced valve.
Machined from barstock materials.

OPTIONS: Different soft valves for water and gases.
Relieving-Internal relief valve to allow reduce outlet pressure in a no-flow condition.
Built-in strainer.
Outlet 1/4" gauge connection on body.
Regulating screw with top cap.

USE: Compressed air, water and other gases and liquids compatible with the construction.

AVAILABLE MODELS: PRV30/SS – Stainless steel.

SIZES: DN 1 1/2" and DN 2"
DN 40 and DN 50

CONNECTIONS: Female screwed ISO7/1Rp(BS 21) or NPT.
DN40-Flanged EN1092-1 Type11 B PN 40-63
DN50-Flanged EN1092-1 Type01 A PN 40 *
DN50-Flanged EN1092-1 Type11 B PN 63
*Type 11 B PN40 welding neck available, with different face to face dimension.

INSTALLATION: Horizontal installation.
An "Y" strainer should be provided upstream the valve.
See IMI, installation and maintenance instructions.

ORDER REQUIREMENTS : Type of fluid
Maximum operating temperature
Inlet pressure and required outlet pressure
Capacity (maximum and minimum).


**Type 11 B
Flanges**

**Type 01 A
Flanges**

CAPACITIES		
Valve Size	40	50
KVs (m3/h)	12,7	13,7

LIMITING CONDITIONS	
Valve model	PRV30SS
Body design conditions	PN 63
Max.upstream pressure	50 bar
Max.downstream pressure	15 bar
Min.downstream pressure	0,2 bar
Max.design temperature *	80 °C
Max.recommended reducing ratio	40:1

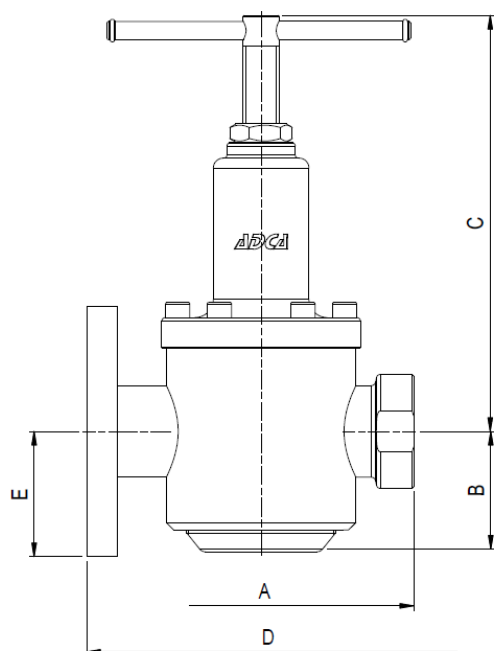
*Other on request.

CE MARKING (PED - European Directive 97/23/EC)	
PN 63	Category
DN 40-50	1 (CE Marked)

DIMENSIONS (mm)																		
Screwed					Fig.PN16/40			Fig.PN63/100				ANSI 150 lbs			ANSI 150 lbs			
SIZE DN	A	B	C	WGT. Kgs	D*	E	WGT. Kgs	D*	E PN63	E PN100	WGT. Kgs	D*	E	WGT. Kgs	D*	E	WGT. Kgs	
1 1/2"-40	205	86	268	13	201	75	16,3	260	85	85	20,3	235	63,5	15,5	248	78	18	
2"-50	201	80	274	13,3	** 230	82,5	18,5	300	90	97,5	22,8	254	76	18	267	82,5	20	

* Different lengths and ANSI flanges available on request.

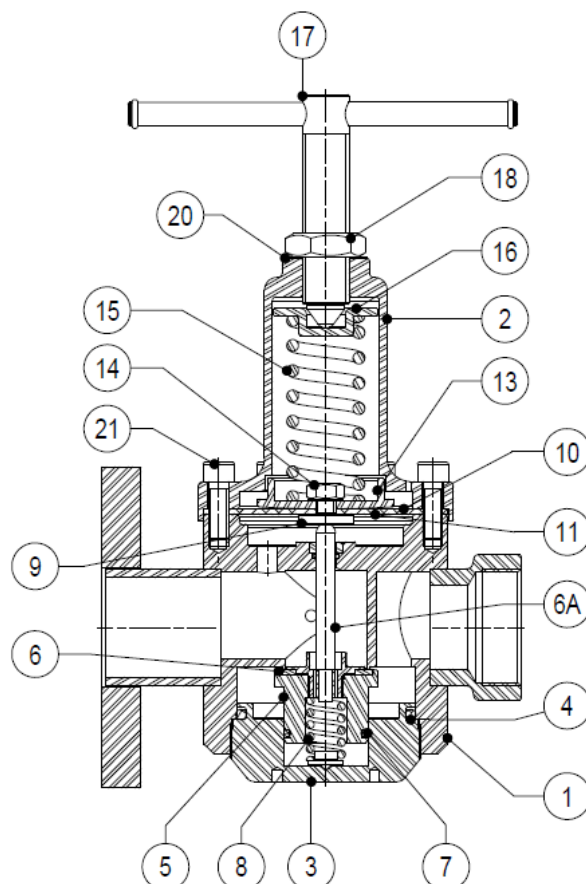
** Only available with flat flanges EN 1092-1 Type01 A. Welding neck Type11 B flanges as option with 300mm minimum face to face dimensions.



MATERIALS		
POS.	DESIGNATION	MATERIAL
1	VALVE BODY	AISI316 / 1.4401
2	TOP COVER	CF8M / 1.4408
3	SEAT COVER	AISI316 / 1.4401
4	* O-RING	NBR
5	* PISTON VALVE	AISI316 / 1.4401
6	* VALVE HEAD	NBR-EPDM-PTFE, etc
6A	PUSHROD	AISI316 / 1.4401
7	* O-RING	NBR-EPDM-PTFE, etc
8	* VALVE SPRING	AISI302 / 1.4300
9	PUSHER DISC	AISI304 / 1.4301
10	* DIAPHRAGM	PTFE
11	* DIAPHRAGM	**NBR
13	SPRING PLATE	AISI304 / 1.4301
14	NUT	ST.STEEL A2-70
15	* ADJUSTMENT SPRING	SPRING STEEL
16	TOP SPRING PLATE	BRASS
17	ADJUSTMENT SCREW	AISI304 / 1.4301
18	LOCKNUT	ST.STEEL A2-70
20	SPRING IDENT. PLATE	ALUMINIUM
21	BOLTS	ST.STEEL A2-70

* Available spare parts. ** Stainless steel on request .

Remarks: All valves have a serial number. In case of non-standard valves this number must be supplied if spare parts are ordered.





ORDERING CODES PRV30SS										
Valve Model	R30	.	1	W	N	C	R	.	.	15
PRV30SS - Diaphragm sensing	R30									
Outlet spring range										
Nº1 - 0,2 to 1,5 bar			1							
Nº2 - 0,3 to 3 bar			2							
Nº3 - 0,8 to 8 bar			3							
Nº4 - 1,5 to 15 bar			4							
Aplication										
Water				W						
Gases				G						
Oxygen (Degreased)				O						
Seal material										
NBR					N					
EPDM					E					
PTFE					T					
FPM/VITON					V					
Maximum inlet pressure										
30 bar							C			
50 bar a)							D			
Diaphragm material										
Stainless steel (Non-relieving)							S			
Rubber/PTFE (Relieving or non-relieving)							R			
Gauge port 1/4"										
Without gauge ports								(1)		
Gauge port on the left side (Related to the flow direction)								4		
Gauge port on the right side (Related to the flow direction)								3		
Gauge ports on both sides								2		
Relieving										
Non-relieving									(1)	
Relieving (Only for non-dangerous gases)									R	
Pipe connection										
Threaded BSP ISO 7/1 Rp										A
Threaded NPT ANSI B1.20.1										C
Socket weld SW ANSI B16.11										H
Butt weld BW ANSI B16.25										I
Flanged EN1092-1 PN40										N
Flanged EN1092-1 PN63										O
Flanged ANSI B16.5 150#										U
Flanged ANSI B16.5 300#										V
Flanged ANSI B16.5 600#										W
Size										
DN 1/2" or DN 15										15
DN 3/4" or DN 20										20
....										25
										32
										40
										50
Special valves / Extras b)										E

(1) Omitted if a standard valve is requested

a) The 50 bar inlet available only with spring Nº4

b) Full description or additional codes have to be added in case of non-standard combination.