

PISTON SENSING PRESSURE REDUCING VALVE PRV 31SS DN 11/2" – 2"; DN40 – DN50

DESCRIPTION

The ADCA PRV31 series **direct acting, spring-loaded piston sensing, balanced valve** pressure reducing valves, are designed for use on compressed air, water and other gases or liquids compatible with the materials of the construction.

They are suitable for pressure reducing stations at the point of use on laundry machines, dyeing, food industries, sterilizers, etc.

Connections are female screwed or flanged.

MAIN FEATURES

Compact design.
Balanced valve.
Machined from barstock materials.

OPTIONS: Different soft valves for water and gases.
Relieving-Internal relief valve to allow reduce outlet pressure in a no-flow condition.
Built-in strainer.
Outlet 1/4" gauge connection on body.
Regulating screw with top cap.

USE: Compressed air, water and other gases and liquids compatible with the construction.

AVAILABLE MODELS: PRV31/SS – Stainless steel.

SIZES: DN 11/2" and DN 2"
DN 40 and DN 50

CONNECTIONS: Female screwed ISO7/1Rp(BS 21) or NPT.
DN40-Flanged EN1092-1 Type11 B PN 40-63
DN50-Flanged EN1092-1 Type01 A PN 40 *
DN50-Flanged EN1092-1 Type11 B PN 63
*Type 11 B PN40 welding neck available, with different face to face dimension.

INSTALLATION: Horizontal installation.
An "Y" strainer should be provided upstream the valve.
See IMI, installation and maintenance instructions.

ORDER REQUIREMENTS : Type of fluid
Maximum operating temperature
Inlet pressure and required outlet pressure
Capacity (maximum and minimum).



Type 11 B Flanges



Type 01 A Flanges

CAPACITIES		
Valve Size	40	50
KVs (m3/h)	14,4	15,4

LIMITING CONDITIONS	
Valve model	PRV31SS
Body design conditions	PN 63
Max.upstream pressure	50 bar
Max.downstream pressure	50 bar
Min.downstream pressure	3 bar
Max.design temperature *	80 °C
Max.recommended reducing ratio	40:1

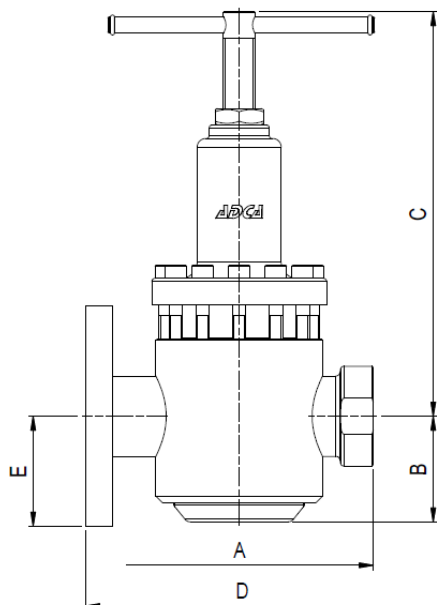
*Other on request.

CE MARKING (PED - European Directive 97/23/EC)	
PN 63	Category
DN 40-50	1 (CE Marked)

DIMENSIONS (mm)																		
Screwed					Fig.PN16/40			Fig.PN63/100				ANSI 150 lbs			ANSI 300 lbs			
SIZE DN	A	B	C	WGT. Kgs	D*	E	WGT. Kgs	D*	E PN63	E PN100	WGT. Kgs	D*	E	WGT. Kgs	D*	E	WGT. Kgs	
1 1/2"-40	205	86	305	14,8	201	75	18,1	260	85	85	22,1	235	63,5	17,5	248	78	20	
2"-50	201	80	305	15,1	** 230	82,5	20,3	300	90	97,5	24,6	254	76	20	267	82,5	21,7	

* Different lengths and ANSI flanges available on request.

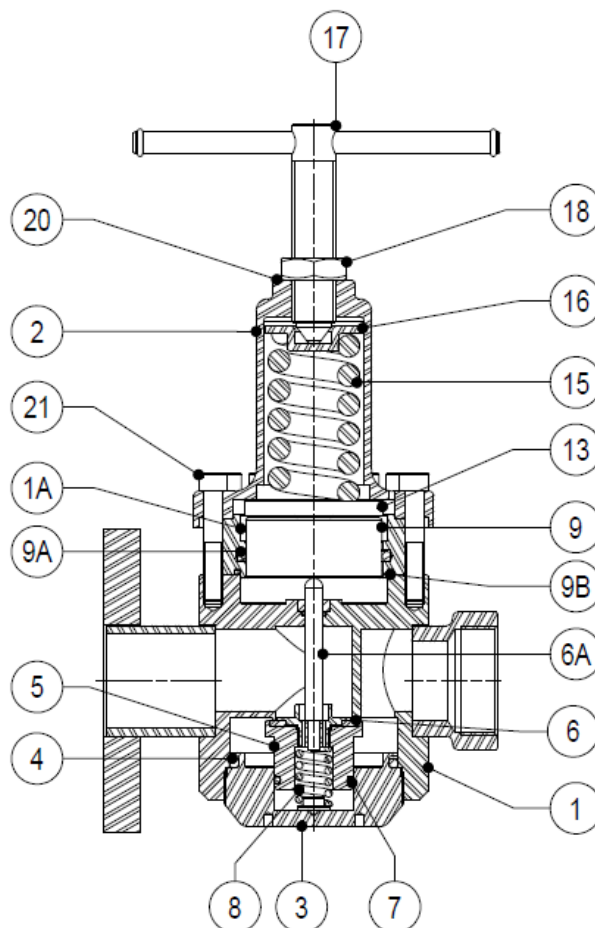
** Only available with flat flanges EN 1092-1 Type01 A. Welding neck Type11 B flanges as option with 300mm minimum face to face dimensions.



MATERIALS		
POS.	DESIGNATION	MATERIAL
1	VALVE BODY	AISI316 / 1.4401
1A	PISTON SLEEVE	AISI316 / 1.4401
2	TOP COVER	CF8M / 1.4408
3	SEAT COVER	AISI316 / 1.4401
4	* O-RING	NBR
5	* PISTON VALVE	AISI316 / 1.4401
6	* VALVE HEAD	NBR-EPDM-PTFE,etc
6A	PUSHROD	AISI316 / 1.4401
7	* O-RING	NBR-EPDM-PTFE,etc
8	* VALVE SPRING	AISI302 / 1.4300
9	PISTON	AISI316 / 1.4401
9A	* O-RING	NBR-EPDM-PTFE,etc
9B	*O-RING	NBR-EPDM-PTFE,etc
13	SPRING PLATE	AISI304 / 1.4301
15	* ADJUSTMENT SPRING	SPRING STEEL
16	TOP SPRING PLATE	BRASS
17	ADJUSTMENT SCREW	AISI304 / 1.4301
18	LOCKNUT	ST.STEEL A2-70
20	SPRING IDENT. PLATE	ALUMINIUM
21	BOLTS	STAINLESS ST. A2-70

* Available spare parts.

Remarks: All valves have a serial number. In case of non-standard valves this number must be supplied if spare parts are ordered.





ORDERING CODES PRV31SS									
Valve Model	R31	.	1	W	N	C	.	.	15
PRV31SS - Piston sensing	R31								
Outlet spring range									
Nº5 - 3 to 30 bar			5						
Nº6 - 5 to 50 bar			6						
Application									
Water				W					
Gases				G					
Oxygen (Degreased)				O					
Seal material									
NBR					N				
EPDM					E				
PTFE					T				
FPM/VITON					V				
Maximum inlet pressure									
30 bar						C			
50 bar						D			
Gauge port 1/4"									
Without gauge ports							(1)		
Gauge port on the left side (Related to the flow direction)							4		
Gauge port on the right side (Related to the flow direction)							3		
Gauge ports on both sides							2		
Relieving									
Non-relieving							(1)		
Relieving (Only for non-dangerous gases)							R		
Pipe connection									
Threaded BSP ISO 7/1 Rp								A	
Threaded NPT ANSI B1.20.1								C	
Socket weld SW ANSI B16.11								H	
Butt weld BW ANSI B16.25								I	
Flanged EN1092-1 PN40								N	
Flanged EN1092-1 PN63								O	
Flanged ANSI B16.5 150#								U	
Flanged ANSI B16.5 300#								V	
Flanged ANSI B16.5 600#								W	
Size									
DN 1/2" or DN 15									15
DN 3/4" or DN 20									20
....									25
									32
									40
									50
Special valves / Extras b)									
									E

(1) Omitted if a standard valve is requested

b) Full description or additional codes have to be added in case of non-standard combination.