

PISTON SENSING PRESSURE REDUCING VALVE PRV 41SS DN 1/4" – 1/2"; DN15

DESCRIPTION

The ADCA PRV41 series **direct acting, spring-loaded piston sensing, balanced valve** pressure reducing valves, are designed for use on compressed air, water and other gases or liquids compatible with the materials of the construction.

They are suitable for pressure reducing stations at the point of use on different industrial applications. Connections are female screwed or flanged.

MAIN FEATURES

Compact design.
Balanced valve.
Machined from barstock materials.

OPTIONS: Different soft valves for water and gases.
Relieving-Internal relief valve to allow reduce outlet pressure in a no-flow condition.
Outlet 1/4" gauge connection on body.
Regulating screw with top cap.

USE: Compressed air, water and other gases and liquids compatible with the construction.

AVAILABLE MODELS: PRV41/SS – Stainless steel.

SIZES: DN 1/4", 3/8" and 1/2"
DN 15

CONNECTIONS: Female screwed ISO7/1Rp(BS 21) or NPT.
Flanged EN 1092-1 PN40 - PN320.
Special flanges upon request.

INSTALLATION: Horizontal or vertical installation.
An "Y" strainer should be provided upstream the valve.
See IMI, installation and maintenance instructions.

ORDER REQUIREMENTS : Type of fluid
Maximum operating temperature
Inlet pressure and required outlet pressure
Capacity (maximum and minimum).



CAPACITIES			
Valve Size	8	10	15
KV's (m3/h)	0,7	0,8	0,9

LIMITING CONDITIONS	
Valve model	PRV41SS
Body design conditions	PN 320
Max.upstream pressure	220 bar
Max.dow nstream pressure	200 bar
Min.dow nstream pressure	3 bar
Max.design temperature *	80 °C
Max.recommended reducing ratio	40:1

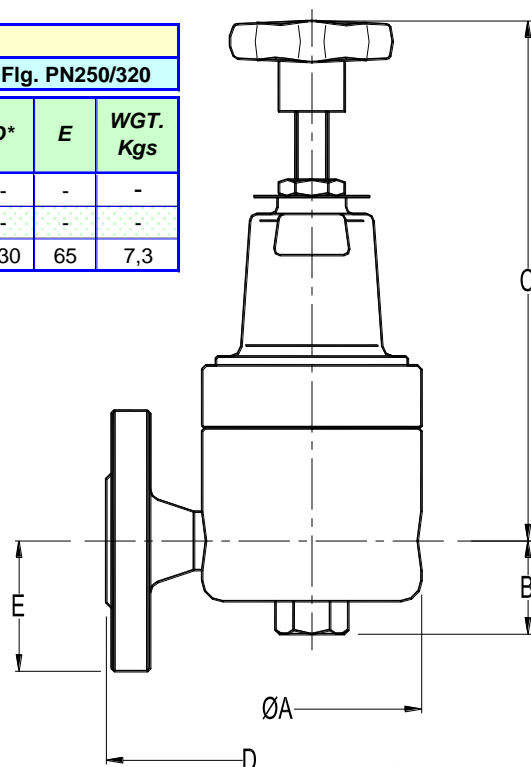
*Other on request.

CE MARKING (PED- European Directive 97/23/EC)	
PN 320	Category
DN10 to 15	SEP - art. 3, paragraph3

DIMENSIONS (mm)													
DIMENSIONS (mm)-Screwed					Fig. PN16/40			Fig. PN63/100			Fig. PN250/320		
SIZE DN	A	B	C	WGT. Kgs	D*	E	WGT. Kgs	D*	E	WGT. Kgs	D*	E	WGT. Kgs
1/4"	80	35	200	2,7	-	-	-	-	-	-	-	-	-
3/8"	80	35	200	2,7	-	-	-	-	-	-	-	-	-
1/2"-15	80	35	200	2,7	150	47,5	4,1	210	52,5	5	230	65	7,3

* Different lengths on request.

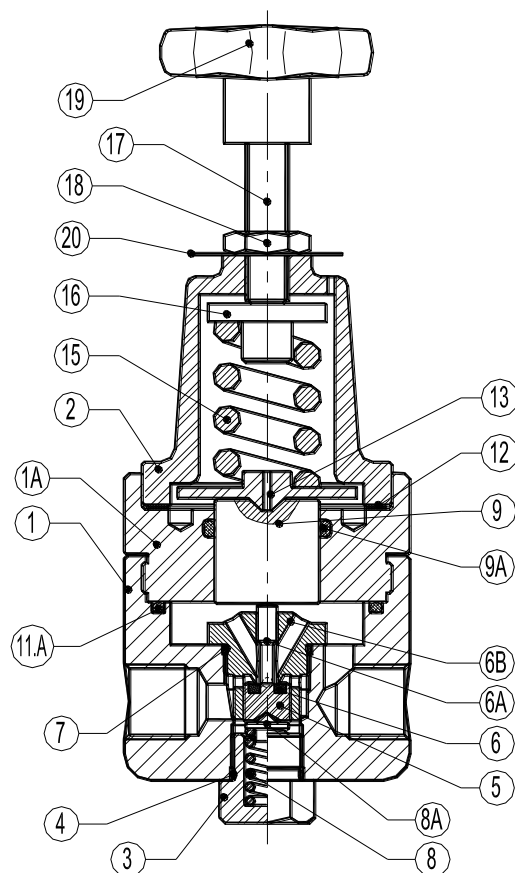
Note: DN15 PN16/40 face to face dim.was adopted as per DN20



MATERIALS		
POS.	DESIGNATION	MATERIAL
1	VALVE BODY	AISI316 / 1.4401 ; CF8M / 1.4408
1A	PISTON SLEEVE	AISI316 / 1.4401 ; CF8M / 1.4408
2	TOP COVER	AISI316 / 1.4401 ; CF8M / 1.4408
3	SEAT COVER	AISI316 / 1.4401
4	* O-RING	NBR
5	* PISTON VALVE	AISI316 / 1.4401
6	* VALVE HEAD	NBR-EPDM-PTFE,etc
6A	PUSHROD	AISI304 / 1.4301
6B	* VALVE SEAT	HARDENED ST.STEEL
7	* O-RING	NBR-EPDM-PTFE,etc
8	* VALVE SPRING	AISI302 / 1.4300
8A	* STRAINER SCREEN	AISI304 / 1.4301
9	PISTON	AISI316 / 1.4401
9A	O -RING	NBR-EPDM-PTFE,etc
11A	O -RING	NBR-EPDM-PTFE,etc
12	GASKET	ALUMINIUM
13	SPRING PLATE	AISI304 / 1.4301
15	* ADJUSTMENT SPRING	SPRING STEEL
16	TOP SPRING PLATE	BRASS
17	ADJUSTMENT SCREW	AISI304 / 1.4301
18	LOCKNUT	ST.STEEL A2-70
19	HANDWHEEL	PLASTIC
20	SPRING IDENT. PLATE	ALUMINIUM

* Available spare parts.

Remarks: All valves have a serial number. In case of non-standard valves this number must be supplied if spare parts are ordered.





ORDERING CODES PRV41									
Valve Model	R41	.	5	W	N	C	.	.	15
PRV41SS - Piston sensing	R41								
Outlet spring range									
Nº5 - 3 to 30 bar			5						
Nº6 - 5 to 50 bar			6						
Nº7 - 20 to 200 bar			7						
Application									
Water				W					
Gases				G					
Oxygen (Degreased)				O					
Seal material									
NBR					N				
EPDM					E				
PTFE					T				
FPM/VITON					V				
Maximum inlet pressure									
80 bar						E			
220 bar						F			
Gauge port 1/4"									
Without gauge ports							(1)		
Gauge port on the left side (Related to the flow direction)							4		
Gauge port on the right side (Related to the flow direction)							3		
Gauge ports on both sides							2		
Relieving									
Non-relieving							(1)		
Relieving (Only for non-dangerous gases)							R		
Pipe connection									
Threaded BSP ISO 7/1 Rp								A	
Threaded NPT ANSI B1.20.1								C	
Socket weld SW ANSI B16.11								H	
Butt weld BW ANSI B16.25								I	
Flanged EN1092-1 PN40								N	
Flanged EN1092-1 PN63								O	
Flanged EN1092-1 PN100								P	
Flanged EN1092-1 PN160								Q	
Flanged EN1092-1 PN250								R	
Flanged EN1092-1 PN320								S	
Flanged ANSI B16.5 150#								U	
Flanged ANSI B16.5 300#								V	
Flanged ANSI B16.5 600#								W	
Size									
DN 1/4"									08
DN 3/8"									10
DN 1/2" or DN 15									15
Special valves / Extras b)									
									E

(1) Omitted if a standard valve is requested

b) Full description or additional codes have to be added in case of non-standard combination.