

DIAPHRAGM SENSING PRESSURE SUSTAINING VALVE PS4

DESCRIPTION

The ADCA PS4 series **direct acting, spring-loaded diaphragm sensing**, pressure sustaining valves are designed for use on compressed air, water and other gases or liquids compatible with the materials of the construction.

In general this valve maintains the upstream pressure under control. They are suitable for pressure sustaining applications where small loads are involved. They are also specifically recommended to operate as pilot valves in combination with other pressure regulators (SP4 and SP6).

Connections are female screwed.

MAIN FEATURES

Compact design.

High sensibility external diaphragm sensing connection



OPTIONS: Different soft valves for water and gases.
1/4" pressure gauge connection on body.
Regulating screw with top cap.

USE: Compressed air, water and other gases and liquids compatible with the construction.

AVAILABLE MODELS: PS4S – Cast steel
PS4I – Stainless steel wetted parts (complete stainless steel on request)

SIZES: DN 1/2" to DN 1"

CONNECTIONS: Female screwed ISO7/1Rp(BS 21) or NPT.

INSTALLATION: Horizontal installation.
An "Y" strainer should be provided upstream the valve.
See IMI, installation and maintenance instructions.

ORDER REQUIREMENTS : Type of fluid
Maximum operating temperature
Required opening pressure
Capacity (maximum and minimum).

CAPACITIES			
Valve Size	15	20	25
KVs (m3/h)	3,6	3,6	3,7

LIMITING CONDITIONS	
Valve model	PS4
Body design conditions	PN 40
Max.upstream pressure	15 bar
Min.upstream pressure	0,35 bar
Max.design temperature *	80 °C

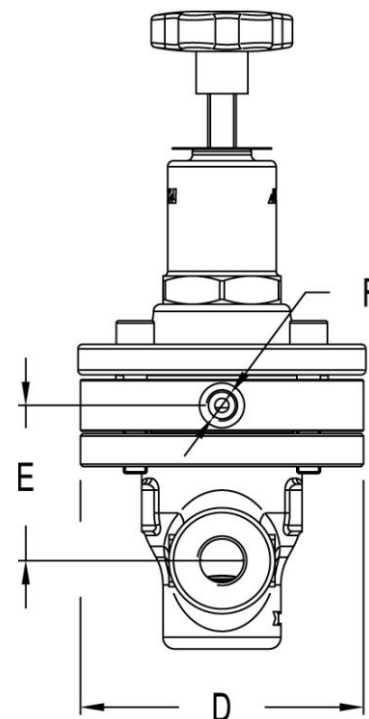
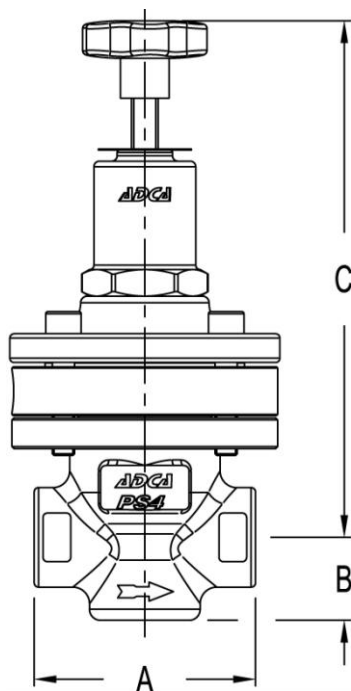
*Other on request.

Sustaining valves are not substitute of safety valves or vacuum relief valves

CE MARKING (PED-European Directive 97/23/EC)	
PN 16-PN40	Category
DN 15 to 25	SEP - art. 3, paragraph3

DIMENSIONS (mm)

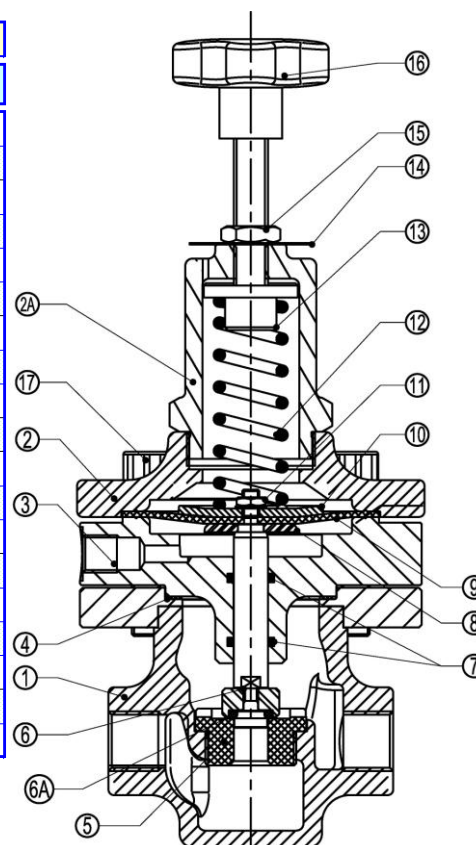
SIZE DN	A	B	C	D	E	F	WGT. Kgs
15	100	37,5	247	120	66	1/4"	8,6
20	100	37,5	247	120	66	1/4"	8,6
25	100	37,5	247	120	66	1/4"	8,6


MATERIALS

POS.	DESIGNATION	PS4S	PS4I
1	VALVE BODY	ASTM A216WCB / 1.0619	CF8M / 1.4408
2	TOP COVER	CF8 / 1.4308	CF8 / 1.4308
2A	COVER SPRING	CF8 / 1.4308	CF8 / 1.4308
3	GUIDE PLATE	S355J2G3 / 1.0570	AISI316 / 1.4401
4	* GASKET	GRAPH.-EPDM-PTFE,...	GRAPH.-EPDM-PTFE,...
5	* VALVE SEAT	AISI316 / 1.4401	AISI316 / 1.4401
6	* STEM AND PLUG	AISI316 / 1.4401	AISI316 / 1.4401
6A	* VALVE SEALING	NBR-EPDM-PTFE, etc	NBR-EPDM-PTFE, etc
7	* O-RING	NBR-EPDM-PTFE, etc	NBR-EPDM-PTFE, etc
8	PUSHER DISC	AISI316 / 1.4401	AISI316 / 1.4401
9	* DIAPHRAGM	NBR-EPDM-PTFE, etc	NBR-EPDM-PTFE, etc
10	SPRING PLATE	AISI304 / 1.4301	AISI304 / 1.4301
11	NUT	ST.STEEL A2-70	ST.STEEL A2-70
12	* ADJUST. SPRING	SPRING STEEL	SPRING STEEL
13	TOP SPRING PLATE	BRASS	BRASS
14	SPRING ID. PLATE	ALUMINIUM	ALUMINIUM
15	LOCKNUT	ST.STEEL A2-70	ST.STEEL A2-70
16	HANDWHEEL	PLASTIC	PLASTIC
17	BOLTS	STEEL 8.8	A2 - 70

* Available spare parts.

Remarks: All valves has a serial number. In case of non-standard valves this number must be supplied if spare parts are ordered.





ORDERING CODES PS4									
Valve Model	PS4S	.	1	S		S		.A	08
PS7S Carbon steel pilot regulator	PS4S								
PS7SS Stainless steel pilot regulator	PS4I								
Operating spring range (see table)									
Green (0,35 to 2 bar)			1						
Blue (1,5 to 5,5 bar)			2						
Red (3,5 to 8,5 bar)			3						
Black (7 to 17 bar)			4						
Aplication									
Gases				G					
Water				W					
Seal material									
EPDM				E					
PTFE				T					
FPM/VITON				V					
Diaphragm									
NBR					N				
Gauge port 1/8" *									
Without gauge ports						(1)			
Gauge port on the left side (Related to the flow direction)						4			
Gauge port on the right side (Related to the flow direction)						3			
Gauge ports on both sides						2			
Pipe connection									
Threaded BSP ISO 7/1 Rp							A		
Threaded NPT ANSI B1.20.1							C		
Size									
DN 1/2"									15
DN 3/4"									20
DN 1"									25
Special valves / Extras a)									
									E

* Gauge port can also be used as external sensing line.

(1) Omitted if a standard valve is requested

a) Full description or additional codes have to be added in case of non-standard combination.