

DIAPHRAGM SENSING PRESSURE SUSTAINING VALVE PS30SS DN 1/2" – 2"; DN15 – DN50

DESCRIPTION

The ADCA PS30 series **direct acting, spring-loaded diaphragm sensing**, pressure sustaining valves are designed for use on compressed air, water and other gases or liquids compatible with the materials of the construction.

They are suitable for pressure sustaining applications where low capacity is required.

In general this valve maintains the upstream pressure under control.

Connections are female screwed or flanged.

MAIN FEATURES

Compact design.

Machined from barstock materials or investment casting.



Size shown: DN 1/2"

- OPTIONS:** Different soft valves for water and gases.
1/4" gauge connection on body.
Regulating screw with top cap.
- USE:** Compressed air, water and other gases and liquids compatible with the construction.
- AVAILABLE MODELS:** PS30/SS – Stainless steel.
- SIZES:** DN 1/2" to DN 2"
DN 15 to DN 50
- CONNECTIONS:** Female screwed ISO7/1Rp(BS 21) or NPT.
Flanged EN 1092-1 PN40-PN63.
Special flanges upon request.
- INSTALLATION:** Horizontal installation.
An "Y" strainer should be provided upstream the valve.
See IMI, installation and maintenance instructions.
- ORDER REQUIREMENTS :** Type of fluid
Maximum operating temperature
Required opening pressure
Capacity (maximum and minimum).

CAPACITIES						
Valve Size	15	20	25	32	40	50
KVs (m3/h)	2,1	2,4	6,5	7,2	12,7	13,7

LIMITING CONDITIONS	
Valve model	PS30SS
Body design conditions	PN 63
Max.upstream pressure	15 bar
Min.upstream pressure	0,2 bar
Max.design temperature *	80 °C

*Other on request.

Sustaining valves are not substitute of safety valves or vacuum relief valves

CE MARKING (PED-European Directive 97/23/EC)		
PN 16	PN 40-PN63	Category
DN 15 to 50	DN 15 to 32	SEP
/	DN 40 - DN50	1 (CE Marked)

DIMENSIONS (mm)-Screwed

SIZE DN	A	B	C	WGT. Kgs
1/2"-15	80	38	175	1,8
3/4"-20	80	38	175	1,8
1" - 25	105	66	250	6,3
1 1/4"-32	125	66	250	7,5
1 1/2"-40	205	86	270	13
2" - 50	201	80	274	13,3

Different face to face dimentions on request.

DIMENSIONS (mm) - Flanged

EN 1092-1 Flg.PN16/PN40

EN 1092-1 Flg.PN63/PN100

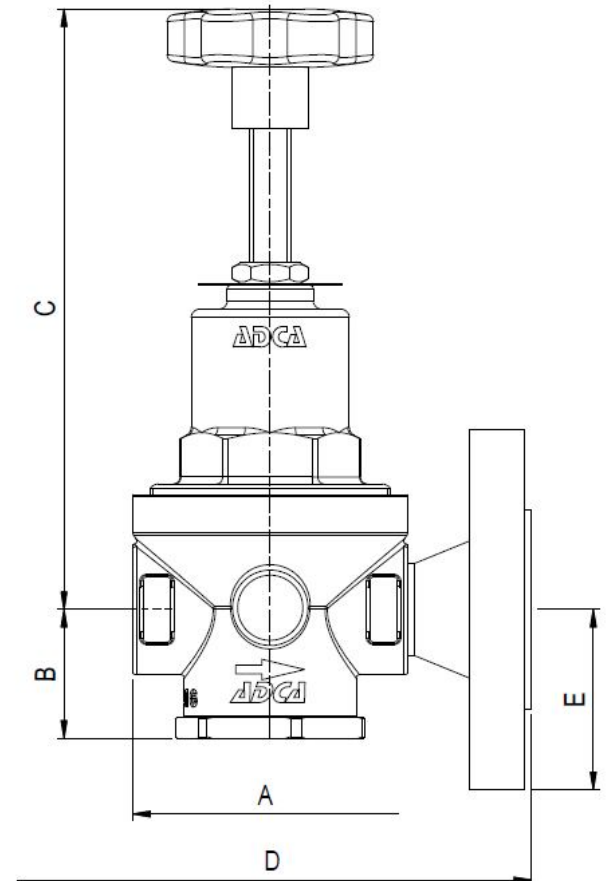
SIZE DN	D*	E	WGT. Kgs	D*	E PN63	E PN100	WGT. Kgs
15	150	47,5	3,2	210	52,5	52,5	4
20	150	52,5	3,8	230	70	70	6
25	160 (230)	57,5	8,5(10,5)	230	70	70	12,8
32	260	70	11,4	260	77,5	77,5	14,4
40	200	75	16,3	260	85	85	20,3
50	**230	82,5	18,5	300	90	97,5	22,8

* Different lengths and ANSI flanges available on request.

** Only available with flat flanges EN 1092-1 Type01 A. Welding neck

Type11 B flanges as option with 300mm minimum face to face dimensions.

() Alternative



MATERIALS

POS.	DESIGNATION	MATERIAL
1	VALVE BODY (a)	CF8M / 1.4408 (AISI316 / 1.4401)
2	TOP COVER (b)	CF8M / 1.4408 (AISI316 / 1.4401)
3	SEAT COVER (a)	CF8M / 1.4408 (AISI316 / 1.4401)
4	* O-RING	NBR
5	VALVE SEAT	AISI316 / 1.4401
6	SEALING	NBR
7	* O-RING	NBR-EPDM-PTFE,etc
9	VALVE PLUG	AISI316 / 1.4401
10	* DIAPHRAGM	PTFE
11	* DIAPHRAGM	NBR
11A	*O-RING	NBR-EPDM-PTFE,etc
12	GASKET	ALUMINIUM
13	SPRING PLATE	AISI304 / 1.4301
14	NUT	ST. STEEL A2-70
15	* ADJUSTMENT SPRING	SPRING STEEL
16	TOP SPRING PLATE	BRASS
17	ADJUSTMENT SCREW	AISI304 / 1.4301
18	LOCKNUT	ST. STEEL A2-70
19	HANDWHEEL	PLASTIC
20	SPRING IDENT. PLATE	ALUMINIUM

* Available spare parts.

Remarks: All valves has a serial number. In case of non-standard valves this number must be supplied if spare parts are ordered.

a) Barstock execution on request (standard for sizes DN32-50)

b) Barstock execution on request

