

PISTON SENSING PRESSURE SUSTAINING VALVE PS31SS DN 1/2" – 2"; DN15 – DN50

DESCRIPTION

The ADCA PS31 series **direct acting, spring-loaded piston sensing**, pressure sustaining valves are designed for use on compressed air, water and other gases or liquids compatible with the materials of the construction. They are suitable for pressure sustaining applications where low capacity is required.

In general this valve maintains the upstream pressure under control.

Connections are female screwed or flanged.

MAIN FEATURES

Compact design.

Machined from barstock materials or investment casting.



Size shown: DN15 - 1/2"

OPTIONS: Different soft valves for water and gases.
Built-in strainer.
1/4" gauge connection on body.
Regulating screw with top cap.

USE: Compressed air, water and other gases and liquids compatible with the construction.

AVAILABLE MODELS: PS31/SS – Stainless steel.

SIZES: DN 1/2" to DN 2"
DN 15 to DN 50

CONNECTIONS: Female screwed ISO7/1Rp(BS 21) or NPT.
Flanged EN 1092-1 PN40 – PN63.
Special flanges upon request.

INSTALLATION: Horizontal installation.
An "Y" strainer should be provided upstream the valve.
See IMI, installation and maintenance instructions.

ORDER REQUIREMENTS : Type of fluid
Maximum operating temperature
Required opening pressure
Capacity (maximum and minimum).

CAPACITIES						
Valve Size	15	20	25	32	40	50
KVs (m3/h)	3	3,5	7,5	8,2	14,4	15,4

LIMITING CONDITIONS	
Valve model	PS31SS
Body design conditions	PN 63
Max.upstream pressure	50 bar
Min.upstream pressure	3 bar
Max.design temperature *	80 °C

*Other on request.
Sustaining valves are not substitute of safety valves or vacuum relief valves

CE MARKING (PED-European Directive 97/23/EC)		
PN 16	PN 40-PN63	Category
DN 15 to 50	DN 15 to 32	SEP
/	DN 40 - DN50	1 (CE Marked)

DIMENSIONS (mm)-Screwed				
SIZE DN	A	B	C	WGT. Kgs
1/2"-15	80	38	175	2,6
3/4"-20	80	38	175	2,6
1" - 25	105	66	320	8,6
1 1/4"-32	125	66	320	9,7
1 1/2"-40	205	86	305	14,8
2" - 50	201	80	305	15,1

* Different face to face dimensions on request.

DIMENSIONS (mm) - Flanged							
EN 1092-1 Flg.PN16/PN40				EN 1092-1 Flg.PN63/PN100			
SIZE DN	D*	E	WGT. Kgs	D*	E PN63	E PN100	WGT. Kgs
15	150	47,5	4	210	52,5	52,5	4,9
20	150	52,5	4,7	230	70	70	6,9
25	160 (230)	57,5	10,7(12,4)	230	70	70	15,1
32	260	70	13,5	260	77,5	77,5	16,5
40	200	75	18,1	260	85	85	22,1
50	**230	82,5	20,3	300	90	97,5	24,6

* Different lengths and ANSI flanges available on request.

** Only available with flat flanges EN 1092-1 Type01 A. Welding neck

Type11 B flanges as option with 300mm minimum face to face dimensions.

(i) Alternative

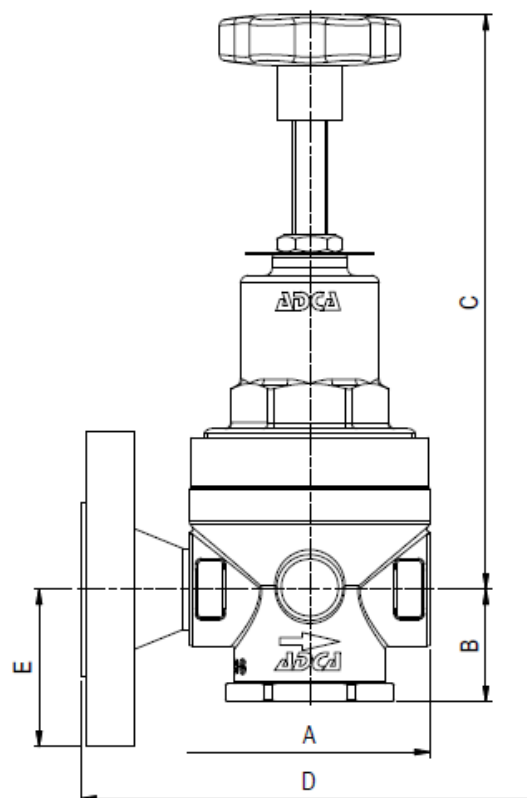
MATERIALS		
POS.	DESIGNATION	MATERIAL
1	VALVE BODY (a)	CF8M / 1.4408 (AISI316 / 1.4401)
1A	PISTON SLEEVE	AISI316 / 1.4401
2	TOP COVER (b)	CF8M / 1.4408 (AISI316 / 1.4401)
3	SEAT COVER (a)	CF8M / 1.4408 (AISI316 / 1.4401)
4	* O-RING	NBR
5	VALVE SEAT	AISI316 / 1.4401
6	SEALING	NBR
7	* O-RING	NBR-EPDM-PTFE, etc
9	PISTON	AISI316 / 1.4401
9A	* O-RING	NBR-EPDM-PTFE, etc
11A	O-RING	NBR-EPDM-PTFE, etc
12	GASKET	ALUMINIUM
13	SPRING PLATE	AISI304 / 1.4301
15	* ADJUSTMENT SPRING	SPRING STEEL
16	TOP SPRING PLATE	BRASS
17	ADJUSTMENT SCREW	AISI304 / 1.4301
18	LOCKNUT	ST.STEEL A2-70
19	HANDWHEEL	PLASTIC
20	SPRING IDENT. PLATE	ALUMINIUM

* Available spare parts.

Remarks: All valves has a serial number. In case of non-standard valves this number must be supplied if spare parts are ordered.

a) Barstock execution on request (standard for sizes DN32-50)

b) Barstock execution on request



Size shown: DN15 - 1/2"

