

## BALANCED PRESSURE THERMOSTATIC STEAM TRAP High Capacity Clean Steam Trap TSS 6H (DN 1/2" – 1 1/2")

### DESCRIPTION

The TSS6H all stainless steel thermostatic steam traps and air vents are specifically designed for use in reactors, sterilizers and distribution lines in clean and pure steam systems.

Their small size make them ideal for use with a wide variety of these equipments.

The thermostatic element is very sensitive and designed to open with a minimum sub-cooling of around 2°C related to the saturated steam temperature.

### MAIN FEATURES

Modulating discharge.

Wide range of connections options.

Excellent air discharge.

Simple and compact design.

### STANDARD SURFACE FINISH

Internal wetted parts: ≤ 0,51 micron Ra – SF1

External : ≤ 0,76 micron Ra – SF3

Other surface conditions see IS PV20.00-Technical information.

Ultrasonic cleaning.



**OPTIONS:** Special designs under request.  
Different standard connection.

**USE:** Saturated clean steam.

### AVAILABLE

**MODELS:** TSS 6H.

**SIZES:** 1/2" to 1 1/2"

**CONNECTIONS:** ASME BPE.

Clamp ferrules.

**PACKAGING:** Assembling and packaging in a clean room certified according to ISO 14644-1. The product is end capped and vacuum sealed with recyclable plastic film to avoid contamination.

**INSTALLATION:** Vertical installation.

PMA Max. allowable pressure 10 bar

TMA Max. allowable temperature 177 °C

PMO Max. operating pressure 6 bar

TMO Max. operating temperature 165 °C

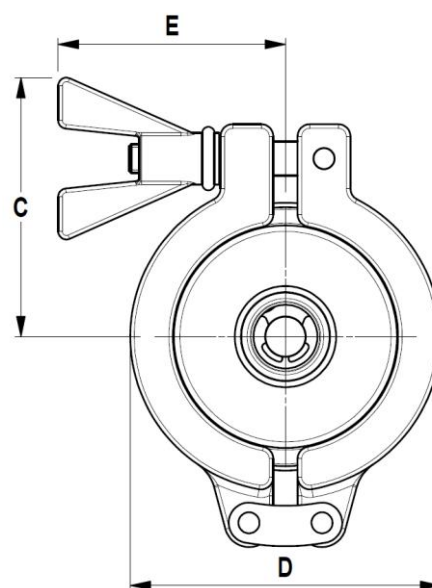
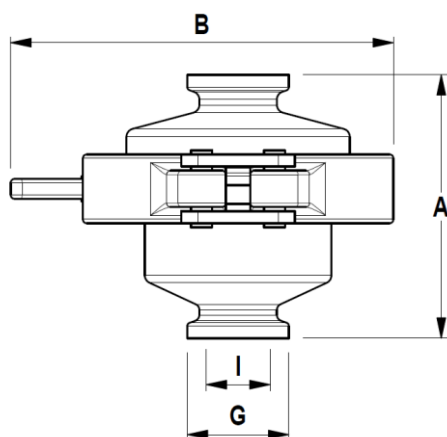
FLOW RATE CAPACITY IN Kg/h											
MODEL	SIZE	DIFFERENTIAL PRESSURE (bar)									
		0,2	0,3	0,5	1	1,5	2	3	4	5	6
TSS6H (A)	1/2"	320	380	410	550	680	909	1081	1199	1372	1403
TSS6H (B)	1/2"	912	980	1079	1641	1964	2216	2831	3242	3611	3693
TSS6H (A)	3/4"	605	640	710	900	1096	1284	1801	2000	2330	2510
TSS6H (B)	3/4"	1186	1294	1354	1970	2372	2737	3312	3845	4227	4584
TSS6H (A)	1" - 1 1/2"	780	810	915	1188	1412	1840	2305	2970	3494	3962
TSS6H (B)	1" - 1 1/2"	1291	1378	1477	2052	2531	2873	3529	4104	4494	4966

Capacities shown refer to condensate at 5°C below saturated steam temperature .

A = Condensate discharge. B = Cold water capacity at about 20°C.

**DIMENSIONS (mm) ASME BPE**

SIZE	A	B	C	D	E	* G	I	WGT. Kg
1/2"	65	94	64	76,5	56	25	9,4	0,7
3/4"	65	94	64	76,5	56	25	15,75	0,7
1"	65	94	64	76,5	56	50,5	22,1	0,8
1 1/2"	65	94	64	76,5	56	50,5	34,8	0,8


**MATERIALS**

POS.	DESIGNATION	MATERIAL
1	Body	AISI316L / 1.4404
2	Cover	AISI316L / 1.4404
3	* Thermostat	AISI316L / 1.4404
4	* Gasket	PTFE/TFM® Envelope gasket **
5	Safety clamp	AISI316 / 1.4401

\* Available spare parts

\*\* FDA/USP Class VI seals certificate on request.

