

## SANITARY PRESSURE REDUCING VALVE P-130C (Clamped body)

### DESCRIPTION

The ADCA P-130C series **direct acting, spring-loaded diaphragm sensing**, pressure reducing valves are designed for use with compressed air, water and other gases or liquids compatible with the construction materials.

### MAIN FEATURES

Compact design.  
Completely machined from barstock material, no castings or forgings are used on the standard version.  
No rising stem.

### STANDARD SURFACE FINISH

Internal wetted parts:  $\leq 0,51$  micron Ra – SF1.  
External :  $\leq 0,76$  micron Ra – SF3.  
Other surface conditions see IS PV20.00-Technical information.  
Ultrasonic cleaning.

### OPTIONS:

Self relieving.  
Leakage line connection 1/8" (captured vent).  
Gauge connection on body.  
Different soft valves for liquids and gases.  
Special execution for steam.

### USE:

Compressed air, water and other gases and liquids compatible with the construction.

### AVAILABLE MODELS:

P-130C

### SIZES:

1/2" to 1" ; DN08 to DN25.

### OUTLET SPRING RANGES:

0,2 – 1,5 bar; 0,3 – 3 bar; 0,8 – 8 bar.

### CONNECTIONS:

Clamp ends or others on request.

### PACKAGING:

Assembling and packaging in a clean room certified according to ISO 14644-1.  
The product is end capped and vacuum sealed with recyclable plastic film to avoid contamination.

### INSTALLATION:

Horizontal installation.

### ORDER REQUIREMENTS:

Type of fluid .  
Maximum operating temperature .  
Inlet pressure and required outlet pressure  
Capacity (maximum and minimum).



Cut away view with pressure gauge connection

CE MARKING ( PED - European Directive )	
PN 16	Category
1/2" to 1"	SEP

### LIMITING CONDITIONS

Valve model	P-130C
Body design conditions	PN 16
Max.upstream pressure	16 bar
Max.downstream pressure	8 bar
Min.downstream pressure	0,2 bar
Max.design temperature *	150 °C

\*Other on request.

**DIMENSIONS (mm) ASME BPE**

SIZE	KVs* m <sup>3</sup> /h	A**	B	C	D	d1	d2**	E	F	H	WGT. Kg
1/2"	3	130	36,5	130	90	50,5	22,1	75	25	9,4	2,9
3/4"	3,2	130	36,5	130	90	50,5	22,1	80	25	15,75	2,9
1"	3,3	130	36,5	130	90	50,5	22,1	80	50,4	22,1	3,4

**DIMENSIONS (mm) DIN**

SIZE DN	KVs* m <sup>3</sup> /h	A**	B	C	D	d1	d2**	E	F	H	WGT. Kg
10	3	120	36,5	130	90	50,5	22,1	75	34	10	2,9
15	3,2	120	36,5	130	90	50,5	22,1	75	34	16	3
20	3,3	120	36,5	130	90	50,5	22,1	80	34	20	3,1
25	3,5	120	38,5	128	90	50,5	22,1	80	50,5	26	3,4

Clamp ferrules DIN 32676 Series A; Tube weld DIN 11866 Series A (DIN 11850 Series 2)

**DIMENSIONS (mm) ISO**

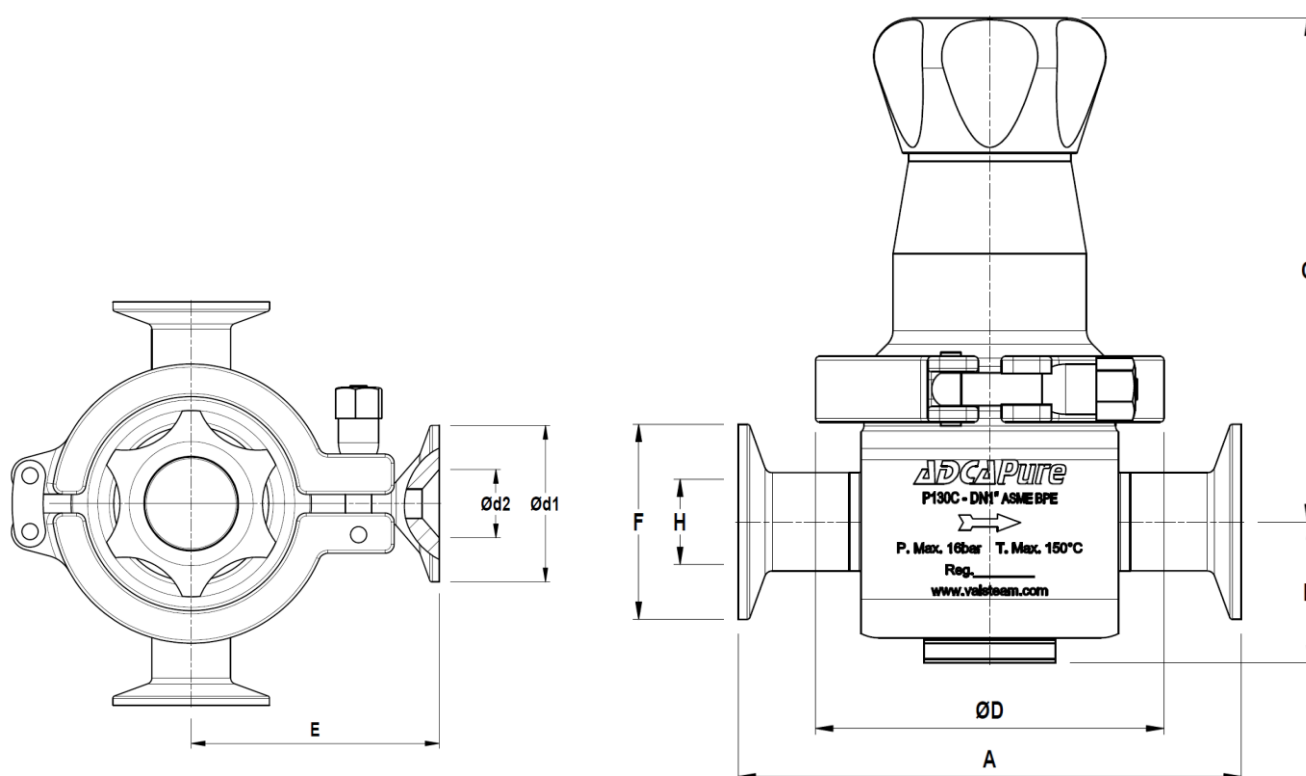
SIZE DN	KVs* m <sup>3</sup> /h	A*	B	C	D	d1	d2*	E	F	H	WGT. Kg
8	3	120	36,5	130	90	50,5	22,1	75	25	0,3	2,9
10	3,2	120	36,5	130	90	50,5	22,1	80	25	14	3
15	3,3	120	36,5	130	90	50,5	22,1	80	50,5	18,1	3,2
20	3,5	120	38,5	128	90	50,5	22,1	80	50,5	23,7	3,4

Clamp ferrule Clamp ferrules DIN 32676 Series B; Tube weld DIN 11866 Series B (ISO 1127 Series 1)

\*\* Reduced KVs on request.

\*\* Special versions or non-standard sanitary clamp ferrules are available on request, both for the inlet/outlet and pressure gauge connection.

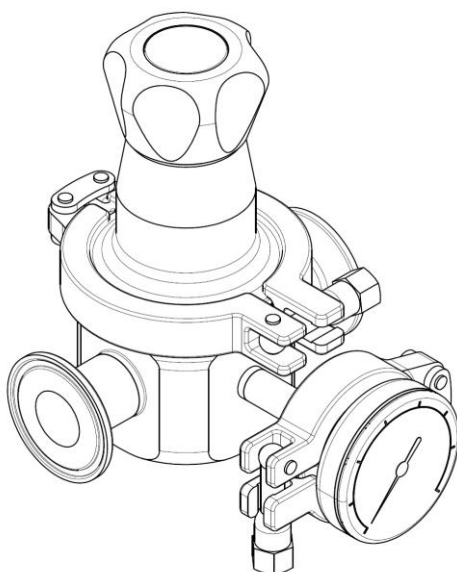
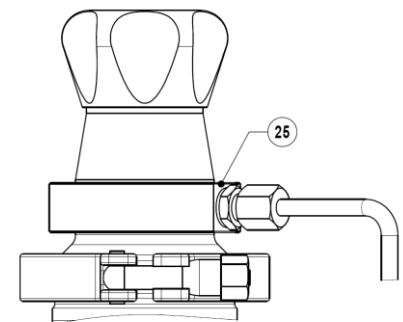
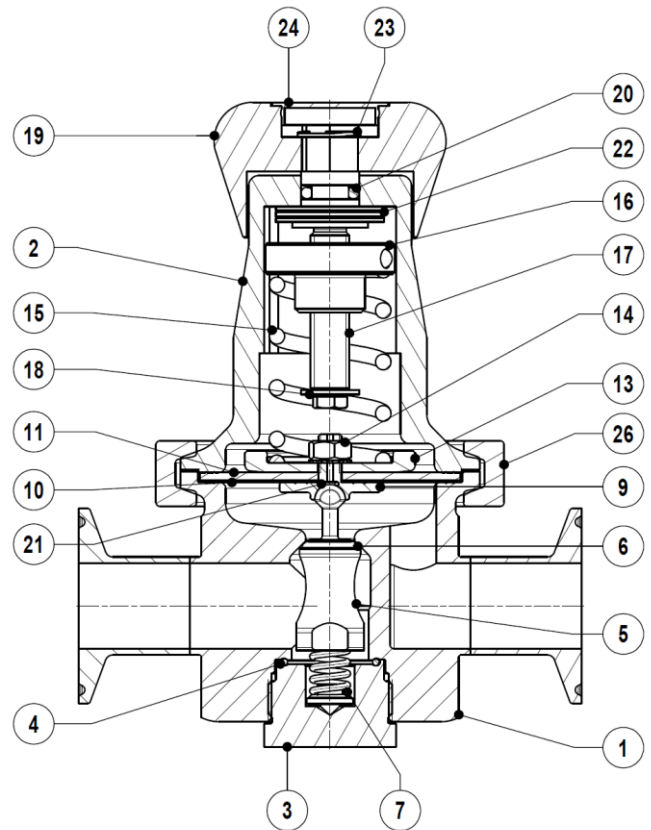
Valves with vinyl handwheel weight less 0,3 kg.


 Pressure gauge  
connection  
(Optional)

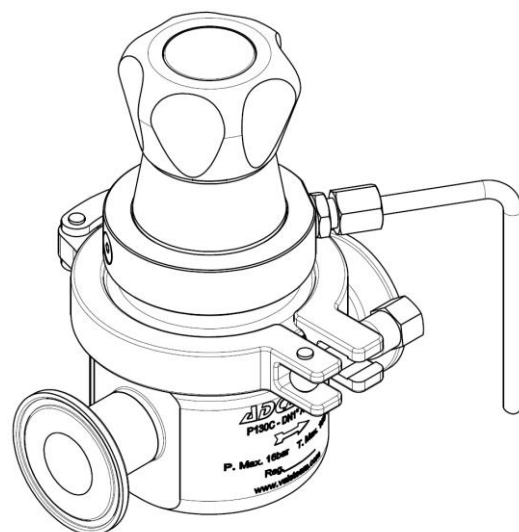
MATERIALS		
POS.	DESIGNATION	MATERIAL
1	Valve body	AISI316L / 1.4406
2	Cover	AISI316L / 1.4404
3	Seat cover	AISI316L / 1.4404
4	* O-ring	Viton / EPDM
5	*Piston	AISI316L / 1.4404
6	* Valve head	AISI316L / 1.4404 ; Viton ,PTFE
7	* Valve spring	AISI302 / 1.4300 ( Polished )
9	Pusher disc	AISI 316L / 1.4404
10	* Lower diaphragm	PTFE
11	* Upper diaphragm	EPDM / VITON
13	Spring plate	AISI304 / 1.4301
14	Nut	St.steel A2-70
15	* Adjustment spring	AISI302 / 1.4300
16	Spring plate	AISI304 / 1.4301
17	Adjustment screw	AISI304 / 1.4301
18	Retaining washer	St.steel A2-70
19	Handwheel	AISI316L / 1.4404
19	Handwheel	Vinyl
20	O-ring	EPDM
21	** O-ring	EPDM
22	Bearing	Corrosion res. Steel
23	Ext.bowed shaft ring	Stainless steel
24	Cover nut	Plastic
25	Captured vent ring	AISI 316L / 1.4404
26	Clamp	AISI 316L / 1.4404

\* Available spare parts. \*\* On request

Remarks: FDA/USP Class VI seals certificate on request  
 All valves have a serial number. In case of non-standard valves this number must be supplied if spare parts are ordered.



Pressure gauge connection. (Optional)



Optional 1/8" captured vent and/or leakage connection. (Compression fitting and tube not included).