

## SANITARY PRESSURE SUSTAINING VALVE PS-130

### DESCRIPTION

The ADCA PS-130 series **direct acting, spring-loaded diaphragm sensing**, pressure sustaining valves are designed for use with clean steam, compressed air, water and other gases or liquids compatible with the construction materials.

### MAIN FEATURES

Compact design.  
Completely machined from barstock material, no castings or forgings are used on the standard version.  
No rising stem.

### STANDARD SURFACE FINISH

Internal wetted parts:  $\leq 0,51$  micron Ra – SF1.  
External :  $\leq 0,76$  micron Ra – SF3.  
Other surface conditions see IS PV20.00-Technical information.  
Ultrasonic cleaning.

**OPTIONS:** Leakage line connection 1/8".  
Different soft valves for liquids and gases.

**USE:** Clean steam, compressed air, water and other gases and liquids compatible with the construction.

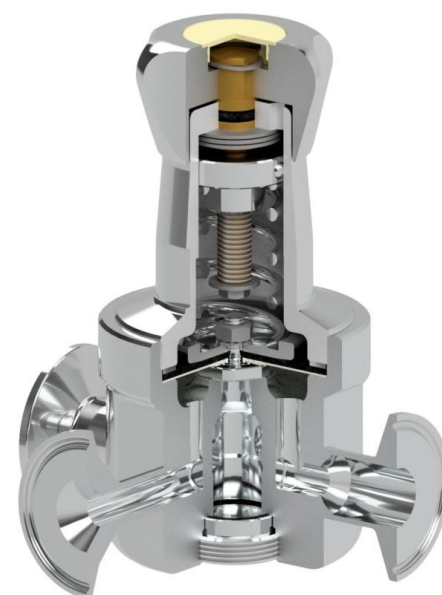
**AVAILABLE MODELS:** PS-130

**SIZES:** 1/2" to 1" ; DN08 to DN25.

**SPRING RANGES:** 0,2 – 1,5 bar; 0,3 – 3 bar; 0,8 – 8 bar.

**CONNECTIONS:** Clamp ends or others on request.  
**PACKAGING:** Assembling and packaging in a clean room certified according to ISO 14644-1.  
The product is end capped and vacuum sealed with recyclable plastic film to avoid contamination.

**INSTALLATION:** Inline horizontal installation.  
**ORDER REQUIREMENTS:** Type of fluid.  
Maximum operating temperature.  
Maximum inlet pressure and required open pressure.  
Capacity (maximum and minimum).



Cut away view with pressure gauge connection

CE MARKING ( PED - European Directive )	
PN 16	Category
1/2" to 1"	SEP

LIMITING CONDITIONS	
Valve model	PS-130
Body design conditions	PN 16
Max.upstream pressure	8 bar
Min.upsteam pressure	0,8 bar
Max.design temperature *	150 °C

\*Other on request.

**DIMENSIONS (mm) ASME BPE**

SIZE	KVs* m <sup>3</sup> /h	A**	B	C	D	d1	d2**	E	F	H	WGT. Kg
1/2"	3	130	30	127	80	50,5	22,1	65	25	9,4	2,9
3/4"	3,2	130	30	127	80	50,5	22,1	67,5	25	15,75	2,9
1"	3,3	130	30	127	80	50,5	22,1	72,5	50,4	22,1	3,4

**DIMENSIONS (mm) DIN**

SIZE DN	KVs* m <sup>3</sup> /h	A**	B	C	D	d1	d2**	E	F	H	WGT. Kg
10	3	120	30	127	80	50,5	22,1	65	34	10	2,9
15	3,2	120	30	127	80	50,5	22,1	67,5	34	16	3
20	3,2	120	30	127	80	50,5	22,1	67,5	34	20	3,1
25	3,5	120	32	125	80	50,5	22,1	72,5	50,5	26	3,4

Clamp ferrules DIN 32676 Series A; Tube weld DIN 11866 Series A (DIN 11850 Series 2)

**DIMENSIONS (mm) ISO**

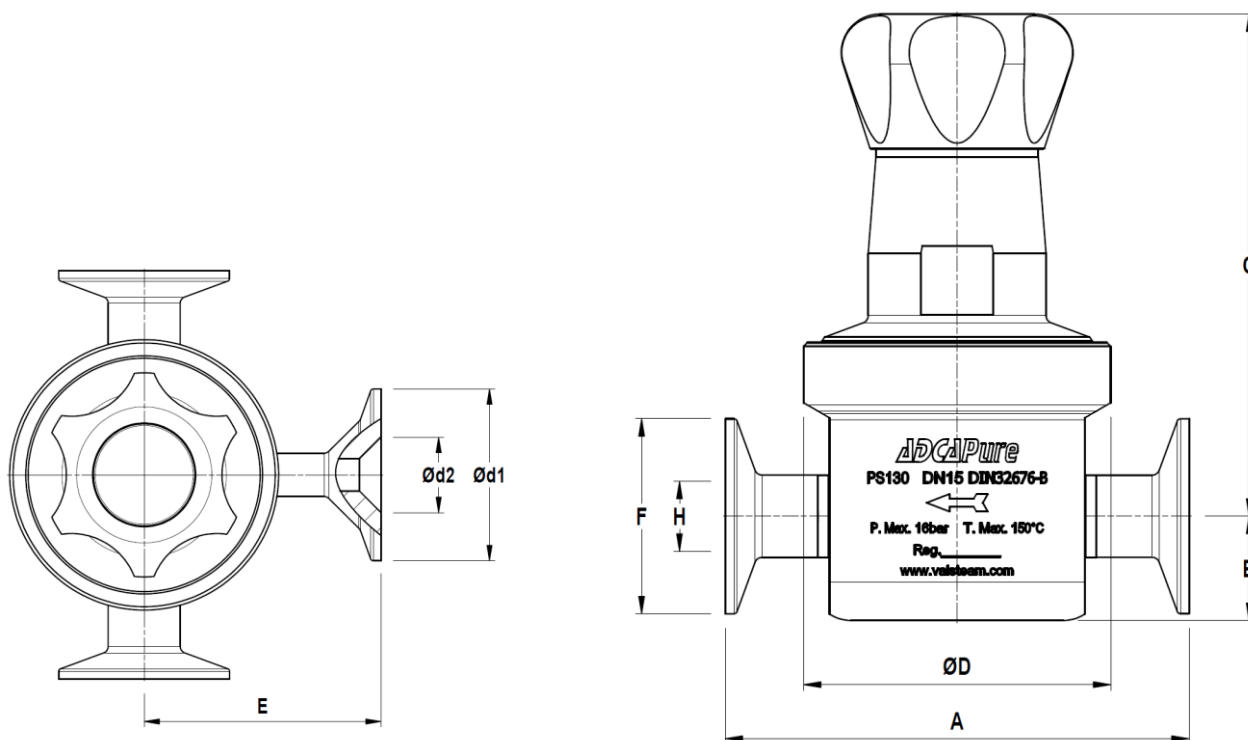
SIZE DN	KVs* m <sup>3</sup> /h	A**	B	C	D	d1	d2**	E	F	H	WGT. Kg
8	3	120	30	127	80	50,5	22,1	65	25	10,3	2,9
10	3,2	120	30	127	80	50,5	22,1	67,5	25	14	3
15	3,3	120	30	127	80	50,5	22,1	67,5	50,5	18,1	3,2
20	3,5	120	32	125	80	50,5	22,1	72,5	50,5	23,7	3,4

Clamp ferrule Clamp ferrules DIN 32676 Series B; Tube weld DIN 11866 Series B (ISO 1127 Series 1)

\* Reduced KVs on request.

\*\* Special versions or non-standard sanitary clamp ferrules are available on request, both for the inlet/outlet and pressure gauge connection.

Valves with vinyl handwheel weight less 0,3 kg.

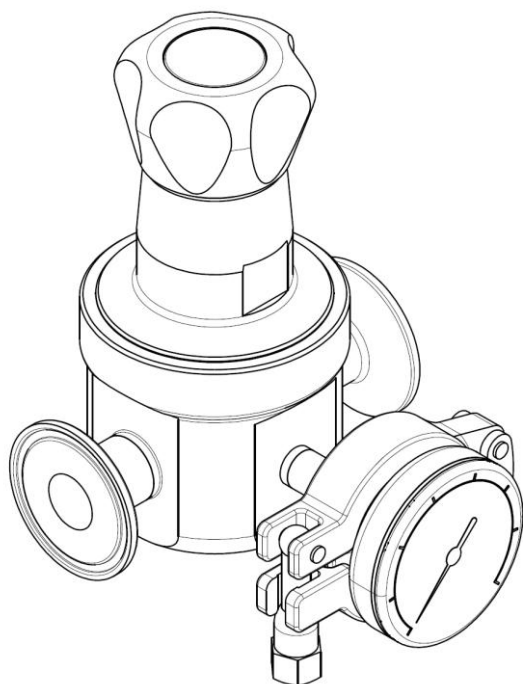
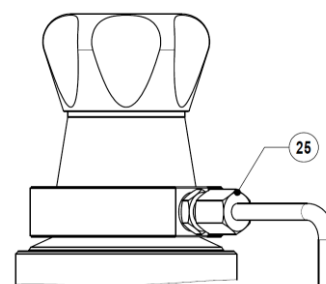
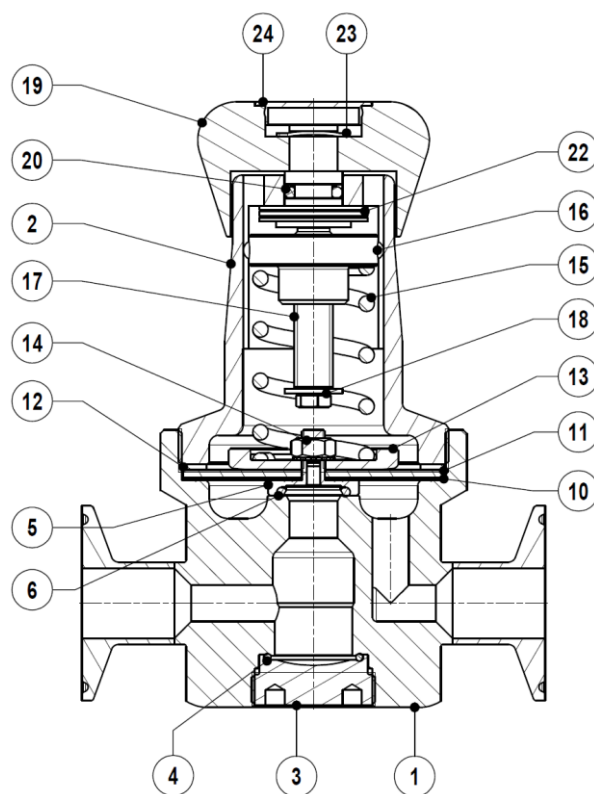

 Pressure gauge connection.  
(Optional)

MATERIALS		
POS.	DESIGNATION	MATERIAL
1	Valve body	AISI316L / 1.4406
2	Cover	AISI316L / 1.4404
3	Seat cover	AISI316L / 1.4404
4	* O-ring	Viton / EPDM
5	*Piston plug	AISI316L / 1.4404
6	* Valve head	AISI316L / 1.4404 ; Viton ,PTFE
10	* Lower diaphragm	PTFE
11	* Upper diaphragm	EPDM / VITON
12	Washer	AISI304 / 1.4301
13	Spring plate	AISI304 / 1.4301
14	Nut	St.steel A2-70
15	* Adjustment spring	AISI302 / 1.4300
16	Spring plate	AISI304 / 1.4301
17	Adjustment screw	AISI304 / 1.4301
18	Retaining washer	St.steel A2-70
19	Handwheel	AISI316L / 1.4404
19	Handwheel	Vinyl
20	O-ring	EPDM
22	Bearing	Corrosion res. Steel
23	Ext. bowed shaft ring	Stainless steel
24	Cover nut	Plastic
25	Leakage connection	AISI316L / 1.4404

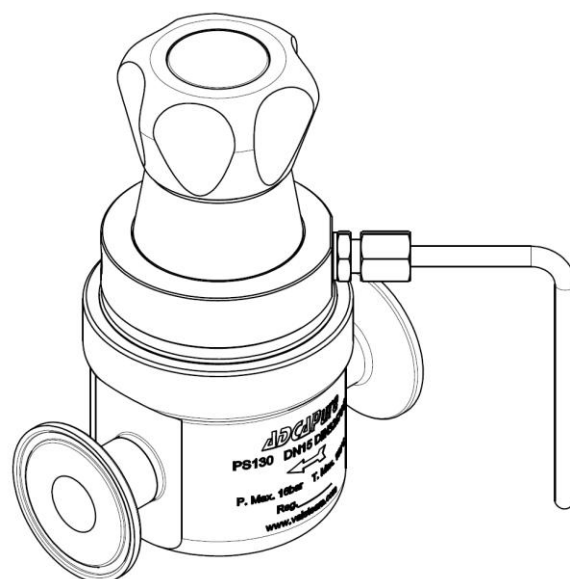
\* Available spare parts.

Remarks: FDA/USP Class VI seals certificate on request

All valves have a serial number. In case of non-standard valves this number must be supplied if spare parts are ordered.



Pressure gauge connection  
(Optional)



Optional 1/8" captured vent and/or leakage connection.  
(Compression fitting and tube not included).