

SANITARY PRESSURE REDUCING VALVE P-160 (DN21/2"-3")

DESCRIPTION

The ADCA P-160 series **direct acting, spring-loaded diaphragm sensing**, pressure reducing valves are designed for use with clean steam, compressed air, water and other gases or liquids compatible with the construction materials.

MAIN FEATURES

Compact design.
Completely machined from barstock material, no castings or forgings are used on the standard version.
No rising stem.

STANDARD SURFACE FINISH

Internal wetted parts: ≤ 0,51 micron Ra – SF1.
External : ≤ 0,76 micron Ra – SF3.
Other surface conditions see IS PV20.00-Technical information.
Ultrasonic cleaning.

OPTIONS:

Leakage line connection 1/8" (captured vent).
Different soft valves for liquids and gases.
Lock system, allows clean-in-place (CIP) and sterilization-in-place (SIP) operations with valve in line.
Lifting lugs to ease installation.

USE:

Clean steam, compressed air, water and other gases and liquids compatible with the construction.

AVAILABLE

MODELS: P-160

SIZES:

21/2" and 3".

OUTLET SPRING

RANGES: 1 – 1,7 bar; 1 – 4 bar.

CONNECTIONS:

ASME BPE.
Clamp ferrules others on request.

PACKAGING:

Assembling and packaging in a clean room certified according to ISO 14644-1.
The product is end capped and vacuum sealed with recyclable plastic film to avoid contamination.

INSTALLATION:

Horizontal installation. Inlet vertical and horizontal outlet angle connection. See IMI.

ORDER

REQUIREMENTS:

Type of fluid.
Maximum operating temperature.
Inlet pressure and required outlet pressure.
Capacity (maximum and minimum).



LIMITING CONDITIONS	
VALVE MODEL	P-160
Body design conditions	PN 16
Max.upstream pressure	8 bar
Max.downstream pressure	4 bar
Min.downstream pressure *	1 bar
Max.design temperature **	150 °C

*For tight shut off, with regulating spring relaxed, ensure a minimum 0,2 bar downstream pressure.

**Other on request.

CE MARKING (PED - European Directive)	
PN 16	Category
21/2" - 3"	1 (CE Marked)

DIMENSIONS (mm) ASME BPE

SIZE	A	B	C	D	WGT. Kg
2 1/2"	144	78	410	245	34,6
3"	144	84	417	245	36,2

* Different lengths on request.

Consult factory for certified dimensions.

Dimensions subject to change without notice.

CAPACITIES

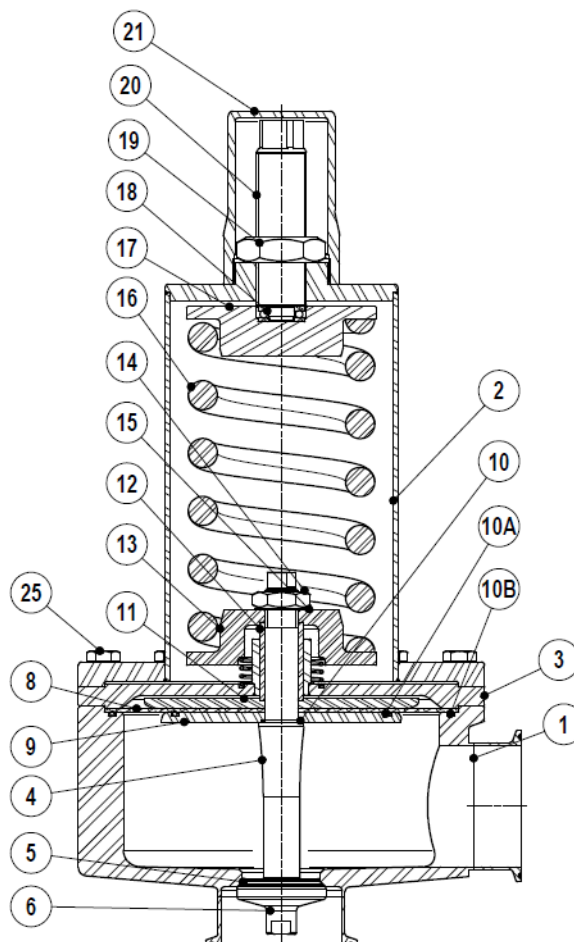
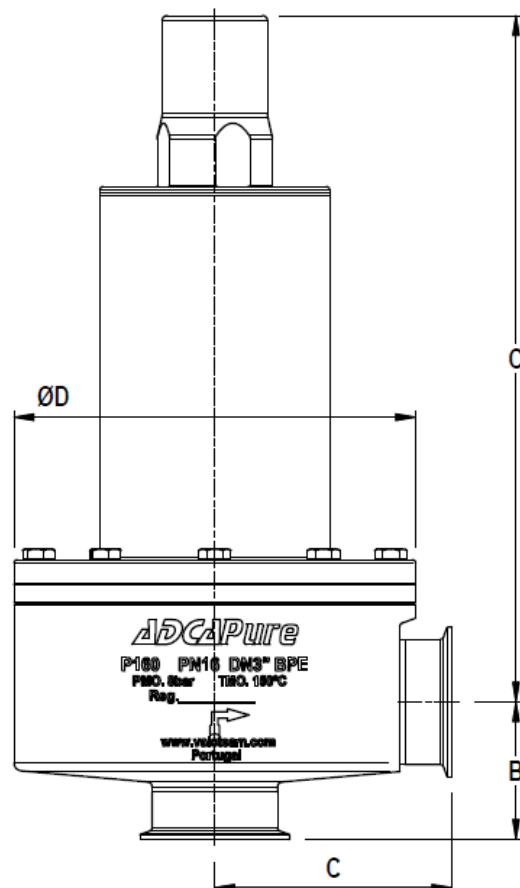
Valve Size	2 1/2"	3"
KVs (m3/h)	19,6	19,6

MATERIALS

POS.	DESIGNATION	MATERIAL
1	Valve body	AISI316L / 1.4404
2	Cover	AISI316L / 1.4404
3	Centering plate	AISI316L / 1.4404
4	* Valve stem	AISI316L/1.4404
5	* Soft plug	EPDM; PTFE **
6	* Valve plug	AISI316L / 1.4404
8	* Diaphragm	PTFE
9	Diaphragm plate	AISI316L / 1.4404
10	* O-ring	EPDM
10A	*O-ring	EPDM
10B	*O-ring	EPDM
11	Diaphragm plate	AISI316L / 1.4404
12	Stem guide	AISI316 / 1.4401
13	Spring plate	AISI316 / 1.4401
14	Nut	St.Steel A2 - 70
15	Washer	AISI316 / 1.4401
16	* Adjustment spring	AISI 302 / 1.4300
17	Top spring plate	AISI316 / 1.4401
18	Bearing	Corrosion Res. Steel
19	Nut	St.Steel A2-70
20	Adjustment screw	AISI304 / 1.4301
21	Top cap	AISI316L / 1.4404
25	Bolts	A2

* Available spare parts; **Others according to the fluid.

FDA/USP Class VI seals certificate on request.



Remarks: All valves have a serial number. In case of non-standard valves this number must be supplied if spare parts are ordered.

We reserve the right to change the design and material of this product without notice.