

SANITARY PRESSURE REDUCING VALVE P-160A (Air loaded)

DESCRIPTION

The ADCA P-160A series **direct acting, air loaded diaphragm sensing**, pressure reducing valves are designed for use with clean steam, compressed air, water and other gases or liquids compatible with the construction materials.

MAIN FEATURES

Compact design.
Completely machined from barstock material, no castings or forgings are used on the standard version.
Set point can be adjusted remotely using a relieving gas pressure regulator or through a I-P convertor.
Ease operation during the sterilization or cleaning process (SIP-CIP), by remotely increasing the set point, ensures that the valve stays totally open during the process.

STANDARD SURFACE FINISH

Internal wetted parts: $\leq 0,51$ micron Ra – SF1.
External : $\leq 0,76$ micron Ra – SF3.
Other surface conditions see IS PV20.00-Technical information.
Ultrasonic cleaning.

OPTIONS: Aluminium cover.

USE: Clean steam, compressed air, water and other gases and liquids compatible with the construction.

AVAILABLE MODELS: P-160A

SIZES: 3/4", 1", 1 1/2", 2" .

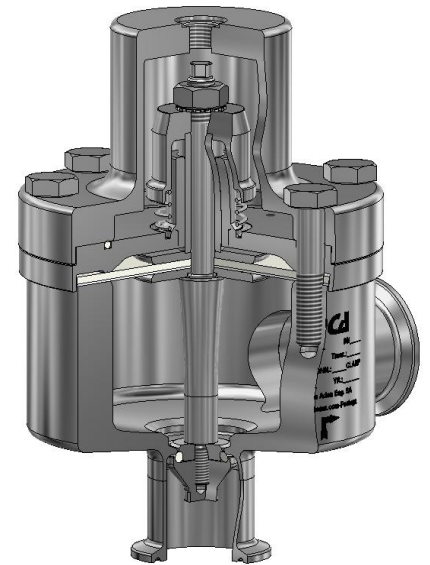
OUTLET RANGES: 0,8 – 6 bar. The loading pressure must be slightly above the outlet pressure (+/- 0,2 bar), to overcome the diaphragm return spring.

CONNECTIONS: ASME BPE
Clamp ferrules or others on request.

PACKAGING: Assembling and packaging in a clean room certified according to ISO 14644-1.
The product is end capped and vacuum sealed with recyclable plastic film to avoid contamination.

INSTALLATION: Horizontal installation. Inlet vertical and horizontal outlet angle connection. See IMI.

ORDER REQUIREMENTS: Type of fluid .
Maximum operating temperature.
Inlet pressure and required outlet pressure.
Capacity (maximum and minimum).



LIMITING CONDITIONS	
Valve model	P-160A
Body design conditions	PN 16
Max.upstream pressure	8 bar
Max.downstream pressure	6 bar
Min.downstream pressure	0,8 bar
Max.design temperature *	150 °C

*Other on request.

CE MARKING (PED - European Directive)	
PN 16	Category
3/4" to 2"	SEP

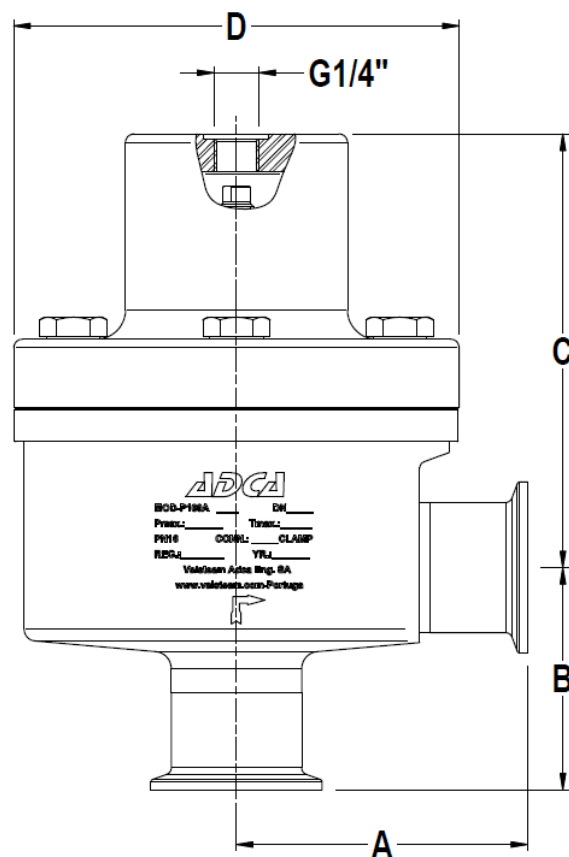
CAPACITIES				
Valve Size	3/4"	1"	1 1/2"	2"
KVs (m3/h)	1,3	3,5	5,3	8,5

DIMENSIONS (mm) ASME BPE					
SIZE	A	B	C	D	WGT. Kg
3/4"	85	56	116	130	5,5
1"	85	55	117	130	5,5
1 1/2"	85	65	124	130	5,8
2"	85	70	130	130	6,4

* Different lenghts on request.

Consult factory for certified dimensions.

Dimensions subject to change without notice.



MATERIALS		
POS.	DESIGNATION	MATERIAL
1	Valve body	AISI316L / 1.4404
2	Cover	AISI316L / 1.4404
3	Centering plate	AISI316L / 1.4404
4	* Valve stem	AISI316L/1.4404
5	* Soft plug	EPDM; PTFE **
6	* Valve plug	AISI316L / 1.4404
7	* Upper diaphragm	EPDM;VITON**
8	* Lower diaphragm	PTFE
9	Diaphragm plate	AISI316L / 1.4404
10	* O-ring	EPDM
11	Diaphragm plate	AISI316L / 1.4404
12	Stem guide	AISI316 / 1.4401
13	Spring plate	AISI316 / 1.4401
14	Nut	St.Steel A2 - 70
15	Washer	AISI316 / 1.4401
16	Spring	AISI 302 / 1.4300
17	O-ring	EPDM
18	Bolts	St.Steel A2 - 70

* Available spare parts; **Others according to the fluid.

FDA/USP Class VI seals certificate on request

Viton diaphragm only with FDA approval (Pos.7).

Remarks: All valves have a serial number. In case of non-standard valves this number must be supplied if spare parts are ordered.

