

SANITARY PRESSURE SUSTAINING VALVE PS-160

DESCRIPTION

The ADCA PS-160 series **direct acting, spring-loaded diaphragm sensing**, pressure sustaining valves are designed for use with clean steam, compressed air, water and other gases or liquids compatible with the construction materials.

MAIN FEATURES

Compact design.
Completely machined from barstock material, no castings or forgings are used on the standard version.
No rising stem.

STANDARD SURFACE FINISH

Internal wetted parts: $\leq 0,51$ micron Ra – SF1.
External : $\leq 0,76$ micron Ra – SF3.
Other surface conditions see IS PV20.00-Technical information.
Ultrasonic cleaning.



OPTIONS: Leakage line connection 1/8" .
Different soft valves for liquids and gases.

USE: Clean steam, compressed air, water and other gases and liquids compatible with the construction.

AVAILABLE MODELS: PS-160

SIZES: 3/4", 1", 1 1/2", 2".

SPRING RANGES: 0,8 – 1,5 bar; 1 – 3 bar; 1,5 – 8 bar.

CONNECTIONS: ASME BPE.
Clamp ferrules or others on request.

PACKAGING: Assembling and packaging in a clean room certified according to ISO 14644-1.
The product is end capped and vacuum sealed with recyclable plastic film to avoid contamination.

INSTALLATION: Horizontal installation. Inlet horizontal and vertical outlet angle connection. See IMI.

ORDER REQUIREMENTS: Type of fluid .
Maximum operating temperature.
Maximum inlet pressure and required open pressure.
Capacity (maximum and minimum).

LIMITING CONDITIONS	
Valve model	PS-160
Body design conditions	PN 16
Max.upstream pressure	8 bar
Min.upstream pressure	0,8 bar
Max.design temperature *	150 °C

*Other on request.

CE MARKING (PED - European Directive)	
PN 16	Category
3/4" to 2"	SEP

CAPACITIES

Valve Size	3/4"	1"	1 1/2"	2"
KVs (m3/h)	1,3	3,5	5,3	8,5

* Limited to a maximum 4 bar inlet pressure.

DIMENSIONS (mm) ASME BPE

SIZE	A	B	C	D	WGT. Kg
3/4"	85	56	192	130	6,7
1"	85	55	192	130	6,8
1 1/2"	85	65	199	130	7,6
2"	85	69	205	130	7,8

* Different lenghts on request.

Consult factory for certified dimensions.

Dimensions subject to change without notice.

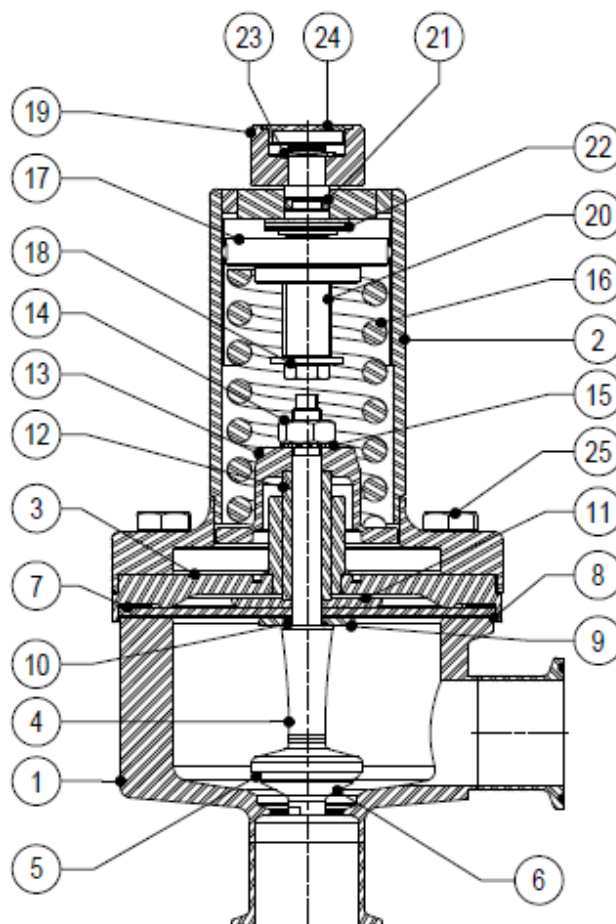
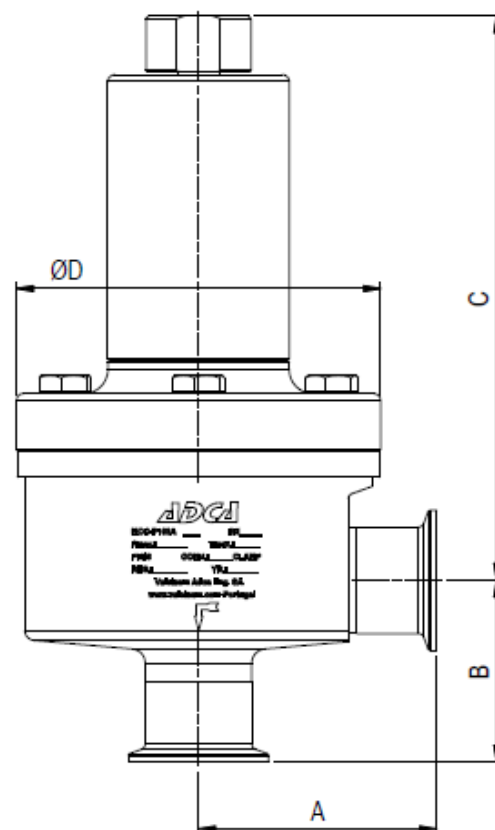
MATERIALS

POS.	DESIGNATION	MATERIAL
1	Valve body	AISI316L / 1.4404
2	Cover	AISI316L / 1.4404
3	Centering plate	AISI316L / 1.4404
4	* Valve stem	AISI316L/1.4404
5	* Soft plug	EPDM; PTFE **
6	* Valve plug	AISI316L / 1.4404
7	* Upper diaphragm	EPDM;VITON**
8	* Lower diaphragm	PTFE
9	Diaphragm plate	AISI316L / 1.4404
10	* O-ring	EPDM
11	Diaphragm plate	AISI316L / 1.4404
12	Stem guide	AISI316 / 1.4401
13	Spring plate	AISI316 / 1.4401
14	Nut	St.Steel A2 - 70
15	Washer	AISI316 / 1.4401
16	* Adjustment spring	AISI 302 / 1.4300
17	Top spring plate	AISI316 / 1.4401
18	Retaining washer	St.Steel A2 - 70
19	Regulating nut	AISI316L / 1.4404
20	Adjustment screw	AISI304 / 1.4301
21	O-ring	EPDM
22	Bearing	Corrosion res. steel
23	Ext.bowed shaft ring	Stainless steel
24	Cover nut	Plastic
25	Bolts	A2

* Available spare parts; **Others according to the fluid.

FDA/USP Class VI seals certificate on request.

Viton diaphragm only with FDA approval (Pos.7).



Remarks: All valves have a serial number. In case of non-standard valves this number must be supplied if spare parts are ordered.

We reserve the right to change the design and material of this product without notice.