

HUMIDITY SEPARATORS

Clean Steam Centrifugal Separator S-10HV (Horizontal inlet – Vertical outlet)

DESCRIPTION

When wet steam is used in sterilization, moisture in suspension reduces the heat transfer efficiency and the validity of the sterilization process can be compromised.

S-10HV series centrifugal separators remove moisture from steam pipelines. Steam passes through the separator and as a result of centrifugal forces, impact and swirling effects, separate the particles with a heavier specific gravity, such as water droplets and moisture in suspension.

The condensate collected at the bottom of the separator, must be automatically drained by a suitable steam trap.

MAIN FEATURES

316L stainless steel construction.

No moving parts.

Self draining design.

STANDARD SURFACE FINISH

Internal wetted parts: $\leq 0,51$ micron Ra – SF1.

External: Satin bead blast finish – 1,6 micron Ra.

Other surface conditions see IS PV20.00-Technical information.



OPTIONS: Different kinds of connections and dimensions.

USE: Steam, compressed air and other gases (Group 2).

AVAILABLE MODELS: S10HV

SIZES: 1/2", 3/4", 1", 1 1/2" and 2"

PIPE CONNECTIONS: Clamped ends ASME BPE.
Other sanitary clamp or tube weld connections available on request.

PACKAGING: Assembling and packaging in a clean room certified according to ISO 14644-1.
The product is end capped and vacuum sealed with recyclable plastic film to avoid contamination.

INSTALLATION: Always with the condensate discharge pointing downwards. See IMI, installation and maintenance instructions.

HOW TO SELECT: Generally, in an existing plant it is advisable to fit a separator with the same size of the pipe line. Pressure drop is normally negligible. For approximate pressure drop calculation please consult.

LIMITING CONDITIONS		
Rating	Press. bar	Temp. °C
PN10	10	50
	8 *	175
	7,4	200

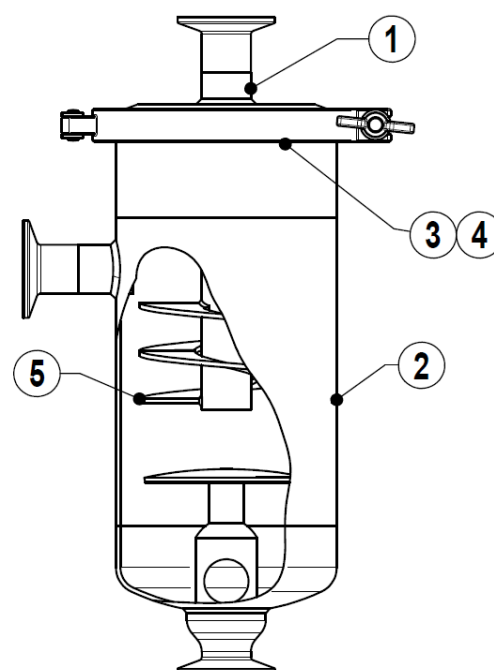
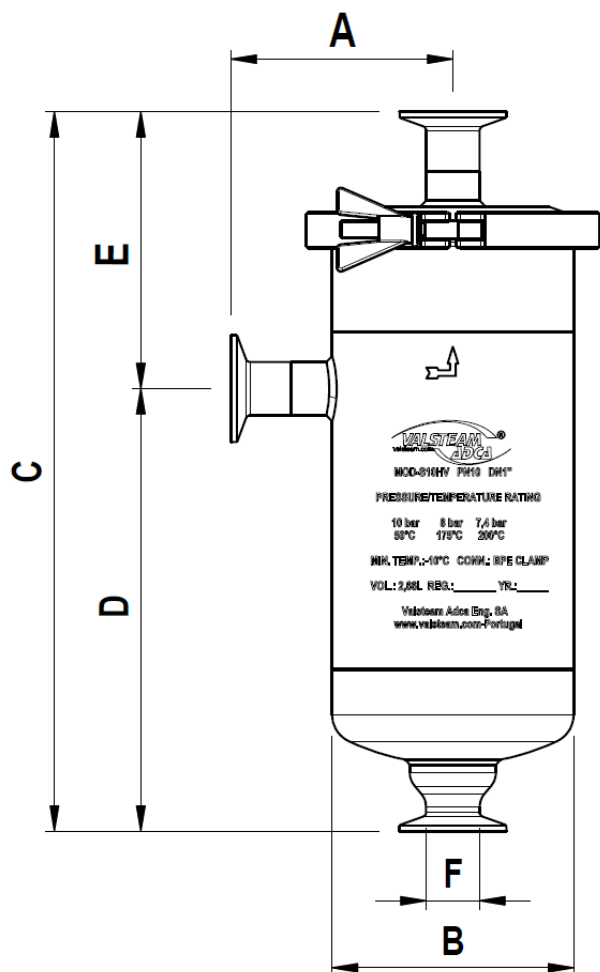
*PMO-Max. operating pressure for saturated steam.
Minimum operating temp.: -10°C.
Design code: AD-Merkblatt

CE MARKING (PED - European Directive)	
PN10	Category
1/2" to 2"	SEP

APPROXIMATE DIMENSIONS (mm)

SIZE	A	B	C	D	E	F	VOL. dm3	WGT Kg
1/2"	105	114	325	195	130	1"	2,84	3,8
3/4"	105	114	325	195	130	1"	2,87	3,9
1"	105	114	340	210	130	1"	2,9	4,2
1 1/2"	120	140	420	260	160	1"	5,82	7,25
2"	120	140	420	260	160	1"	5,93	7,28

Consult factory for certified dimensions. Dimensions subject to change without notice.


MATERIALS

POS.	DESIGNATION	MATERIAL
1	Body	AISI 316L / 1.4404
2	Cover	AISI 316L / 1.4404
3	*Clamp	AISI 316L / 1.4404
4	*Seal	VITON
5	Internals	AISI 316L / 1.4404

* Available spare parts.

EN10204 3.1 certificate available if requested along with the order.

Remarks: FDA/USP Class VI seals certificate on request.

All separators have a serial number. In case of non-standard separator, this number must be supplied if spare parts are ordered.