

## HUMIDITY SEPARATORS Clean Steam Separator S-10H ( Horizontal connections – Baffle design )

### DESCRIPTION

When wet steam is used in sterilization, moisture in suspension reduces the heat transfer efficiency and the validity of the sterilization process can be compromised.

S-10H series baffle separators remove moisture from steam pipelines. Steam passes through the separator and as a result expansion, impact and swirling effects, separate the particles with a heavier specific gravity, such as water droplets and moisture in suspension.

The condensate collected at the bottom of the separator, must be automatically drained by a suitable steam trap.

### MAIN FEATURES

316L stainless steel construction.

No moving parts.

Self draining design.

### STANDARD SURFACE FINISH

Internal wetted parts:  $\leq 0,51$  micron Ra – SF1.

External : Satin bead blast finish – 1,6 micron Ra.

Other surface conditions see IS PV20.00-Technical information.

**OPTIONS:** Different kinds of connections and dimensions.

**USE:** Steam, compressed air and other gases (Group 2).

**AVAILABLE MODELS:** S10H

**SIZES:** 1/2" to 3".

**PIPE CONNECTIONS:** Clamped ends ASME BPE.  
Other sanitary clamp or tube weld connections available on request.

**PACKAGING:** Assembling and packaging in a clean room certified according to ISO 14644-1.

The product is end capped and vacuum sealed with recyclable plastic film to avoid contamination.

**INSTALLATION:** Always with the condensate discharge pointing downwards. See IMI, installation and maintenance instructions.

**HOW TO SELECT:** Generally, in an existing plant it is advisable to fit a separator with the same size of the pipe line. Pressure drop is normally negligible. For approximate pressure drop calculation please consult.



CE MARKING (PED - European Directive)	
PN 10	Category
1/2" to 2"	SEP
2 1/2" - 3"	1

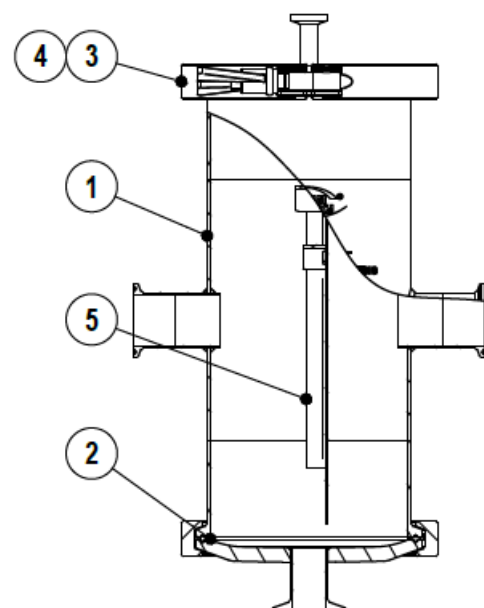
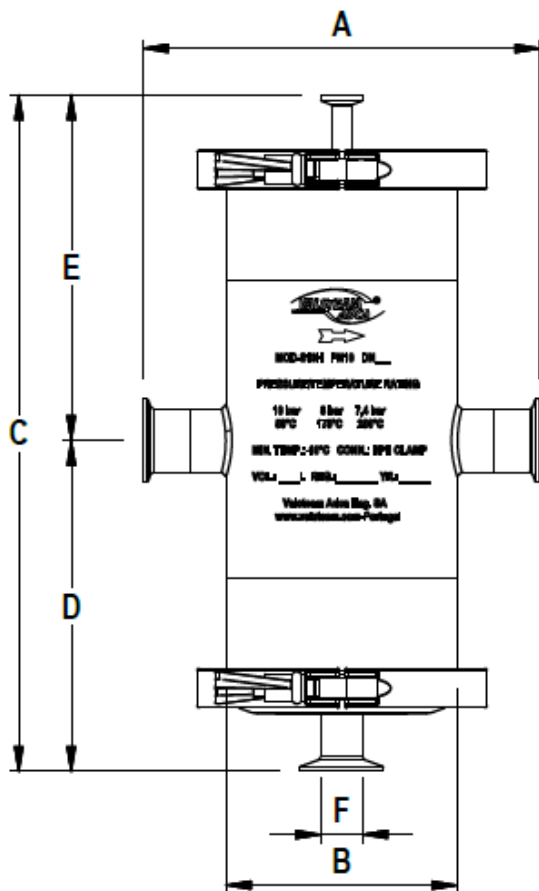
LIMITING CONDITIONS		
Rating	Press. bar	Temp. °C
PN10	10	50
	8 *	175
	7,4	200

\*PMO-Max.operating pressure for saturated steam.  
Minimum operating temp.: -10°C.  
Design code: AD-Merkblatt

**APPROXIMATE DIMENSIONS (mm)**

SIZE	A	B	C	D	E	F	VOL. dm <sup>3</sup>	WGT Kg
1/2"	210	114	340	165	175	1"	2,4	5
3/4"	210	114	340	165	175	1"	2,4	5
1"	210	114	340	165	175	1"	2,4	5,1
1 1/2"	240	140	410	200	210	1"	4,7	9,6
2"	240	140	410	200	210	1"	4,7	9,6
2 1/2"	270	168	478	235	243	1"	8,4	13,7
3"	270	168	478	235	243	1"	8,6	13,8

Consult factory for certified dimensions. Dimensions subject to change without notice.


**MATERIALS**

POS.	DESIGNATION	MATERIAL
1	Body	AISI 316L / 1.4404
2	Cover	AISI 316L / 1.4404
3	*Clamp	AISI 316L / 1.4404
4	*Seal	VITON
5	Internals	AISI 316L / 1.4404

\* Available spare parts.

EN10204 3.1 certificate available if requested along with the order.

Remarks: FDA/USP Class VI seals certificate on request.

All separators have a serial number. In case of non-standard separator, this number must be supplied if spare parts are ordered.