



STEAM EQUIPMENT



## ADCATHERM STEAM TO WATER HEATING SYSTEMS

### GENERAL

The *AdcaTherm* series offers several solutions for water heating in a safe and efficient way, from compact instant production systems to semi-instantaneous or even storage systems.

Either for room heating, consumption water or process water, Valsteam ADCA will always have a solution to offer you.

### DESCRIPTION

#### PWHU – Packaged Water Heating Unit

Complete system conceived for instant production of heated water using steam as primary fluid. Ready to work, just needs the connections to the respective fluids.

This system is ideal whenever there is enough available energy for instant heating.

#### Main features:

Rust free, hot water available (using austenitic stainless steel design)

Ready and easy to install, saving design time, floor space and assembling time.

Installation and commissioning time reduction.

#### WAVE – Water Heating Vessel

Namely for production of consumable hot water, domestic or industrial. The necessary amount of steam for instantaneous production might not be available at all times. In these cases, it's necessary to foresee a buffer tank (semi-instantaneous system) or even a storage tank (storage system).

#### Main features:

Ready and easy to install, saving design and assembling time.

Installation and commissioning time reduction.

Extra water for peak periods, reducing need for extra boiler power. The system can be designed for the amount of energy available, not compromising the remaining process.

**OPTIONS:** Different kinds of materials and designs available according to the application, see ADPWHU.07.5871

**USE:** Steam, water, hot condensate and other fluids compatible with the construction.

**AVAILABLE MODELS:** PWHU, WAVE-P (packaged) AND WAVE-S (split system)

### ORDER

**REQUIREMENTS:** Kind of application  
Flow rates or detailed utilization (number of baths in a set period of time, for instance)  
Inlet and outlet temperatures  
Type of fluids and corresponding pressures  
Power (output) or information that can allow its determination  
Room available for installation and other limitative elements, if existing.



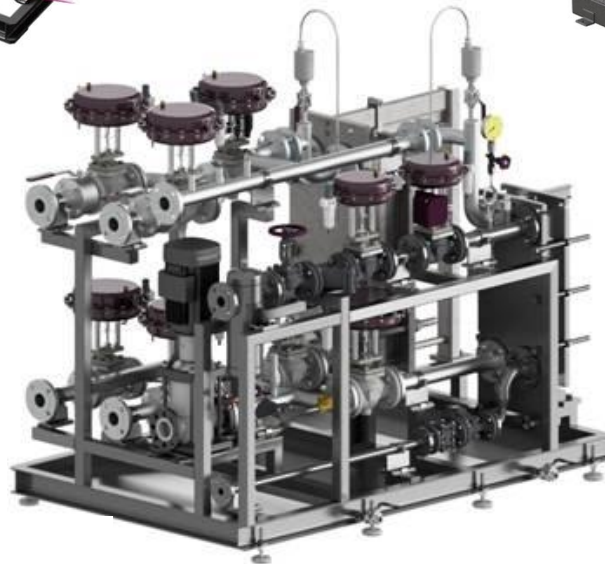
Some of an extensive range of *AdcaTherm* skids already manufactured



ADPWHU.10.6359



ADPWHU.12.6371



ADPWHU.01.2439

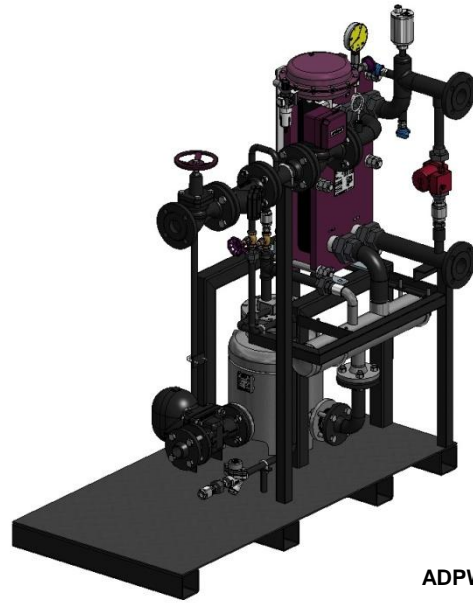


ADPWHU.11.6370

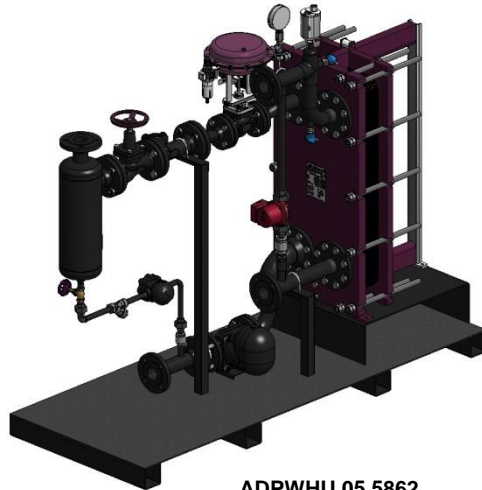




ADPWHU.03.5857



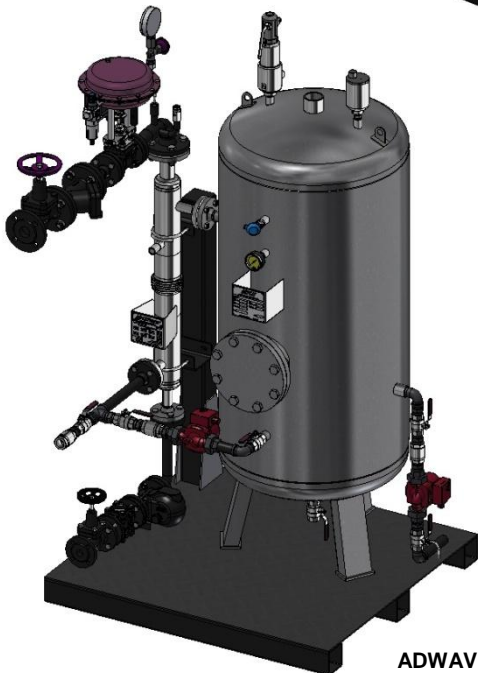
ADPWU.06.5870



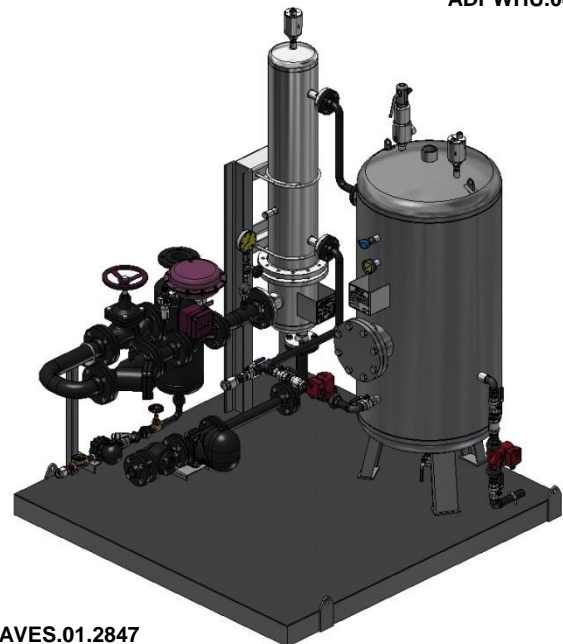
ADPWHU.05.5862



ADPWHU.04.5858



ADWAVEP.02.2848



ADWAVES.01.2847

