

BLOWDOWN EXPANSION VESSEL BV

DESCRIPTION AND OPERATION

The Adca blowdown vessels are used in the modern boiler houses to cool hot waste water and steam boiler blowdown before to discharge into a pit or drain. The waste water is discharged into the unit which is at atmospheric pressure

If flash steam can not be recovered or discharged to atmosphere an additional condensing water spray system (optional) can be supplied. This one is fitted in the top of the unit and can be controlled directly by a thermostat.

MAIN FEATURES

Prevents thermal pollution
Overflow with siphon breaker
Easy to install



OPTIONS:

Water injection cooling system
Stainless steel construction.
Complete system including all the necessary equipments (stop and check valves, thermostats, exhaust head, etc)
Manifold with several inlets for multi-boiler installations.
Manhole or handhole for inspection.

USE:

Boiler blowdown and hot waste water.

AVAILABLE

MODELS:

BV3, 4, 5, 6 and 7.

CONNECTIONS:

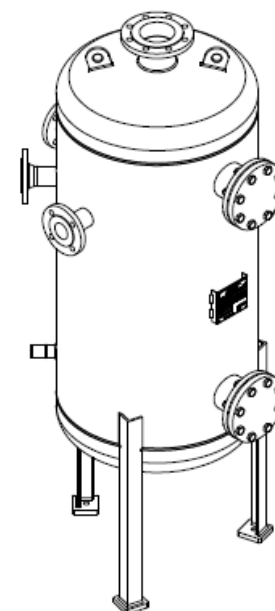
Flanged EN 1092-1 PN16 or ANSI.
Different connections on request.

CONSTRUCTION:

Carbon steel or stainless steel under request.

INSTALLATION:

Vertical installation.
Final dimensions and connections according to the supplied drawing.
The inlet of blowdown tank is always higher than the boiler discharge valves. Therefore, the connecting pipe should have provisions made at a low point to drain the boiler.



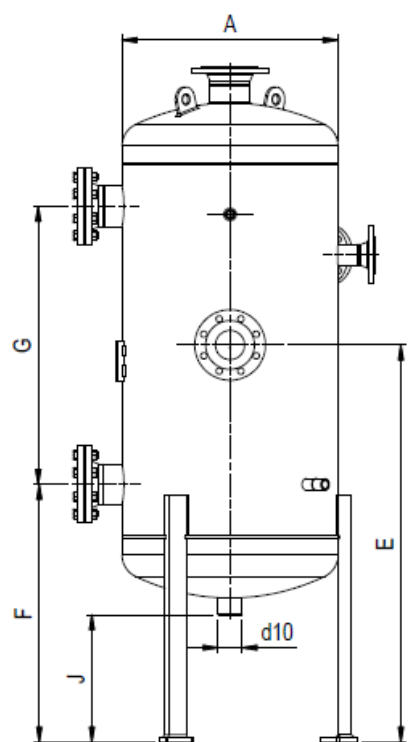
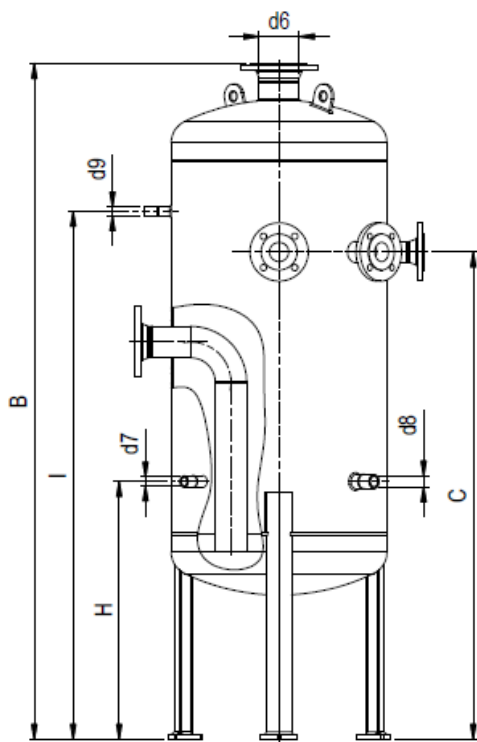
CE MARKING - GROUP 2 GASES CATEGORIES		
PRESSURE	MODEL	CATEGORY
7 bar	BV3	3
	BV4 to BV7	4



DIMENSIONS

Model	A	B	C	E	F	G	H	I	J	STW lts *	WEIGHT Kgs **
BV3	508	1845	1345	1080	701	795	700	1430	357	114	176
BV4	610	1914	1380	1125	730	788	730	1495	361	175	210
BV5	762	1995	1415	1165	761	810	760	1540	357	284	322
BV6	914	2115	1470	1220	785	841	785	1565	304	473	447
BV7	1220	2254	1544	1294	819	885	839	1664	319	856	865

*Standing water ; ** Weight to be confirmed .


SIZE CONNECTIONS

Model	d1	d2	d3	d4	d5	d6	d7	d8	d9	d10
BV3	50	50	50	80	100	100	3/4"	1"	1/2"	2"
BV4	50	50	50	80	100	100	3/4"	1"	1/2"	2"
BV5	50	50	50	100	100	150	3/4"	1"	1/2"	2"
BV6	50	50	50	100	100	150	3/4"	1"	1/2"	2"
BV7	50	50	50	150	150	200	3/4"	1"	1/2"	2"

LIMITING CONDITIONS

PS - Maximum Allow able Pressure	7 bar
TS - Maximum Allow able Temperature	180 °C

Minimum operating temp.: 20°C. Design code: AD-Merkblatt
Other conditions on request.

CONNECTIONS

POS.	DESIGNATION	Rating
d1	Blow down inlet	PN16
d2	Blow down inlet	PN16
d3	Blow down inlet	PN16
d4	Blow down outlet	PN16
d5	Hand hole	PN16
d6	Venting outlet	PN16
d7	Cooling water inlet	PN16
d8	Thermostat connection	PN16
d9	Pressure gauge connection	PN16
d10	Drain	PN16

