

ADCATHERM BOILER FEED TANKS BFT

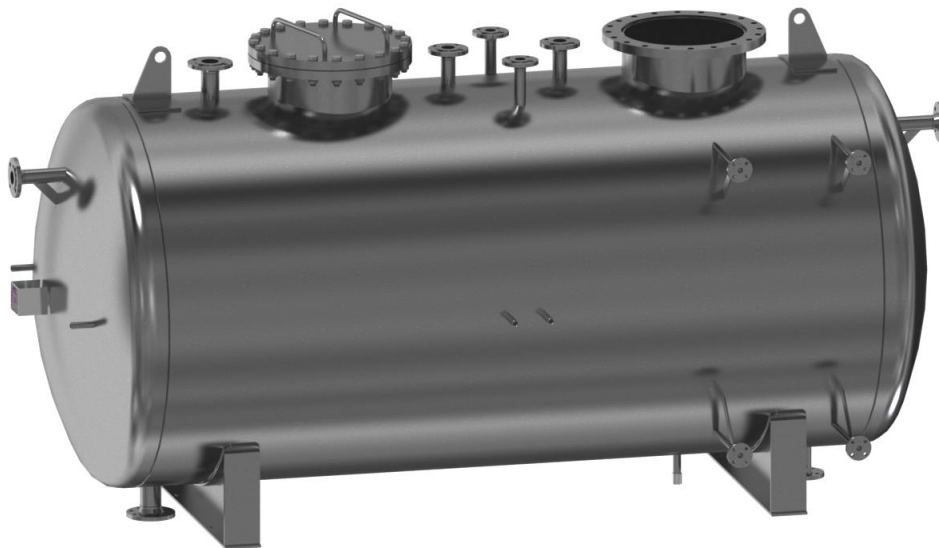
DESCRIPTION

The BFT boiler feed tank is one of the most important devices in a boiler room. Its main function is to store the make-up water and condensate, assuring a reserve of treated water to supply the steam boilers.

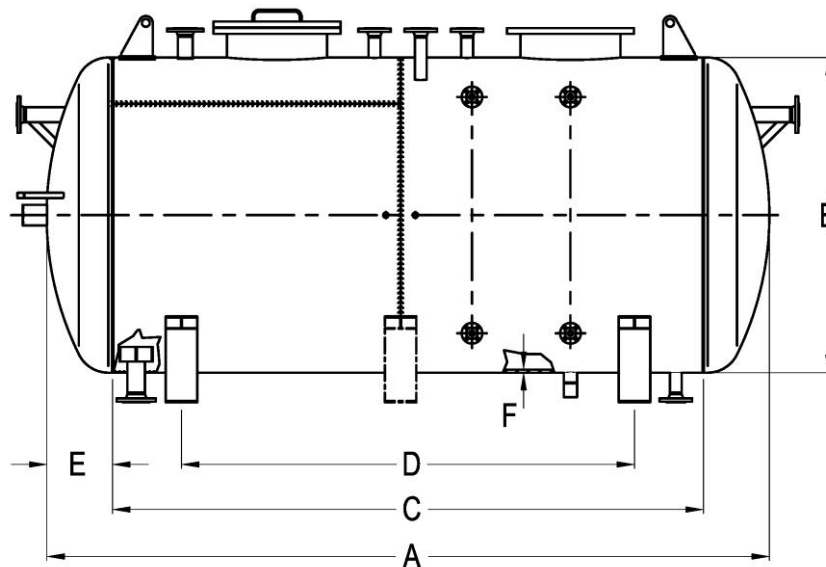
The make-up water has to be softened to prevent scale formation on the boiler and the oxygen must also be removed so that corrosion in the boiler and steam system is avoided (this situation is normally handled by specialists).

The consumption of chemicals used to eliminate the oxygen can be drastically reduced if used one of the several ADCATherm thermal degasification processes (ADG, TDG, FCD) for the removal of oxygen and other non-condensable gases (mainly carbon dioxide).

Even if you choose not to use one of the mentioned systems, the ADCATherm boiler feed tanks will always be optimized according to the existing needs, therefore being able to include water pre-heating as well as other features obvious to a true steam expert , but not to a simple tank manufacturer.



MAIN FEATURES:	<p>Sandblasted and metalized internally and externally (externally painted). Prevents energy wasting Can be installed on new or existing systems</p>
OPTIONS:	<p>Vertical and special designs for different applications. Complete stainless steel construction. Complete system including all the necessary equipments. Vent condenser for energy recover</p>
USE: AVAILABLE MODELS:	<p>Steam boiler feed water</p> <p>BFT – Standard horizontal design BFT/ADG or TDG – Vessel and correspondent deaerator dome BFTV – Special vertical design</p>
CONNECTIONS:	<p>Flanges EN1092-1 PN16 or ANSI. Sockets BSP or NPT Different connections on request.</p>
CONSTRUCTION:	<p>Carbon steel with internal stainless steel components or complete stainless steel under request.</p>
INSTALLATION:	<p>See ADG/TDG catalogues for typical installations. Horizontal standard or vertical (on request). Final dimensions and connections according to the drawing supplied after order confirmation. Insulation (not included) recommended after installation.</p>


MAIN DIMENSIONS

MODEL	CAPACITY * Liters	A mm	B mm	C mm	D mm	E mm	F mm	WEIGHT * kgs
BFT-500	537	1800	640	1500	900	150	4	180
BFT-750	856	1860	800	1500	900	180	5	290
BFT-1000	1107	2360	800	2000	1200	180	5	350
BFT-1250	1336	1920	960	1500	900	210	5	360
BFT-1500	1698	2420	960	2000	1200	210	5	410
BFT-2000	2248	2480	1080	2000	1200	240	6	570
BFT-2500	2706	2980	1080	2500	1500	240	6	665
BFT-3000	3068	2560	1280	2000	1200	280	7	795
BFT-3500	3711	3060	1280	2500	1500	280	7	920
BFT-4000	4176	2660	1500	2000	1200	330	8	1160
BFT-5000	5060	3160	1500	2500	1500	330	8	1335
BFT-6000	5943	3660	1500	3000	1800	330	8	1510

* Approximate

Pipe connections and location approved after order confirmation.

Consult factory for certified dimensions. Dimensions subject to change without notice.

MATERIALS

DESIGNATION	MATERIAL
Cylindrical shell	EN10025 / S235JR / 1.0038
Domed ends	EN10025 / S235JR / 1.0038
Inlet / Outlet pipes	EN10216-2 / P235GH / 1.0325
EN flanges	EN10222-2 / P250GH / 1.0460
ANSI flanges	ASTM A105 / 1.0432
Sockets	ASTM A105 / 1.0432
Internals	EN10028-7 / AISI316 / 1.4401
Supports	EN10025 / S235JR / 1.0038
Bolts	Steel 8.8

EN10204 3.1 certificate available if requested with the order.

THERMAL DEAERATOR DATA INQUIRY

Make-up water pressure	bar
Make-up water temperature	°C
Make-up water flow rate	Kgs/h
Condensate return pressure	bar
Condensate temperature	°C
Condensate flow rate	Kgs/h
Saturated heating steam pressure	bar
Feed water tank required capacity	m ³
Max. deaerated water flow required	Kgs/h

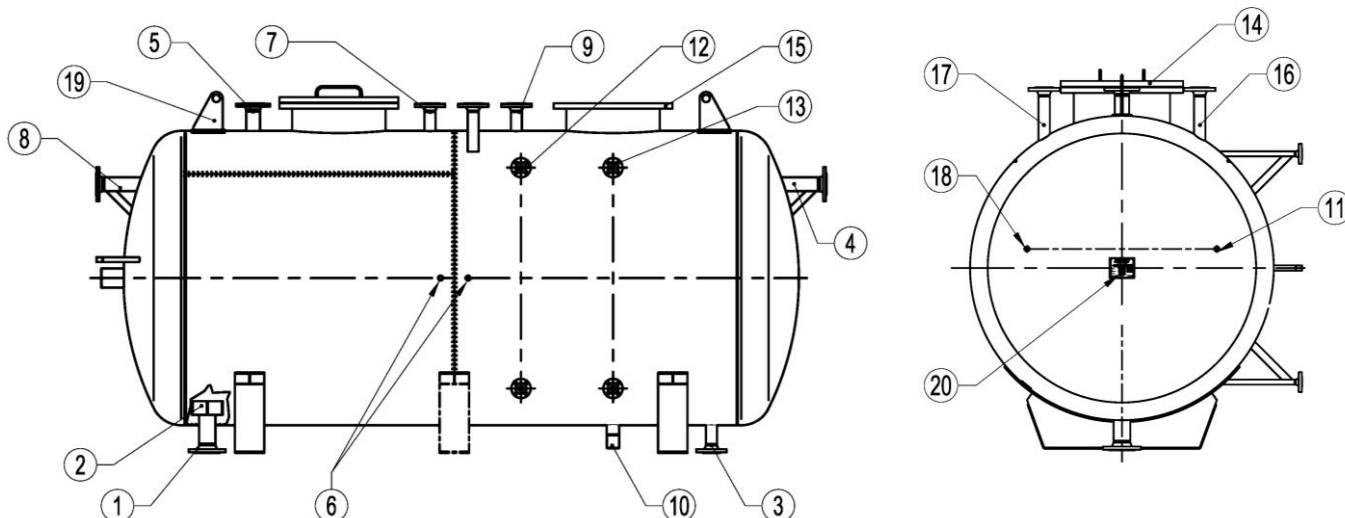
LIMITING CONDITIONS

PS - Maximum Allowable Pressure	0,5 bar
TS - Maximum Allowable Temperature	120 °C

Minimum operating temp.: -10°C. Design code: AD-Merkblatt

Other conditions and CE marking on request.

Remarks: calculations have been made for 6bar at 120°C



CONNECTIONS *		
POS.	DESIGNATION	REMARKS
1	Boiler feed pump supply	Larger diameter to optimise pressure loss (preventing cavitation)
2	Anti vortex	
3	Drain	To be connected to BEX (always at a lower level than the feed tank)
4	Overflow	Float trap or "U" bend (only for atmospheric)
5	Heating steam	Can be located in the domed ends
6	Chemical dosing	Can be located in the domed ends
7	Condensate return	Only if not connected to a deaerator dome
8	Soft water inlet	Only if not connected to a deaerator dome
9	Vent outlet	Only if not connected to a deaerator dome
10	Recirculating pump	Recommended for atmospheric design only
11	Temperature indicator	Can be located in the domed ends
12	Level indicator	Can be located in the domed ends
13	Level controller	Can be located in the domed ends
14	Headhole	DN 300 PN6 Up to 1000 lts
14	Manhole	DN 500 PN6 1250 lts and above
15	Dome flange	For ADG or TDG
16	Vacuum valve	Only for pressurized system
17	Safety valve	Only for pressurized system
18	Temperature control	Suitable for electrical or self operated valve control
19	Lifting eyes	
20	Name plate	

* Sizes to be designed according to the real flow conditions