

HUMIDITY SEPARATORS S25/S HV and VH PN16 – PN40

DESCRIPTION

S-25 HV and VH series centrifugal separators remove moisture from steam and compressed air pipelines. Steam and compressed air passing through the separator and as a result of centrifugal forces, impact and swirling effects, separate the particles with a heavier specific gravity, such as water and oil droplets, moisture in suspension, dirt and scale.

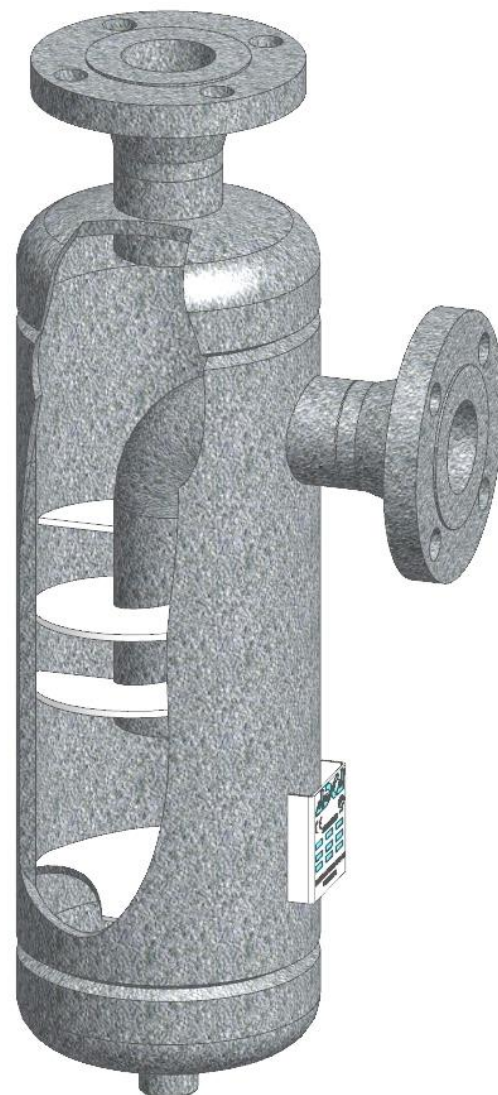
The condensate collected at the bottom of the separator, must be automatically drained by a suitable steam or compressed air trap.

Connections are flanged.

MAIN FEATURES

Several possibilities of installation.

No moving parts.


OPTIONS:

Zinc plated fabricated carbon steel construction (compressed air).
Condensate flanged connection.

USE:

Steam, compressed air and other gases (Group 2).

AVAILABLE MODELS:

S25/S HV or VH - carbon steel body.
S25/SZ HV or VH - zinc plated body.

SIZES:

DN15 to DN200.

PIPE CONNECTIONS:

Flanged EN1092-1 PN16 and PN40.
ANSI Class 150 lbs and Class 300 lbs.
Female screwed BSP or NPT on request.

INSTALLATION:

Always with the condensate discharge pointing downwards.
See IMI, installation and maintenance instructions.

HOW TO SELECT:

Generally, in an existing plant it is advisable to fit a separator of the same size of the pipe line. Pressure drop is normally negligible. For approximate pressure drop calculation please consult.



CE MARKING - PED (European Directive)					
RATING	SIZE	CAT.	RATING	SIZE	CAT.
PN16	DN15 to DN25	SEP	PN40	DN15 to DN32	1
	DN32 to DN50	1		DN40 to DN80	2
	DN65 to DN125	2		DN100 to DN150	3
	DN150 to DN200	3		DN200	4

LIMITING CONDITIONS **								
Rating	Press. bar	Temp. °C	Rating	Press. bar	Temp. °C	Rating	Press. bar	Temp. °C
PN16	16	50	ANSI Cl.150 lbs	16	50	PN40 ANSI CL.300lbs	40	50
	14	100		14	100		37	100
	13 *	195		13 *	195		31 *	239
	12	250		-	-		27	300

*PMO-Max.operating pressure for saturated steam.

Minimum operating temp.: -10°C. Design code: AD-Merkblatt

** Rating according to EN1092:2007.

MATERIALS	
DESIGNATION	MATERIAL
Body	EN10216-2 / P235GH / 1.0325
Heads	EN10028-2 / P265GH / 1.0425
Inlet / Outlet pipes	EN10216-2 / P235GH / 1.0325
EN flanges	EN10222-2 / P250GH / 1.0460
ANSI flanges	ASTM A105 / 1.0432
Sockets	ASTM A105 / 1.0432
Internals	EN10025-2 / S235JR / 1.0038

EN10204 3.1 certificate available if requested with the order.

FLANGE CONNECTIONS			
Rating	SIZE	EN STD.	ANSI STD.
PN16	* DN15 to DN50	EN1092-1 PN40	ANSI B16.5 Cl.150 lbs
PN16	DN65 to DN300	EN1092-1 PN16	ANSI B16.5 Cl.150 lbs
PN40	DN15 to DN300	EN1092-1 PN40	ANSI B16.5 Cl.300 lbs

* Flanges EN1092-1 PN16 and PN40 from DN15 to DN50 has the same number and size of holes.

APPROXIMATE DIMENSIONS (mm)
FLANGED EN 1092-1 - ANSI

SIZE DN	J PN16	J PN40	J 150lbs	J 300lbs	B	C	D	E	H	F	VOL. * dm3	WGT ** Kg
15	115	115	125	130	114	260	185	75	150	1/2"	2	5
20	115	115	128	132	114	260	185	75	160	1/2"	2,5	6
25	115	115	131	137	114	300	200	100	170	1/2"	3	7
32	130	130	145	152	140	395	285	110	188	1/2"	5	12
40	130	130	147	154	140	435	325	110	195	1/2"	5,7	13,8
50	155	155	170	177	168	505	385	120	207	1/2"	10,5	19,5
65	190	197	215	221	219	550	410	140	261	3/4"	18,5	32
80	200	205	220	230	219	610	462	148	295	3/4"	25	38
100	235	245	260	267	273	715	528	187	345	3/4"	35,4	57
125	268	280	303	311	324	845	630	215	435	1"	50	81,5
150	283	303	316	326	356	962	692	270	475	1"	75	153
200	303	329	343	352	406	1170	880	290	500	1"	140	195

* Volume correspond to the PN16 design class. Classe PN40 may have slightly lower volumes.

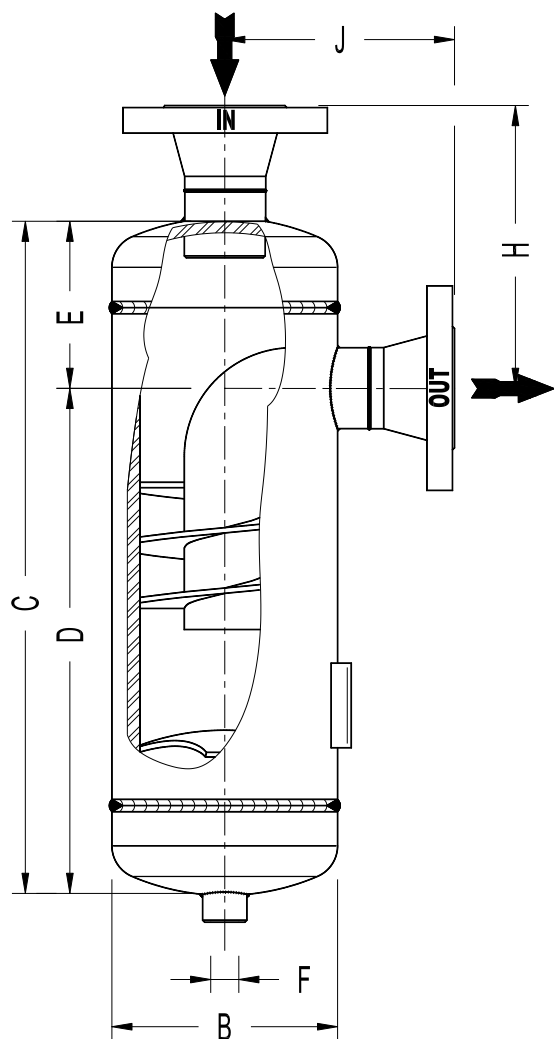
** Weight correspond to the class PN16 design.

F and G -connections can be supplied with alternative threads or flanges.

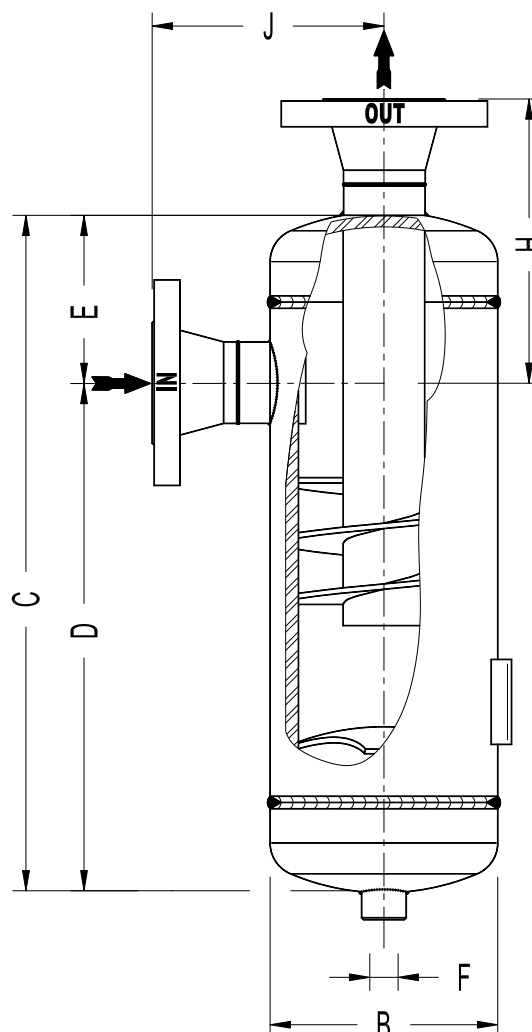
Consult factory for certified dimensions. Dimensions subject to change without notice.

Note: the top of the separator is supplied with a threaded connection with a size not exceeding the size of drain.

This connection is always supplied closed with a threaded socket. It can be used for air vent or balancing pipe connection.



VH - Direct vertical inlet / Horizontal outlet



HV - Direct horizontal inlet / Vertical outlet