



ADCATHERM SHELL AND TUBE & PLATE HEAT EXCHANGERS

DESCRIPTION

Adcatherm heat exchangers are divided by several lines from the traditional shell and tube to the PHE (plate heat exchangers) and offer solutions for many different industrial heat transfer applications.

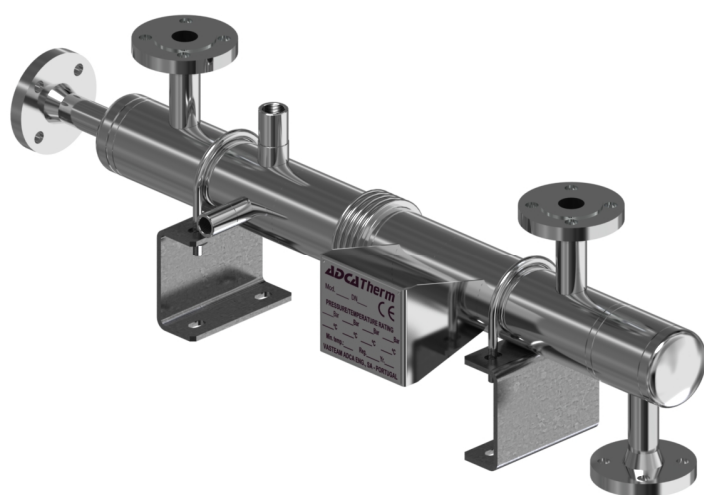
MAIN FEATURES

Different kinds of materials and designs available, according to the application.

OPTIONS: Packaged units, heating coils, special designs
USE: Steam, water, hot condensate and other fluids compatible with the construction.

AVAILABLE MODELS: STSH/STSV – Shell and tube sealed
STH/STV – Shell and tube bolted
PAT – Plate heat exchangers (gasketed and bolted)

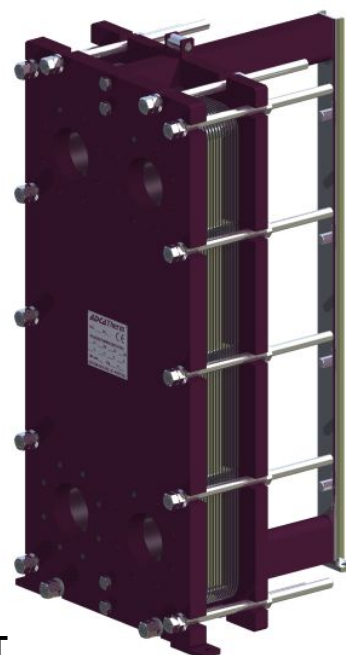
ORDER REQUIREMENTS: Type of fluids and correspondent pressures
Flow rates
Inlet and outlet temperatures
Output



STSH



STV



PAT

