

## BIMETALLIC STEAM TRAPS AND AIR ELIMINATORS BM 45 (DN1/2" – DN 1"; DN15 – DN25)

**DESCRIPTION**

BM45 series bimetallic steam traps and air eliminators are simple and robust traps, recommended for steam where condensate sensible heat can be recovered, steam tracing lines, drip points, storage tank coils, steam air venting, etc. The use of condensate sensible heat reduces the steam consumption. Connections are female screwed, socket weld, butt weld or flanged.

**MAIN FEATURES**

- Modulating discharge.
- Discharges condensate below steam temperature.
- Excellent air discharge.
- Operates on superheated steam.
- Unaffected by water-hammer and vibrations.
- Built-in strainer.

**USE:** Saturated and superheated steam.

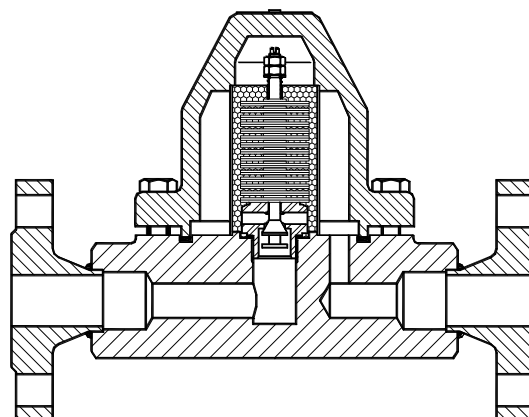
**AVAILABLE**

**MODELS:** BM45

**SIZES:** DN 1/2" to 1" ; DN15 to DN25.

**CONNECTIONS:** Female screwed BSP or NPT  
Flanged EN 1092-1 or ANSI  
SW - Socket weld to ANSI B 16.11  
BW - Butt weld to ANSI B16.25

**INSTALLATION:** Horizontal installation recommended, can be installed in any position. See IMI installation and maintenance instructions.


**BODY LIMITING CONDITIONS**

FLANGED ANSI 300 **	FLANGED PN63/100/ANSI 600*	RELATED TEMP.
ALLOW. PRES.	ALLOW. PRES.	
50 bar	63 bar	50 °C
41,8 bar	48 bar	250 °C
38,9 bar	43,5 bar	300 °C
28,7 bar	29,1 bar	425 °C

\* According to EN1092-1:2007 ; \*\* Acc. to EN1759-1:2004

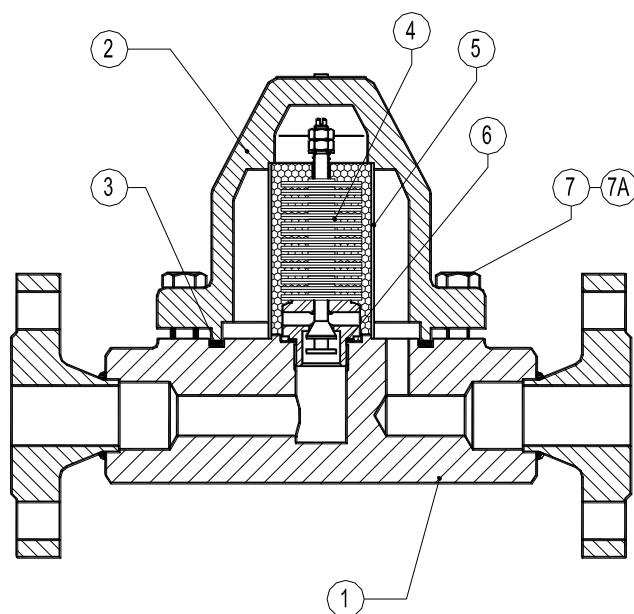
Operating pressure : 15 to 45 bar

Body limiting conditions PN63 or below, depending on the type of connection adopted. Rating PN63 for thread, SW and BW.

**FLOW RATE CAPACITY IN Kgs/h**

MODEL	SIZE DN	DIFFERENTIAL PRESSURE (bar)									
		15	17	20	22	25	28	30	40	42	45
BM 45	15 - 25 A	400	430	460	480	500	530	550	580	585	590
BM 45	15 - 25 B	2400	2600	2760	2800	3000	3100	3200	4000	4100	4200

A = Condensate discharge at 10°C below saturation temperature. B = Cold water capacity at about 20°C.



MATERIALS		
POS. Nr.	DESIGNATION	MATERIAL
1	Body	ASTM A105 / 1.0432 (Equiv.P250GH)
2	Cover	ASTM A105 / 1.0432 (Equiv.P250GH)
3	* Gasket	St.St./Graphite
4	* Valve assembly	Hardened St.Steel
5	* Strainer screen	AISI304 / 1.4301
6	* Seat gasket	AISI304 / 1.4301
7	Studs	ASTM A193 Gr.B7
7A	Nuts	ASTM A194 Gr.2H

\* Available spare parts

DIMENSIONS ( mm )													
	BSP - NPT - SW - BW				EN 1092-1 PN63 / PN100			ANSI 300			ANSI 600		
SIZE DN	A	C	D	WGT. Kgs	B	F*	WGT. Kgs	B	F*	WGT. Kgs	B	F*	WGT. Kgs
15-1/2"	160	120	115	6,3	52,5	230	8,8	47,5	230	9,1	47,5	230	8,2
20-3/4"	160	120	115	6,3	65	230	11,1	58,5	230	11,9	59	230	9,4
25-1"	160	120	115	6,3	70	230	11,8	62	230	13	62	230	10,2

\* Note: different face to face dimensions on request.

