

FLOAT AND THERMOSTATIC STEAM TRAPS FLT17 (DN 2" HC; DN 50 HC)

DESCRIPTION

FLT17 float and thermostatic (integral air vent) steam traps series are designed for all types of low and high pressure steam heating and process equipment.

Typical applications include unit heaters, heat exchangers, driers, jacketed vessels and all the applications where continuous drainage is essential.

Connections are female screwed or flanged for horizontal or vertical installation.

MAIN FEATURES

Modulating discharge.

Discharges condensate at steam temperature.

Unaffected by sudden or wide load and pressure changes.

Excellent air discharge (by thermostatic air vent).



- OPTIONS:** SLR – steam lock release
Equalizing plug or vent connection
- USE:** Saturated and superheated steam.
- AVAILABLE MODELS:** FLT17-4,5 , 10 and 14
- SIZES:** DN2" HC ; DN50 HC
- CONNECTIONS:** Female screwed ISO7/1 Rp (BS21)
Flanged EN 1092-2 PN16 or ANSI
- INSTALLATION:** Standard horizontal installation –
From right to left FLT17 (R-L)



Upon request:

-horizontal installation with the flow from left to right (L-R)

-vertical installation with the flow from top to bottom (V)

MAX. DIFFERENTIAL PRESSURE

FLT17HC-4,5 : 4,5 bar

FLT17HC-10 : 10 bar

FLT17HC-14: 14 bar

CE MARKING (PED - European Directive 97/23/EC)	
PN 16	Category
DN 50 HC	1 (CE Marked)

BODY LIMITING CONDITIONS		
FLANGED PN16*	FLANGED ANSI 150 **	RELATED TEMP.
ALLOW. PRES.	ALLOW. PRES.	
16 bar	15,4 bar	100 °C
15,5 bar	14,6 bar	150 °C
14,7 bar	13,8 bar	200 °C
13,9 bar	12,1 bar	250 °C

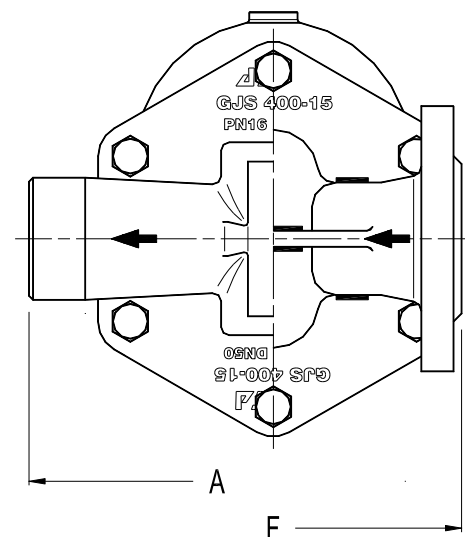
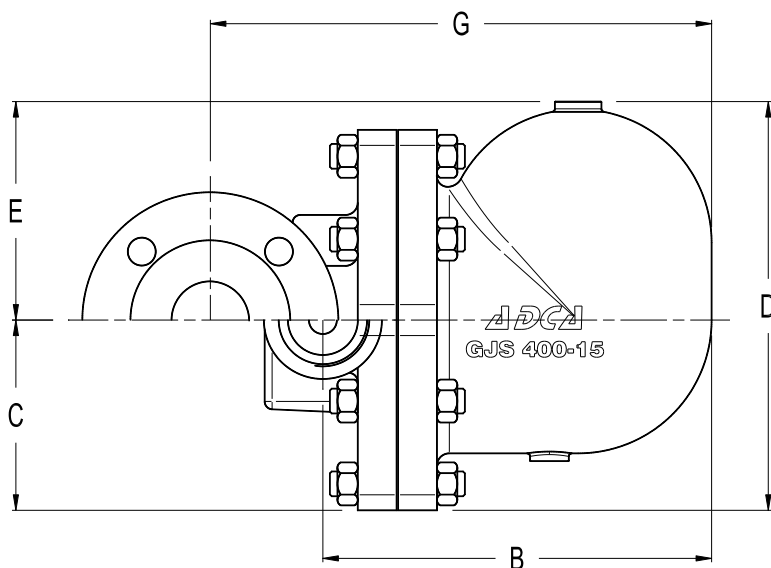
PMO - Max. operating pressure 14 bar

TMO - Max. operating temperature 198 °C

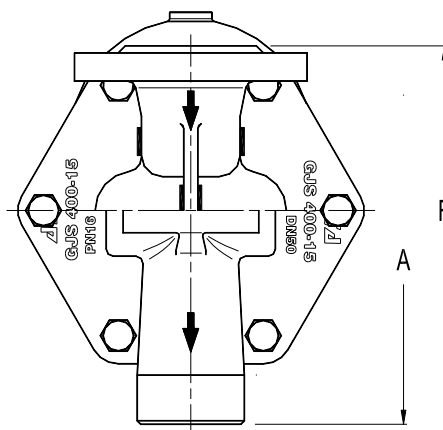
* According to EN1092-2:2000 ; ** Acc. to EN1759-1:2004

Body limiting conditions PN16 or below, depending on the type of connection adopted. Rating PN16 for thread.

FLOW RATE CAPACITY IN Kgs/h													
MODEL	SIZE	DIFFERENTIAL PRESSURE (bar)											
		0,1	0,3	0,5	0,7	1	1,5	2	4,5	7	10	12	14
FLT17-4,5	50HC	2400	5900	7550	9050	11000	14000	15500	22500				
FLT17-10	50HC	1800	3000	3900	4450	5000	6100	7100	10000	13750	16000		
FLT17-14	50HC	900	1500	1900	2300	2700	3100	3600	5000	6900	8100	9000	9800



DIMENSIONS (mm)												
Screwed							EN PN16			ANSI 150		
SIZE DN	A	B	C	D	E	WGT. Kgs	F	G	WGT. Kgs	F	G	WGT. Kgs
50-2"	300	250	126	266	140	21,6	230	325	27,8	230	325	27,6



Vertical Installation (V)

MATERIALS		
POS.Nr.	DESIGNATION	MATERIAL
1	Body	GJS-400-15 / 0.7040
2	Cover	GJS-400-15 / 0.7040
3	*Gasket	Stainless st. / Graphite
4	*Seat	CF8 / 1.4308
5	*Valve	AISI 420 / 1.4021
6	*Lever	AISI 304 / 1.4301
7	*Float	AISI 304 / 1.4301
8	*Air vent	Stainless st. (Bimetallic)
9	Bolts	Steel 8.8

*Available spare parts.

