

## FLOAT AND THERMOSTATIC STEAM TRAPS FLT32 (Cast steel DN50HC)

### DESCRIPTION

FLT32 float and thermostatic (integral air vent) steam traps series are designed for all types of low and high pressure steam heating and process equipment.

Typical applications include unit heaters, heat exchangers, driers, jacketed vessels and all the applications where continuous drainage is essential.

Connections are flanged for horizontal installation.

### MAIN FEATURES

Modulating discharge.

Discharges condensate at steam temperature.

Unaffected by sudden or wide load and pressure changes.

Excellent air discharge (by thermostatic air vent).

OPTIONS: SLR – steam lock release  
Equalizing plug or vent connection

USE: Saturated and superheated steam.

AVAILABLE

MODELS: FLT32-4,5 , 10 , 14 and 21

SIZES: DN50

CONNECTIONS: Flanged EN 1092-1 PN40

INSTALLATION: Standard horizontal installation –  
From right to left FLT32 (R-L)

Upon request:

-horizontal installation with the flow from left to right (L-R)



### MAX. DIFFERENTIAL PRESSURE

FLT32-4,5 : 4,5 bar

FLT32-10 : 10 bar

FLT32-14: 14 bar

FLT32-21: 21 bar

CE MARKING (PED - European Directive 97/23/EC)	
PN 40	Category
DN50	1 (CE Marked)

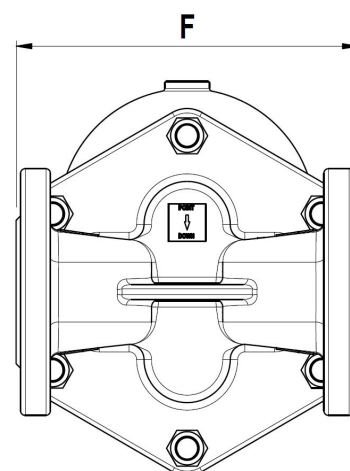
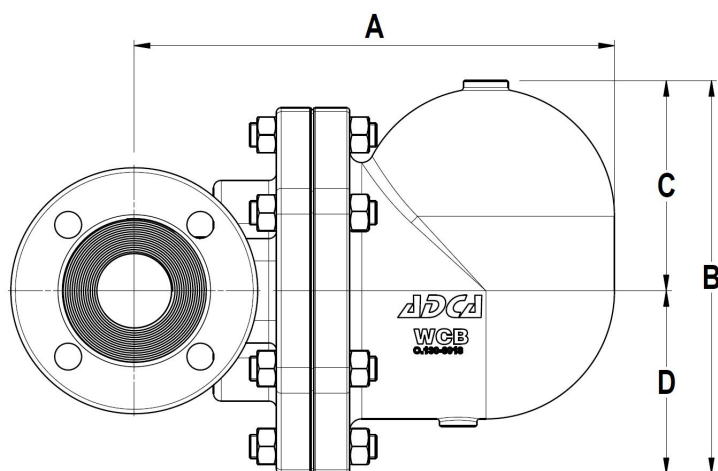
BODY LIMITING CONDITIONS	
FLANGED PN40 *	RELATED TEMP.
ALLOW. PRES.	
37,1 bar	100 °C
33,3 bar	200 °C
30,4 bar	250 °C
27,6 bar	300 °C

PMO - Max. operating pressure 32 bar

TMO - Max. operating temperature 250 °C

\* According to EN1092-1:2007 ;

FLOW RATE CAPACITY IN Kgs/h												
MODEL	SIZE	DIFFERENTIAL PRESSURE (bar)										
		0,5	1	1,5	2	4,5	7	10	12	14	16	21
FLT32-4,5	50HC	7550	11000	14000	15500	22500						
FLT32-10	50HC	3900	5000	6100	7100	10000	13750	16000				
FLT32-14	50HC	1900	2700	3100	3600	5000	6900	8100	9000	9800		
FLT32-21	50HC	1900	2700	3100	3600	5000	6900	8100	9000	9800	10050	11500



DIMENSIONS (mm)						
EN PN16 / 40						
SIZE DN	A	B	C	D	F	WGT. Kgs
50	321	264	141	123	230	37,5

MATERIALS		
POS.Nr.	DESIGNATION	MATERIAL
1	Body	GP240GH / 1.0619
2	Cover	GP240GH / 1.0619
3	*Gasket	Stainless st. / Graphite
4	*Seat	CF8 / 1.4308
5	*Valve	AISI 420 / 1.4021
6	*Lever	AISI 304 / 1.4301
7	*Float	AISI 304 / 1.4301
8	*Air vent	Stainless st. (Bimetallic)
9	Bolts	Steel 8.8

\*Available spare parts.

