

FLOAT AND THERMOSTATIC STEAM TRAPS

Twin Float Traps DN 80 DN 100

FLT22G/TW – Steel body / Cast iron cover

DESCRIPTION

FLT22G/TW float and thermostatic (integral air vent) steam traps series are designed for all types of low and high pressure steam heating and process equipment. Typical applications include unit heaters, heat exchangers, driers, jacketed vessels and all the applications where continuous drainage is essential. Connections are flanged for horizontal application.


MAIN FEATURES

Modulating discharge.
 Discharges condensate at steam temperature.
 Unaffected by sudden or wide load and pressure changes.
 Excellent air discharge (by thermostatic air vent).

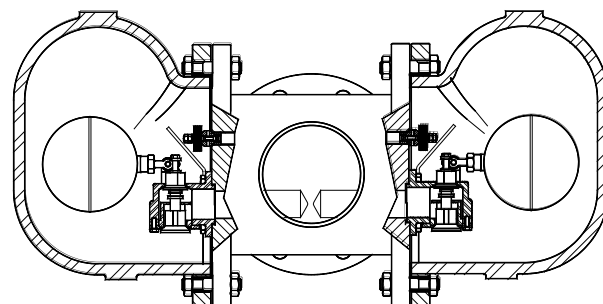
USE: Saturated and superheated steam.

AVAILABLE MODELS: FLT 22G/TW

SIZES: DN 80 – DN 100

CONNECTIONS: Flanged EN 1092-1PN16 or ANSI

INSTALLATION: Horizontal standard installation.


MAX. DIFFERENTIAL PRESSURE

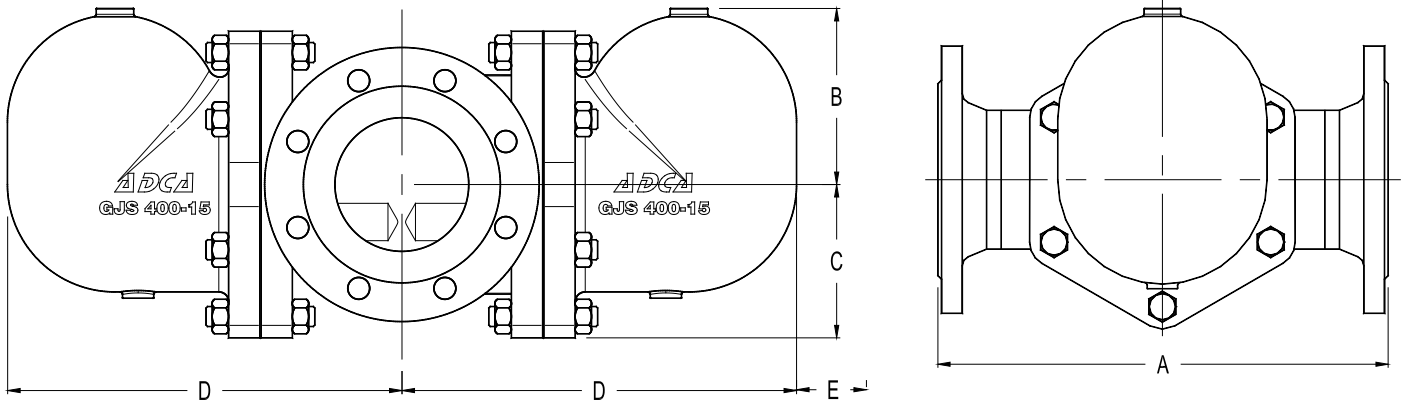
FLT22G/TW-4,5 : 4,5 bar
 FLT22G/TW-10 : 10 bar
 FLT22G/TW-14: 14 bar

CE MARKING (PED - European Directive 97/23/EC)	
PN 16	Category
DN80 - DN100	1 (CE Marked)

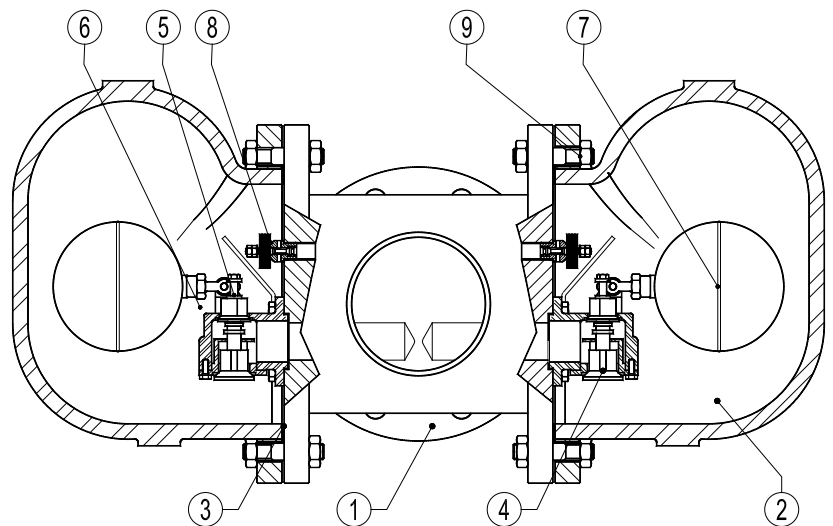
BODY LIMITING CONDITIONS	
FLANGED PN 16 / ANSI 150 *	RELATED TEMP.
ALLOW. PRES.	
14,8 bar	100 °C
14 bar	150 °C
13,3 bar	200 °C
12,1 bar	250 °C

PMO - Max. operating pressure 14 bar
 TMO - Max. operating temperature 198 °C
 * According to EN1092-1:2007

FLOW RATE CAPACITY IN Kgs/h										
MODEL	SIZE	DIFFERENTIAL PRESSURE (bar)								
		0,5	0,7	1	1,5	2	4,5	7	10	14
FLT22G/TW-4,5	80-100	15100	18100	22000	28000	31000	45000			
FLT22G/TW-10	80-100	7800	8900	10000	12200	14200	20000	27500	32000	
FLT22G/TW-14	80-100	3800	4600	5400	6200	7200	10000	13800	16200	19600


DIMENSIONS (mm)

SIZE DN	A	B	C	D	E	WGT. Kgs
80 - 3"	350	141	123	315	200	73
100 - 4"	350	141	123	315	200	71


MATERIALS

POS.Nr.	DESIGNATION	MATERIAL FLT22G/TW
1	Body	P250GH / 1.0460 ; P235GH / 1.0305 ; S355J2G3 / 1.0570 ; S235JRG2/1.0038
2	Cover	GJS-400-15 / 0.7040
3	*Gasket	Graphite
4	*Seat	CF8 / 1.4308
5	*Valve	AISI420 / 1.4021
6	*Lever	AISI304 / 1.4301
7	*Float	AISI304 / 1.4301
8	*Air vent	Stainless steel (Bimetalic)
9	Bolts	Steel 8.8

*Available spare parts.