

FLOAT AND THERMOSTATIC STEAM TRAPS FLT 50 S and FLT65 S (Fabricated steel) DN50 – DN100

DESCRIPTION

FLT50S / 65S float and thermostatic (integral air vent) steam traps series are designed for all types of low and high pressure steam heating and process equipment.

Typical applications include unit heaters, heat exchangers, driers, jacketed vessels and all the applications where continuous drainage is essential.

Connections are flanged.



MAIN FEATURES

Modulating discharge.

Discharges condensate at steam temperature.

Unaffected by sudden or wide load and pressure changes.

Excellent air discharge (by thermostatic air vent).

OPTIONS: Equalizing plug or vent connection

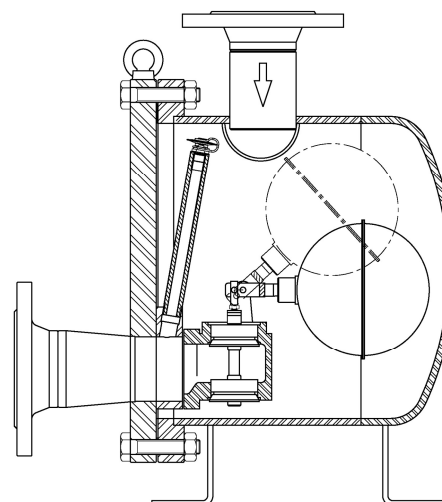
USE: Saturated and superheated steam.

AVAILABLE MODELS: FLT50S – FLT65S

SIZES: FLT50 - DN 50 and DN 65
FLT65 – DN65 to DN100

CONNECTIONS: Flanged EN 1092-1 PN16 or ANSI

INSTALLATION: Horizontal standard installation with vertical inlet and horizontal outlet.



BODY LIMITING CONDITIONS

FLANGED PN 16 / ANSI 150 *	RELATED TEMP.
ALLOW. PRES.	
14,8 bar	100 °C
13,3 bar	200 °C
12,1 bar	250 °C
11 bar	300 °C

PMO - Max. operating pressure 12 bar

TMO - Max. operating temperature 250 °C

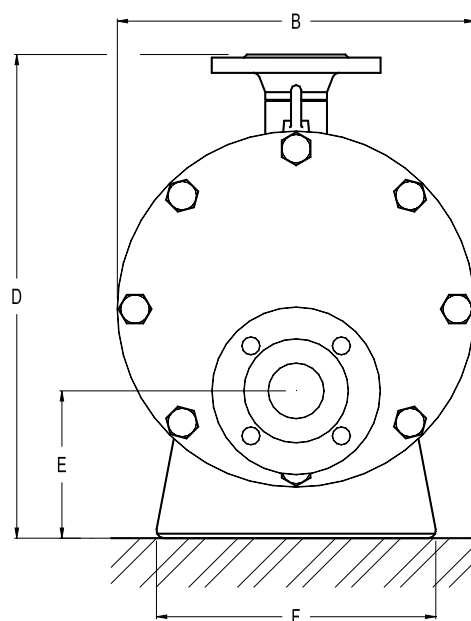
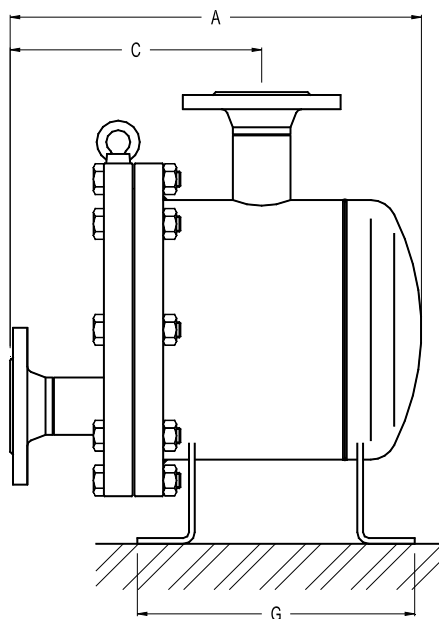
* According to EN1092-1:2007

CE MARKING (PED - European Directive 97/23/EC)

PN 16	Category
FLT50 DN50 - DN65	2 (CE Marked)
FLT65 DN65 - DN100	2(CE Marked)

FLOW RATE CAPACITY IN Kgs/h

MODEL	SIZE	DIFFERENTIAL PRESSURE (bar)															
		0,1	0,3	0,5	1	1,5	2	2,5	3	3,5	4	5	6	7	8	10	12
FLT50-12	50-65	7500	10000	11300	12500	13500	15000	16000	17500	18500	20000	20500	21500	22000	22500	23000	23500
FLT65-12	65-100	18800	22700	24500	29000	31000	34000	37000	38000	39500	42000	43500	45500	47000	48000	49500	50000



DIMENSIONS (mm)										
MODEL	SIZE DN	A	B	C	D	E	F	G	VOL. dm3	WGT. Kgs
FLT 50	50 - 2"	430	350	250	480	145	275	290	14,4	59
FLT 50	65 - 2 1/2"	460	350	280	480	145	275	290	14,8	60
FLT 65	65 - 2 1/2"	475	440	255	570	160	360	360	26,5	96,6
FLT 65	80 - 3"	506	440	286	570	160	360	360	27	98,5
FLT 65	100 - 4"	520	440	300	570	160	360	360	28	100,5

MATERIALS		
POS.Nr.	DESIGNATION	MATERIAL FLT50 - FLT65
1	Body	P250GH / 1.0460 ; P235GH / 1.0305 ; S355J2G3 / 1.0570 ; S235JRG2/1.0038
2	Cover	P235GH / 1.0305 ; P265GH / 1.0425 ; S355J2G3 / 1.0570
3	*Gasket	Graphite
4	*Seat	CF8 / 1.4308
5	*Valve	AISI420 / 1.4021; CF8M / 1.4408
6	*Lever	AISI316 / 1.4401 ; AISI304 / 1.4301
7	*Float	AISI304 / 1.4301
8	*Air vent	Stainless steel (Thermostatic)
9	Bolts	Steel 8.8

*Available spare parts.

