

## HIGH CAPACITY FLOAT AND ORIFICE STEAM TRAPS FLT 120 S (Fabricated steel) DN150

### DESCRIPTION

FLT120S float and orifice steam traps series are designed for all types of low pressure steam heating and process equipment.

Typical applications include unit heaters, heat exchangers, driers, jacketed vessels and all the applications where continuous drainage is essential.

Specially designed for the sugar industry where extremely high flow rates are involved.

Connections are flanged.



### MAIN FEATURES

Modulating discharge.

Discharges condensate at steam temperature.

Unaffected by sudden or wide load and pressure changes.

OPTIONS: Special designs  
USE: Saturated steam.

### AVAILABLE

MODELS: FLT120S  
SIZES: DN 150  
CONNECTIONS: Flanged EN 1092-1 PN16 or ANSI  
INSTALLATION: Horizontal standard installation.

BODY LIMITING CONDITIONS	
FLANGED PN 16 / ANSI 150 *	RELATED TEMP.
ALLOW. PRES.	
14,8 bar	100 °C
13,3 bar	200 °C
12,1 bar	250 °C
11 bar	300 °C

PMO - Max. operating pressure 4 bar

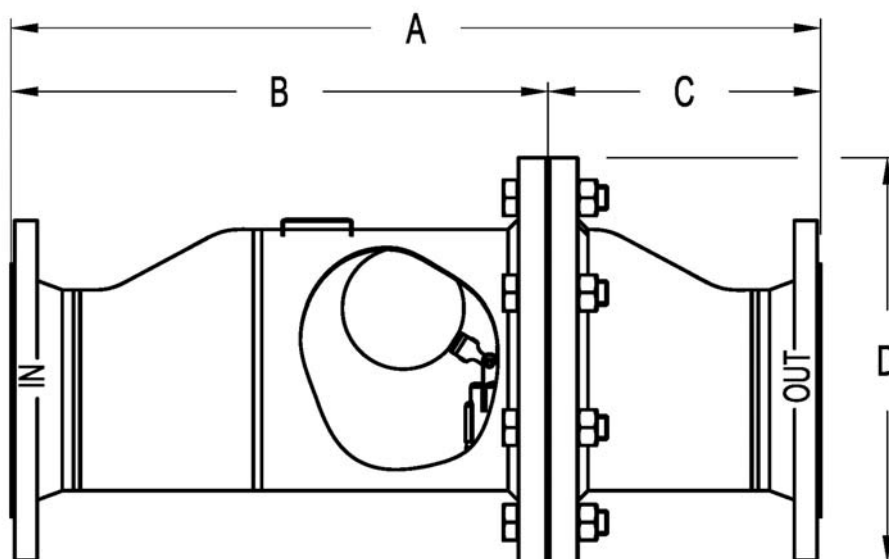
TMO - Max. operating temperature 250 °C

\* According to EN1092-1:2007

CE MARKING (PED - European Directive 97/23/EC)	
Rated PN 10	Category
FLT120S - DN150	2 (CE Marked)
Rated PN 16	Category
FLT120S - DN150	2 (CE Marked)

FLOW RATE CAPACITY WITH ONE MECHANISM AND ORIFICE								
Dif. Press. bar	Max	*Min.	Max	*Min.	Max	*Min.	Max	*Min.
0,1	14000	6200	19000	10500	22000	13500	26000	17500
0,3	24000	10500	33000	18000	36000	22000	42000	28500
0,7	35000	15500	48000	26500	55000	34000	61000	41500
1	40000	17000	56000	31000	61000	37500	70000	47500
1,5	48000	21500	63000	35000	71000	44000	83000	56500
2	56000	24500	72000	39500	82000	51000	98000	66500
3	65000	28500	89000	49000	98000	60500	120000	81500
4	72000	31000	98000	54000	115000	72000	130000	88500
Orifice Nr.	O1		O2		O3		O4	

\* The minimum flow rate is necessary to ensure that the orifice does not waste steam.



**DIMENSIONS (mm)**

MODEL	SIZE DN	A	B	C	D	WGT. Kgs
FLT 120S	150	680	450	230	340	68

**MATERIALS**

POS.N r.	DESIGNATION	MATERIAL
1	Body	P250GH / 1.0460 ; P235GH / 1.0305 ; S355J2G3 / 1.0570 ; S235JRG2/1.0038
2	Cover	P250GH / 1.0460 ; P235GH / 1.0305 ; S355J2G3 / 1.0570 ; S235JRG2/1.0038
3	*Gasket	Graphite
4	*Seat	CF8 / 1.4308
5	*Valve	AISI420 / 1.4021; CF8M / 1.4408
6	*Lever	AISI316 / 1.4401 ; AISI304 / 1.4301
7	*Float	AISI304 / 1.4301
8	Bolts	Steel 8.8

\*Available spare parts.

