

INVERTED BUCKET STEAM TRAPS IB35S (Carbon steel / stainless steel) IB35SS (All stainless steel)

DESCRIPTION

IB35 series inverted bucket steam traps are recommended for all services where the most important requirements are overall operating efficiency and long, trouble-free service life. They operate intermittently, either wide open or tightly closed and are therefore best suited for service at medium and high steam pressures.

Connections are female screwed or flanged.

MAIN FEATURES

Intermittent discharge.

Discharges condensate at steam temperature.

Unaffected by water-hammer and vibrations.

Easy to maintain.

OPTIONS: Anti-freeze device
USE: Saturated and superheated steam.

AVAILABLE

MODELS: IB35S and IB35SS

SIZES: DN ½" - DN 1" ; DN15 - DN25

CONNECTIONS: Female screwed ISO7/1 Rp (BS21)

Flanged EN 1092-1 PN40 or ANSI

INSTALLATION: Horizontal installation
See IMI installation and maintenance instructions.



IB35S



IB35SS

BODY LIMITING CONDITIONS				
IB35S		IB35SS		RELATED TEMP.
FLANGED PN 40 / ANSI 300 *	FLANGED ANSI 150 **	FLANGED PN 40 / ANSI 300 *	FLANGED ANSI 150 **	
ALLOW. PRES.	ALLOW. PRES.	ALLOW. PRES.	ALLOW. PRES.	
37,1 bar	15,4 bar	40 bar	16 bar	100 °C
33,3 bar	13,8 bar	33,7 bar	13,6 bar	200 °C
25,7 bar	8,4 bar	28,5 bar	8,4 bar	350 °C
23,8 bar	6,5 bar	27,4 bar	6,5 bar	400 °C

PMO - Max. operating pressure 27 bar ; TMO - Max. operating temperature 380 °C

* According to EN1092-1:2007 ; ** Acc. to EN1759-1:2004

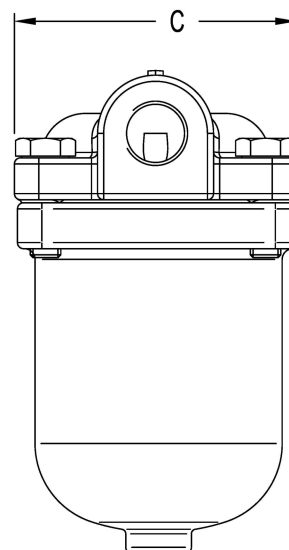
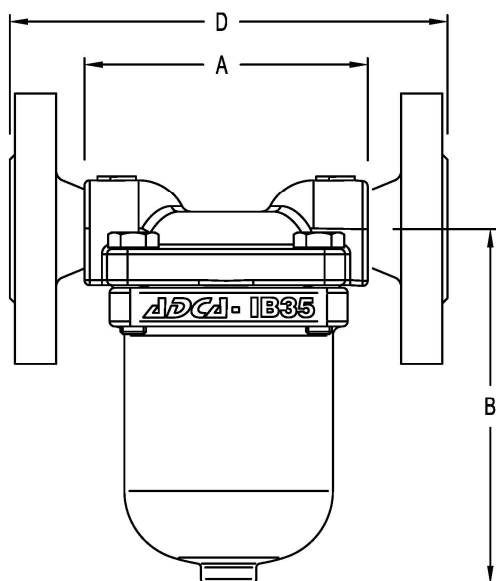
Body limiting conditions PN40 or below, depending on the type of connection adopted. Rating PN40 for thread, SW and BW.

MAX. DIFFERENTIAL PRESSURE

IB35S-17 – IB35SS-17 : 17 bar

IB35S-27 – IB35SS-27 : 27 bar

FLOW RATE CAPACITY IN Kgs/h																		
MODEL	SIZE	DIFFERENTIAL PRESSURE (bar)																
		1	2	3	4	5	6	7	8	10	11	12	14	17	20	22	24	27
IB35-17	15 - 25	140	180	200	215	225	235	240	250	265	270	275	280	400				
IB35-27	15 - 25	80	100	115	120	125	132	137	140	150	153	155	158	233	240	245	250	255



DIMENSIONS (mm) - IB35S										
Screwed and SW*					EN PN16/40		ANSI 150		ANSI 300	
SIZE DN	A	B	C	WGT. Kgs	D	WGT. Kgs	D	WGT. Kgs	D	WGT. Kgs
15-1/2"	110	125	92	2,3	170	3,8	170	3,3	170	4,1
20-3/4"	110	125	92	2,3	170	4,3	170	3,7	170	5,3
25-1"	110	125	92	2,3	180	4,9	180	4,5	180	6,1

* BW (butt weld) on request.

DIMENSIONS (mm) - IB35SS										
Screwed and SW*					EN PN16/40		ANSI 150		ANSI 300	
SIZE DN	A	B	C	WGT. Kgs	D	WGT. Kgs	D	WGT. Kgs	D	WGT. Kgs
15-1/2"	110	125	92	2,3	170	3,8	170	3,3	170	4,1
20-3/4"	110	125	92	2,3	170	4,3	170	3,7	170	5,3
25-1"	**160	125	92	2,3	180	4,9	180	4,5	180	6,5

* BW (butt weld) on request; ** With welded threaded socket

MATERIALS			
POS.Nr.	DESIGNATION	IB35S	IB35SS
1	Body	P250GH / 1.0460	CF8M / 1.4408
2	Cover	CF8M / 1.4408	CF8M / 1.4408
3	*Gasket	Graphite	Graphite
4	*Seat	AISI 410 / 1.4006	AISI 410 / 1.4006
5	*Valve	AISI 410 / 1.4006	AISI 410 / 1.4006
6	*Lever	AISI 304 / 1.4301	AISI 304 / 1.4301
7	*Bucket	AISI 304 / 1.4301	AISI 304 / 1.4301
8	Inlet tube	AISI 304 / 1.4301	AISI 304 / 1.4301
9	Bolts	A2 - 70	A2 - 70
10	**Anti-freeze device	AISI 304 / 1.4301	AISI 304 / 1.4301

* Available spare parts

**Optional

