

## THERMOSTATIC STEAM TRAPS AND AIR ELIMINATORS

### TH 21SS (Stainless steel)

(DN 1/2" – 1"; DN 15 - 25)

#### DESCRIPTION

The TH21SS series thermostatic steam traps and air eliminators are specifically designed for use on process equipment such as kettle cookers, sterilizers, food, chemical and laundry equipment.

Connections are female screwed or flanged.

#### MAIN FEATURES

Modulating discharge.

Discharges condensate close to steam temperature.

Thermostats for different sub cooling (5°K to 30°K).

Excellent air discharge .

Operates on moderate superheated steam.

Built-in strainer.

OPTIONS: LC-low capacity  
USE: Saturated steam.

#### AVAILABLE

MODELS: TH21SS ,TH21SSLC, TH21/2SS

SIZES: DN 1/2" to DN 1" ; DN15 to DN25

CONNECTIONS: Female screwed ISO 7/1 Rp (BS21)

Flanged EN 1092-1 PN40 or ANSI

INSTALLATION: Horizontal installation recommended,  
can be installed in any position.



**TH21SS**



**TH21/2SS**

#### BODY LIMITING CONDITIONS

BODY LIMITING CONDITIONS		
FLANGED PN40 / ANSI 300*	FLANGED ANSI 150 **	RELATED TEMP.
ALLOW. PRES.	ALLOW. PRES.	
40 bar	16 bar	100 °C
33,7 bar	13,6 bar	200 °C
31,8 bar	12 bar	250 °C
29,7 bar	10,2 bar	300 °C

PMO - Max. op.pressure 21 bar;TMO - Max. Op.temperature 250 °C

\* According to EN1092-1:2007 ; \*\* Acc. to EN1759-1:2004

Body limiting conditions PN40 or below, depending on the type of connection adopted. Rating PN40 for thread.

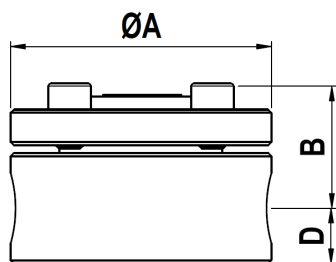
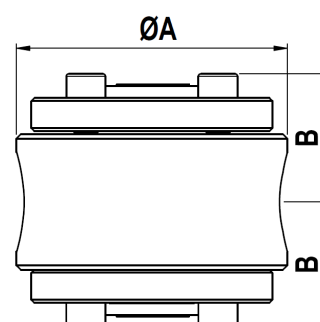
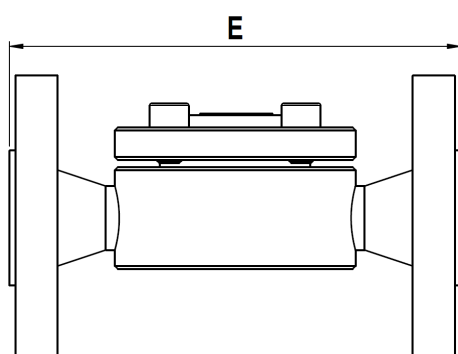
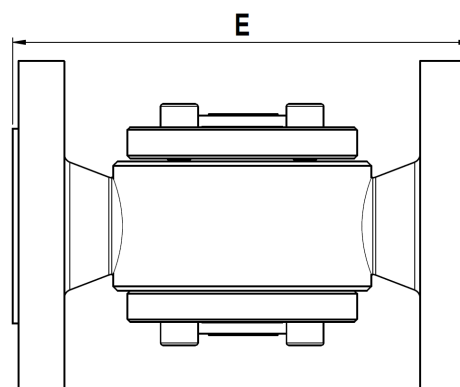
#### FLOW RATE CAPACITY IN Kgs/h

MODEL	SIZE	DIFFERENTIAL PRESSURE (bar)														
		DIFFERENTIAL PRESSURE (bar)														
		0,2	0,3	0,5	1	1,5	2	3	4	6	8	10	13	15	20	21
<b>TH21SS</b>	<b>15 - 25</b>	70	120	140	255	330	385	455	510	600	670	700	720	750	775	795
<b>TH21SSLC</b>	<b>15 - 25</b>	45	55	70	95	125	135	180	200	270	315	330	360	370	405	415
<b>TH21/2SS</b>	<b>25</b>	140	240	280	510	660	770	910	1020	1200	1340	1400	1440	1500	1550	1590

Capacities shown refer to condensate at 10°C below saturated steam temperature (standard type-S thermostat) .

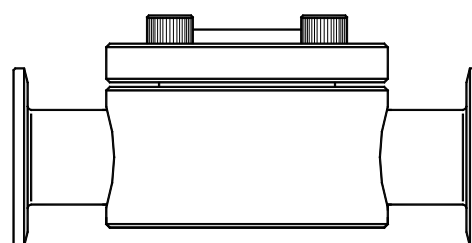
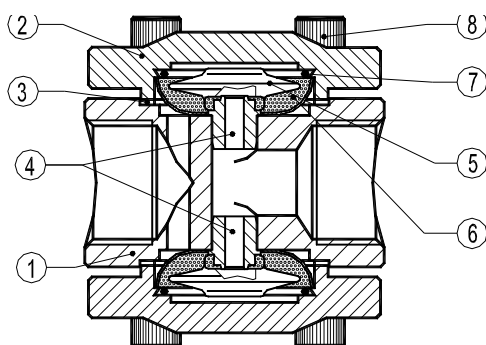
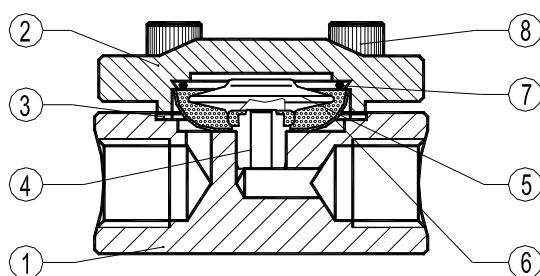
Thermostats for 5° C type-H and 30° type-L, also available.

Capacities for cold condensate discharge at 20°C are two to three times greater.


**TH21SS**

**TH21/2SS (Only DN25-1")**


DIMENSIONS (mm)										
Screwed					EN PN16/40		ANSI 150		ANSI 300	
SIZE DN	A	B	D	WGT.* Kgs	E	WGT.* Kgs	E	WGT.* Kgs	E	WGT.* Kgs
15-1/2"	80	35	17	1,8	150	3,3	150	2,8	150	3,6
20-3/4"	80	37	20	1,9	150	4,1	150	3,2	150	4,8
25-1"	80	40	23	2,1	160	5,1	160	4,3	160	5,9

\* Additional weight for the TH21/2 : 0,15 kgs



( Tri-clamp – on request )

MATERIALS		
POS.N r.	DESIGNATION	MATERIAL
1	Body	AISI316 / 1.4401
2	Cover	AISI316 / 1.4401
3	* Gasket	St.St./Graphite
4	* Valve seat	AISI304 / 1.4301
5	* Thermostatic element	Stainless steel
6	* Strainer screen	AISI304 / 1.4301
7	* Spring	AISI302 / 1.4300
8	Bolts	St.Steel A2-70

\* Available spare parts