

BIMETALLIC STEAM TRAP UBS20 (For use with universal pipeline connectors)

DESCRIPTION

UBS20 complete stainless steel, maintenance free, sealed, series bimetallic steam traps and air eliminators are simple and robust traps, recommended for drip service, steam tracing applications and where condensate sensible heat can be recovered.

These traps fit the UCX universal connectors and CTS4U compact stations.

MAIN FEATURES

- Sealed, non-maintainable.
- Modulating discharge.
- Discharges condensate below steam temperature.
- Excellent air discharge.
- Operates on superheated steam.
- Unaffected by water-hammer and vibrations.

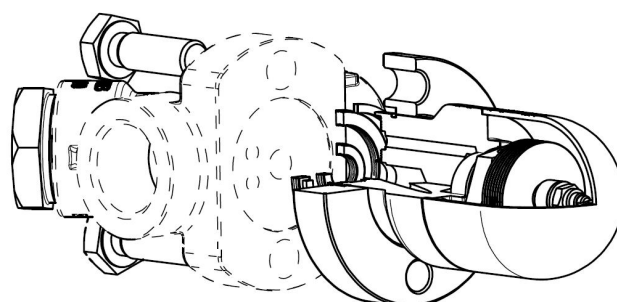
OPTIONS: Different operating limits.

USE : Saturated and superheated steam.

AVAILABLE MODELS : UBS 20

SIZES : According to the selected pipeline connector .

INSTALLATION: In any position



BODY LIMITING CONDITIONS		
PN40 *	ANSI 300 **	RELATED TEMP.
ALLOW. PRES.	ALLOW. PRES.	
40 bar	48,1 bar	50 °C
36,3 bar	38,6 bar	150 °C
31,8 bar	33,5 bar	250 °C
29,7 bar	31,6 bar	300 °C

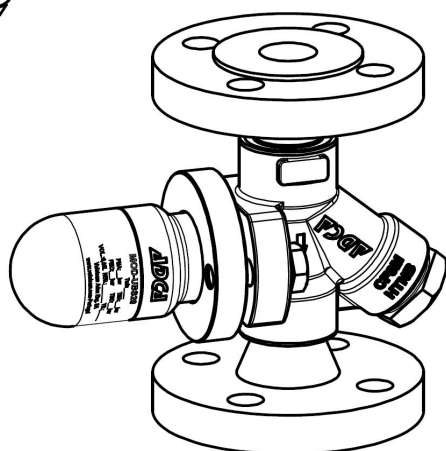
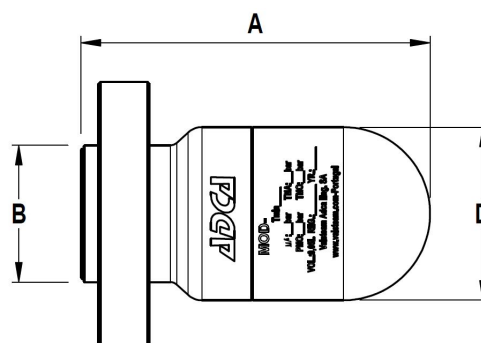
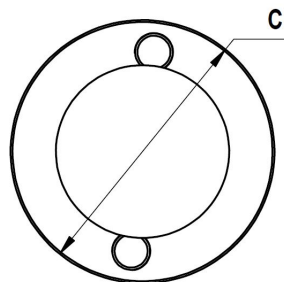
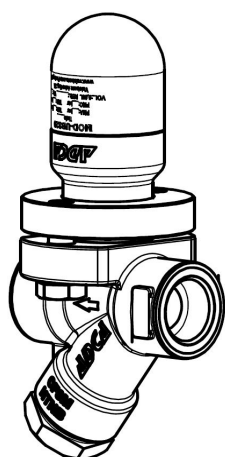
PMO - Max. operating pressure 22 bar

TMO - Max. operating temperature 250 °C

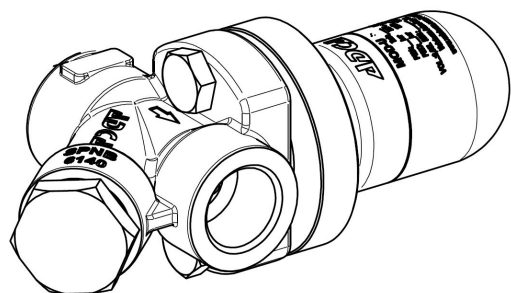
The connector may restrict the operating conditions to a below rating.

FLOW RATE CAPACITY IN Kgs/h										
MODEL	DIFFERENTIAL PRESSURE (bar)									
	0,5	1	2	4	6	8	10	12	14	17
UBS20 (A)	125	200	320	410	445	485	500	540	580	600
UBS20 (B)	450	700	1000	1220	1340	1450	1560	1650	1780	1850

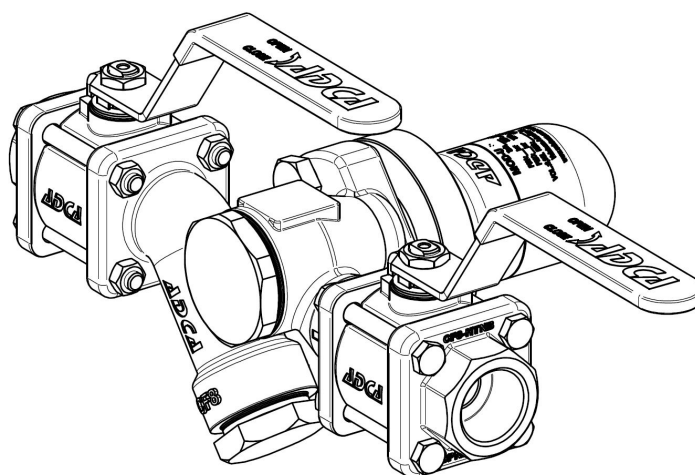
A = Condensate discharge at 10°C below saturation temperature. B = Cold water capacity at about 20°C.



DIMENSIONS (mm)					
MODEL	A	B	ØC	ØD	WEIGHT Kg
UBS20	89	35	67	44	1,3



UBS steam trap fitted to UCX pipeline connector



UBS steam trap fitted to CTS4U compact station

MATERIALS		
POS.Nr.	DESIGNATION	MATERIAL
1	Body	AISI316 / 1.4401
2	Cover	AISI316 / 1.4401
3	Valve seat	AISI304 / 1.4301
4	Discs	Bimetall
6	Gasket	Copper
7	*Inlet gasket	St.Steel / Graphite
8	*Outlet gasket	St.Steel / Graphite
9	Flange	AISI316 / 1.4401
10	Retainer ring	Steel
11	Bolts	ASTMA193 Gr.B7

* Available spare parts

