



THERMOSTATIC STEAM TRAP UTS22 (For use with universal pipeline connectors)

DESCRIPTION

UTS22 complete stainless steel, maintenance free, sealed series thermostatic steam traps and air eliminators are specifically designed to be used on process equipment such as kettle cookers, sterilizers, food, chemical and laundry equipment.

These traps fit the UCX universal connectors and CTS4U compact stations.

MAIN FEATURES

Sealed, non-maintainable.

Modulating discharge.

Discharges condensate close to steam temperature.

Thermostats for different sub cooling temperatures (5°K to 30°K).

Excellent air discharge.

Operates on moderate superheated steam.

OPTIONS: LC-low capacity

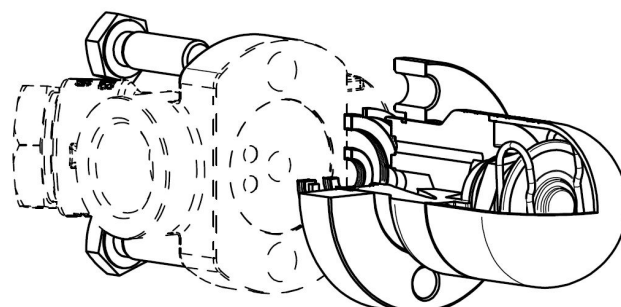
USE : Saturated steam.

AVAILABLE

MODELS : UTS 22

SIZES : According to the selected pipeline connector.

INSTALLATION: In any position.



BODY LIMITING CONDITIONS

PN40 *	ANSI 300 **	RELATED TEMP.
ALLOW. PRES.	ALLOW. PRES.	
40 bar	48,1 bar	50 °C
36,3 bar	38,6 bar	150 °C
31,8 bar	33,5 bar	250 °C
29,7 bar	31,6 bar	300 °C

PMO - Max. operating pressure 22 bar

TMO - Max. operating temperature 250 °C

The connector may restrict the operating conditions to a below rating.

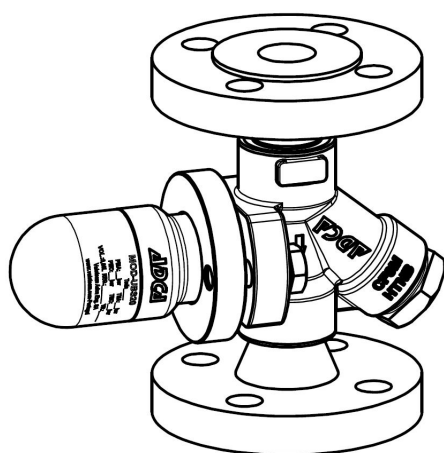
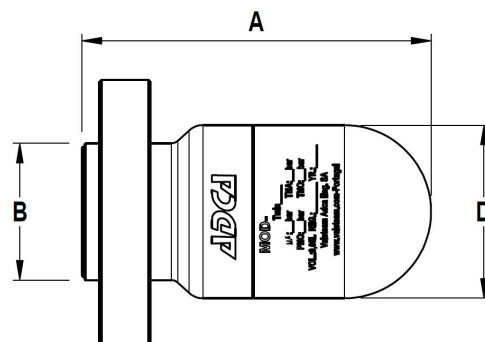
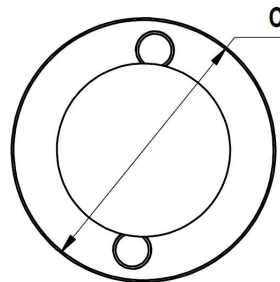
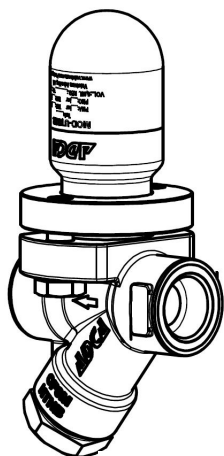
FLOW RATE CAPACITY IN Kgs/h

MODEL	DIFFERENTIAL PRESSURE (bar)														
	0,2	0,3	0,5	1	1,5	2	3	4	6	8	10	13	15	20	22
UTS 22	70	120	140	255	330	385	455	510	600	670	700	720	750	775	795
UTS22LC	45	55	70	95	125	135	180	200	270	315	330	360	370	405	415

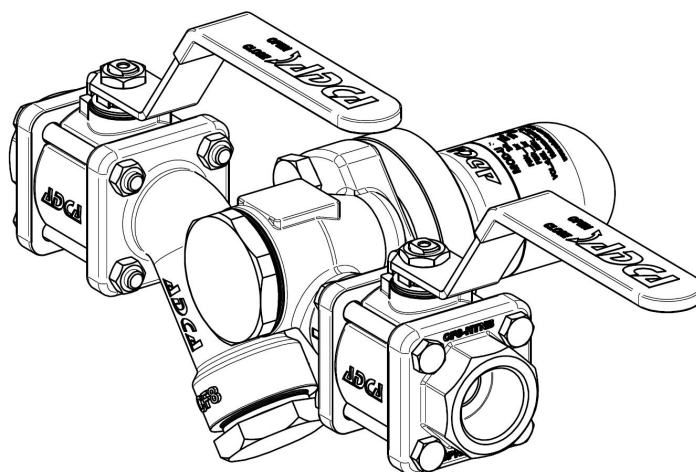
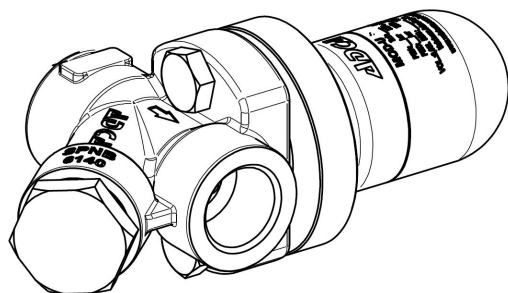
Capacities shown refer to condensate at 10°C below saturated steam temperature (standard type-S thermostat) .

Thermostats for 5° C (type-H) and 30° (type-L), also available.

Capacities for cold condensate discharge at 20°C are two to three times greater.



DIMENSIONS (mm)					
MODEL	A	B	ØC	ØD	WEIGHT Kg
UTS22	89	35	67	44	0,95



UTS steam trap fitted to CTS4U compact station

UTS steam trap fitted to UCX pipeline connector

MATERIALS		
POS.Nr.	DESIGNATION	MATERIAL
1	Body	Al Si316 / 1.4401
2	Cover	Al Si316 / 1.4401
3	Valve seat	Al Si304 / 1.4301
4	Thermostatic element	Stainless steel
5	Spring	Al Si302 / 1.4300
6	Gasket	Copper
7	*Inlet gasket	St.Steel / Graphite
8	*Outlet gasket	St.Steel / Graphite
9	Flange	Al Si316 / 1.4401
10	Retainer ring	Steel
11	Bolts	ASTMA 193 Gr.B7

* Available spare parts

