

FLOAT & THERMOSTATIC STEAM TRAPS UFS32 (For use with universal pipeline connectors)

DESCRIPTION

UFS32 complete stainless steel, maintenance free, sealed, float and thermostatic (integral air vent) steam traps series are designed for low and medium pressure steam and all types of heating and process equipment.

Typical applications include unit heaters, heat exchangers, driers, jacketed vessels and all the applications where continuous drainage is essential.

These traps fit the UCX universal connectors and CTS4U compact stations.



MAIN FEATURES

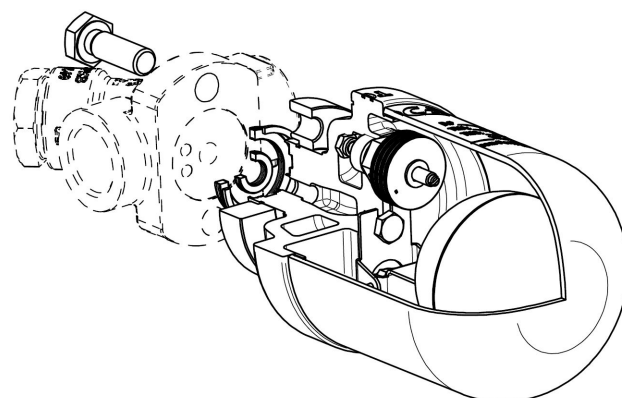
- Sealed, non-maintainable.
- Modulating discharge.
- Discharges condensate at steam temperature.
- Unaffected by sudden or wide load and pressure changes.
- Excellent air discharge (by thermostatic air vent)

USE : Saturated and superheated steam.

AVAILABLE MODELS : UFS32 – 4,5 to 32.

SIZES : According to the pipeline connector.

INSTALLATION : Always in a horizontal plane with the “O” of the TOP inscription perfectly aligned with the vertical axis.



BODY LIMITING CONDITIONS

PN40 *	ANSI 300 **	RELATED TEMP.
ALLOW. PRES.	ALLOW. PRES.	
40 bar	48,1 bar	50 °C
36,3 bar	38,6 bar	150 °C
31,8 bar	33,5 bar	250 °C
29,7 bar	31,6 bar	300 °C

PMO - Max. operating pressure 32 bar

TMO - Max. operating temperature 245 °C

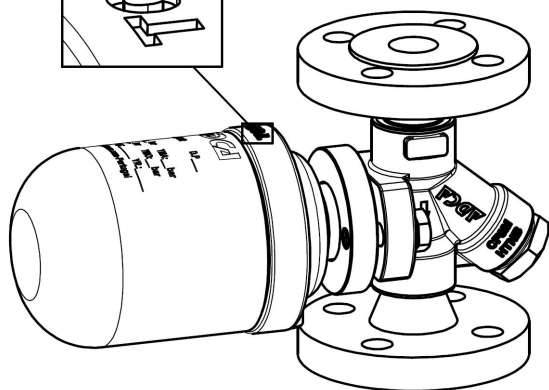
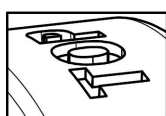
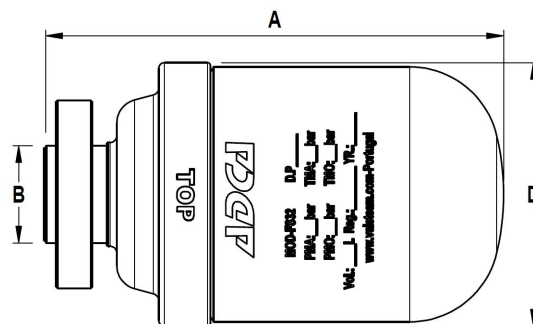
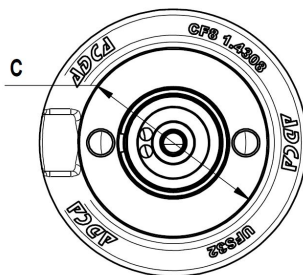
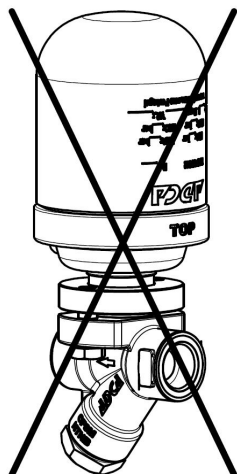
The connector may restrict the operating conditions to a below rating.

MAX. DIFFERENTIAL PRESSURE

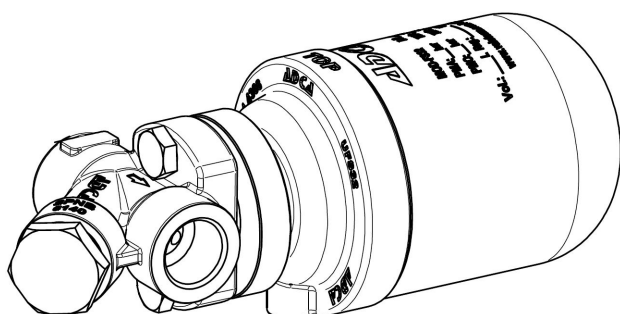
UFS32-4,5 :	4,5 bar
UFS32-10 :	10 bar
UFS32-14 :	14 bar
UFS32-21 :	21 bar
UFS32-32 :	32 bar

FLOW RATE CAPACITY IN Kgs/h

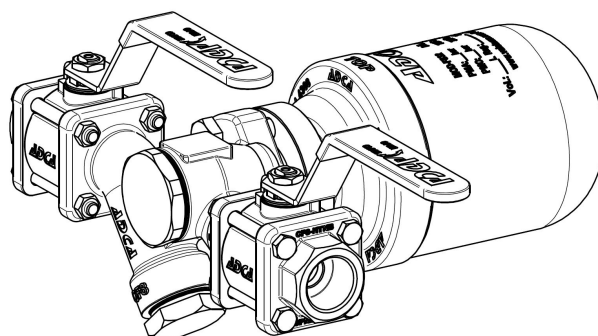
MODEL	DIFFERENTIAL PRESSURE (bar)															
	0,5	1	1,5	2	3	4,5	6	7	8	9	10	12	14	16	21	32
UFS32-4,5	230	330	400	440	535	630										
UFS32-10	150	200	250	280	340	400	460	495	520	550	595					
UFS32-14	120	150	190	220	260	320	380	400	425	440	480	510	550			
UFS32-21	60	80	90	115	135	160	190	200	220	230	240	260	270	290	300	
UFS32-32	36	50	62	75	90	105	120	140	150	155	160	170	190	200	230	280



DIMENSIONS (mm)					
MODEL	A	B	ØC	ØD	WEIGHT Kg
UFS32	164	35	67	94	2,1



UFS steam trap fitted to UCX pipeline connector



UFS steam trap fitted to CTS4U compact station

MATERIALS		
POS.Nr.	DESIGNATION	MATERIAL
1	Body	CF8 / 1.4308
2	Cover	AISI304 / 1.4301
3	Valve seat	AISI410 / 1.4006
4	Valve	AISI440C / 1.4125
5	Air vent	Bimetallic
6	Float	AISI301 / 1.4301
7	*Inlet gasket	St.Steel / Graphite
8	*Outlet gasket	St.Steel / Graphite
9	Flange	AISI316 / 1.4401
10	Retainer ring	Steel
11	Bolts	ASTMA193 Gr.B7

* Available spare parts

