

**PIPELINE UNIVERSAL CONNECTORS  
UCX 90  
( Four bolt connector )**

**DESCRIPTION**

The UCX90 series pipeline connectors are used in steam systems where a simplified and economical maintenance program is desired.

Typical installations are drip service on steam lines, tracing and small process equipment.

Four bolt flange connector permits trap replacement in minutes without disturbing the piping.

The UCX90 connector fits the universal swivel connector steam traps with four bolts UBS 90.

Connections are female screwed or flanged on request.



**MAIN FEATURES**

Remains permanently in-line making the replacement of new traps easier and quicker.

Steam traps can swivel 360° allowing any pipe orientation during installation.

The universal flange allows the trap to be positioned in the correct position, regardless of pipeline configuration.

Built-in strainer.

**OPTIONS:** Flanged connections

**USE:** Saturated and superheated steam.

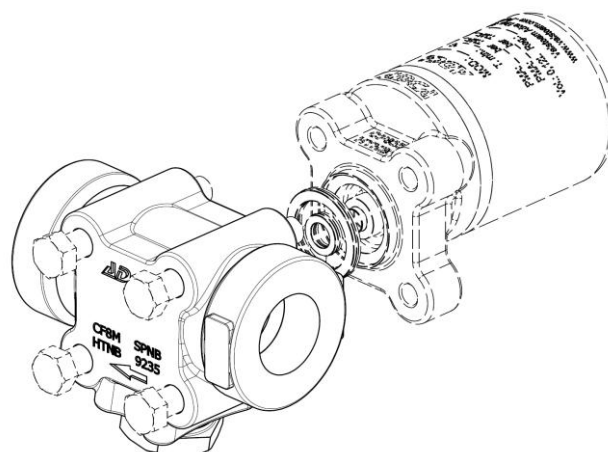
**AVAILABLE**

**MODELS:** UCX90 - Stainless steel construction

**SIZES:** DN 1/2" to DN1"; DN15 to DN25.

**CONNECTIONS:** Female screwed BSP or NPT  
Flanged EN 1092-1 or ANSI  
SW - Socket weld to ANSI B 16.11  
BW - Butt weld to ANSI B16.25

**INSTALLATION:** With the connection face for the swivel connector in a vertical plane.

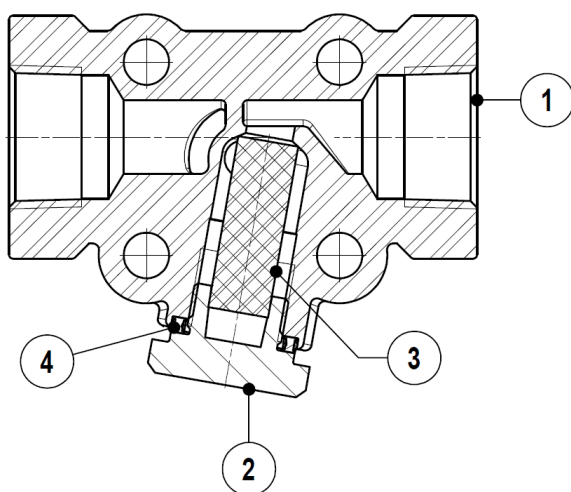
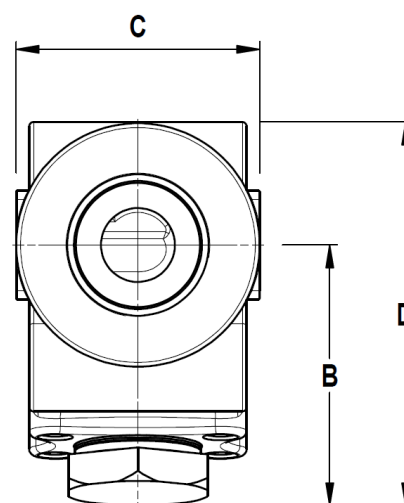
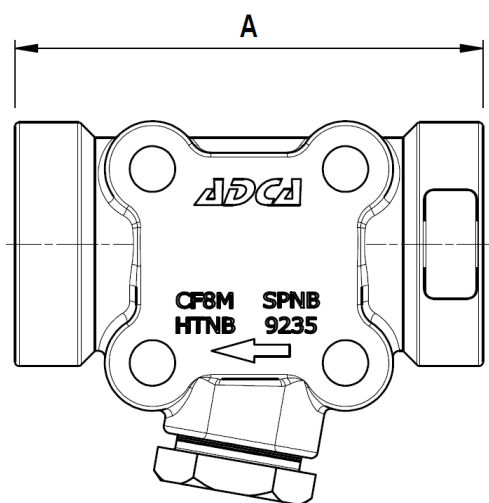


LIMITING CONDITIONS	
UCX 90 - Class 900	
ALLOWABLE PRESSURES	RELATED TEMP.
144,3	-10 /50° C
84,9 bar	482 °C

Can be restricted to lower pressure in case of flanged version with lower rated flanges.

DIMENSIONS (m m)					
Screwed and SW *					
SIZE DN	A	B	C	D	WGT. Kgs
1/2" - 15	108	60	56	89	2
3/4" - 20	108	60	56	89	2
1" - 25	108	60	56	89	2

\* BW (butt weld) and flanged on request.



MATERIALS		
POS.Nr.	DESIGNATION	MATERIAL
1	Body	CF8M / 1.4408
2	Stainer cap	AISI 321 / 1.4541
3	* Strainer screen	AISI304 / 1.4301
4	* Gasket	AISI304 / 1.4301

\* Available spare parts